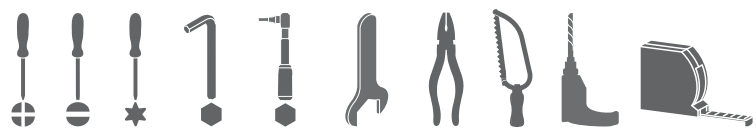


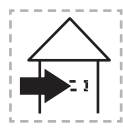
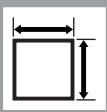
Perlan 140



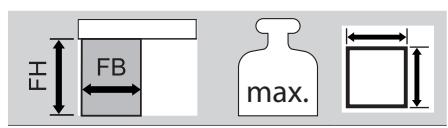
152946-02



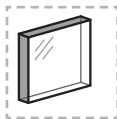
T20 2 mm 4 mm 13 mm
 3 mm 5 mm
 4 mm



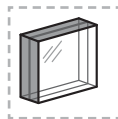
EN 1527
 EN 1670



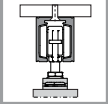


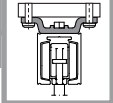


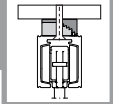


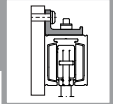


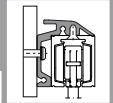


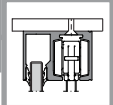


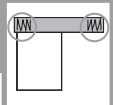


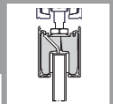





FH / FB ≤ 3 140 kg [mm]



= ESG/TSG
 EN 12150

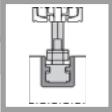


= VSG/LSG
 EN 12543
 2x ESG/TSG

i			
i+ A			
i+ B			
i+ C			
i+ D			
i+ E			
i+ F			
i+ G			
i+ H			

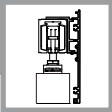
i+

I



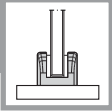
i+

J



i+

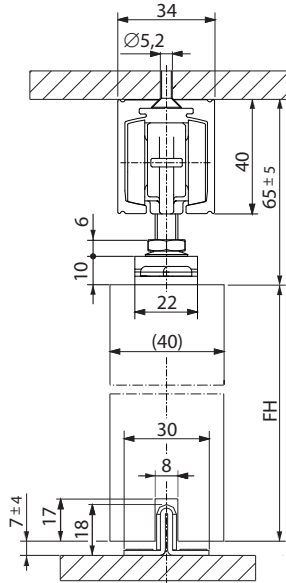
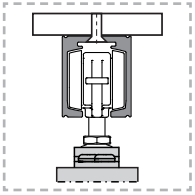
K



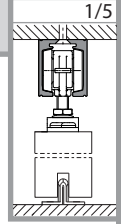
L



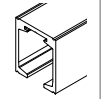
i



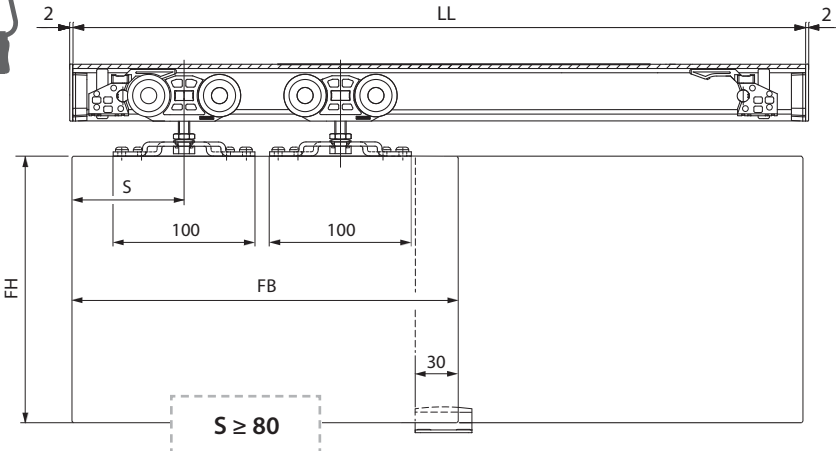
1/5



1

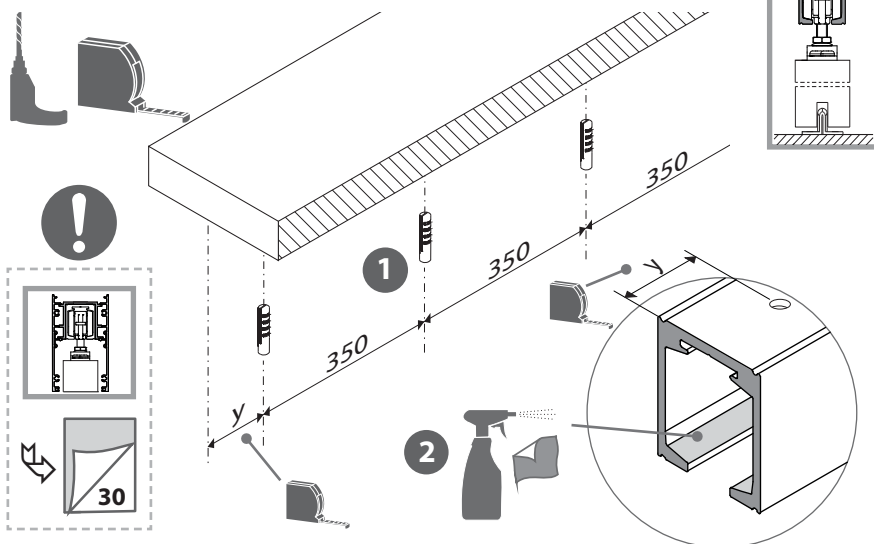


LL = 2 * FB - 30

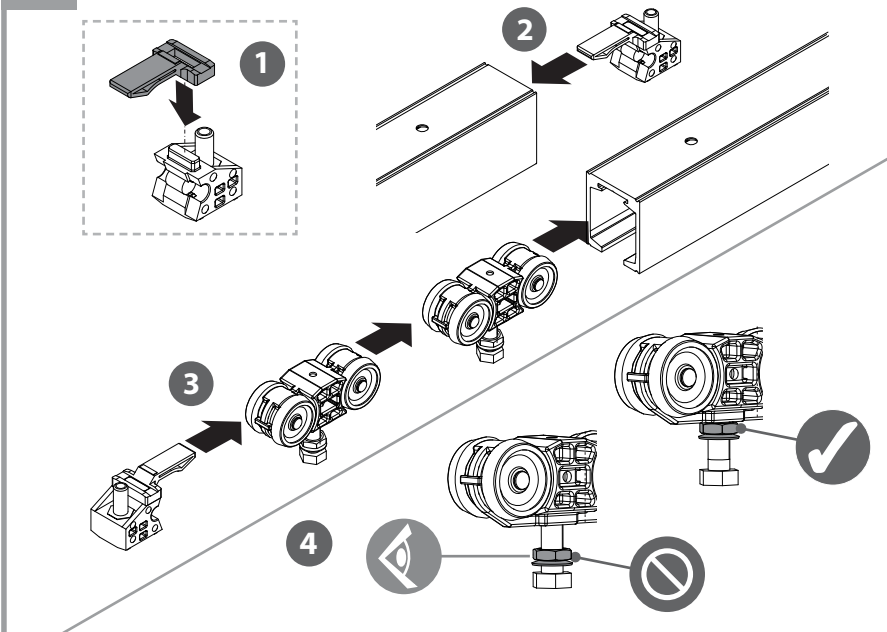


2

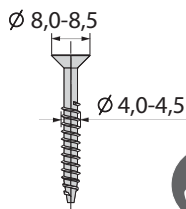
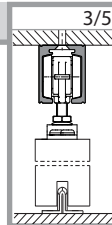
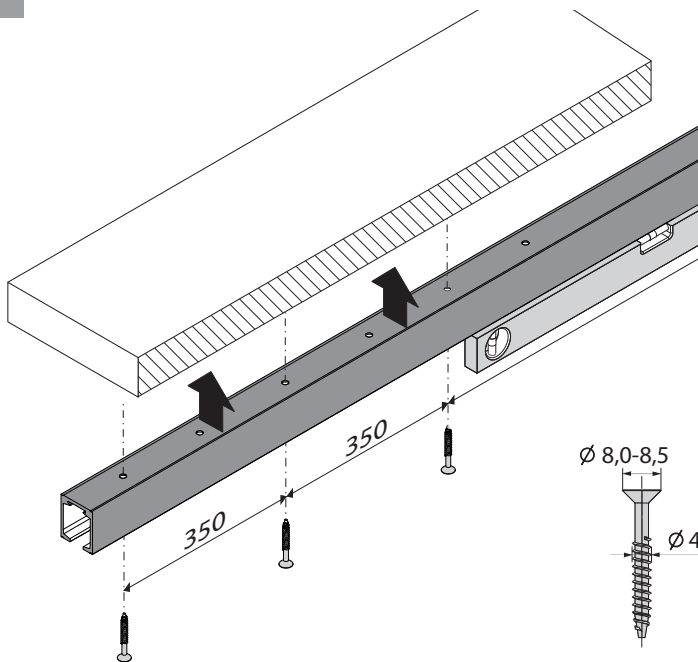
2/5



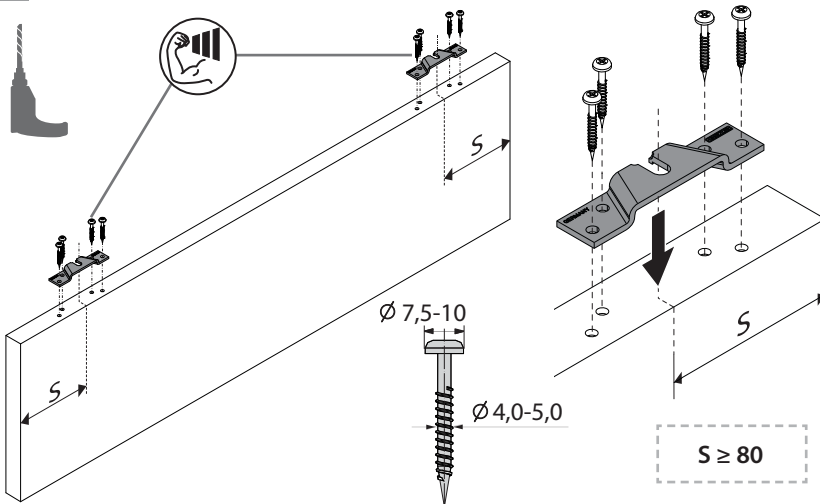
3



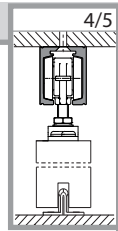
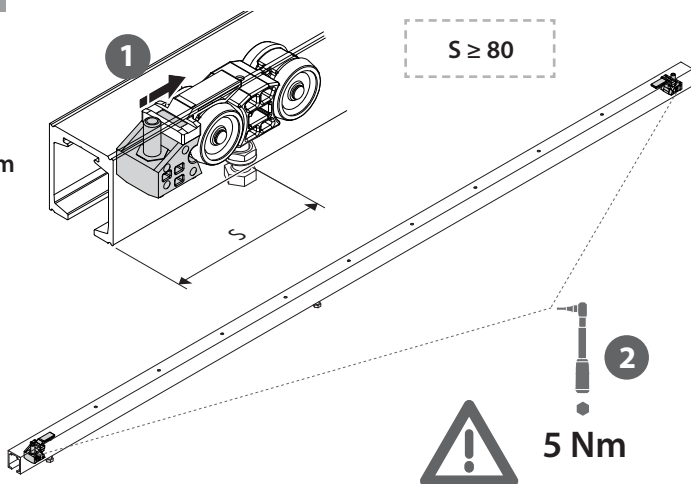
4



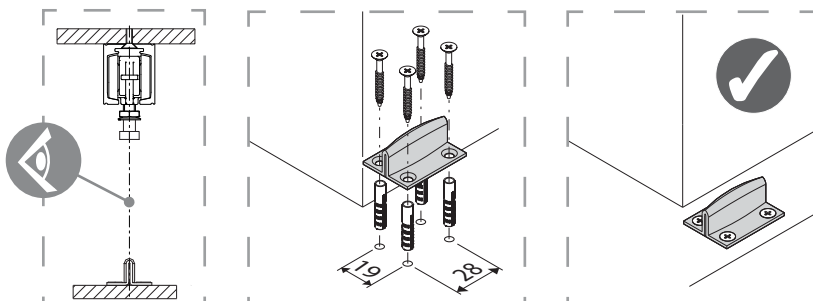
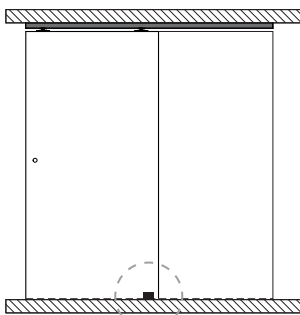
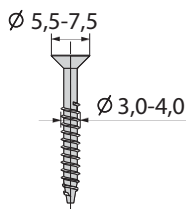
5



6

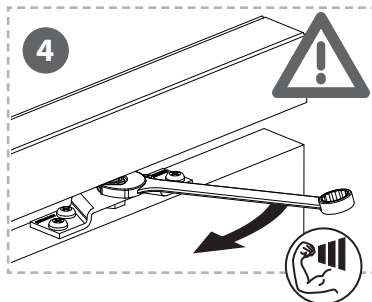
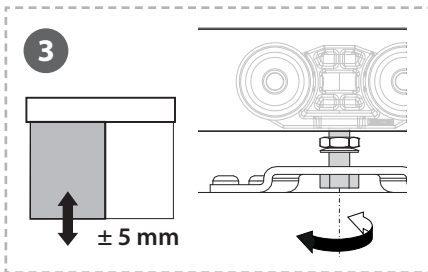
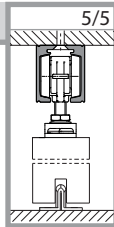
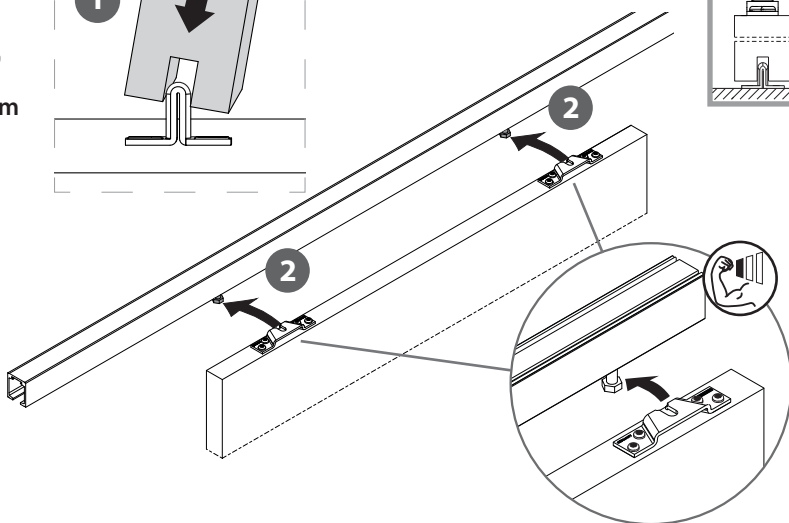
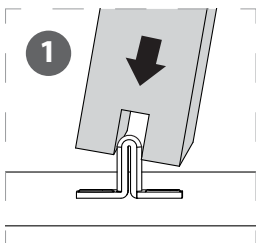


7

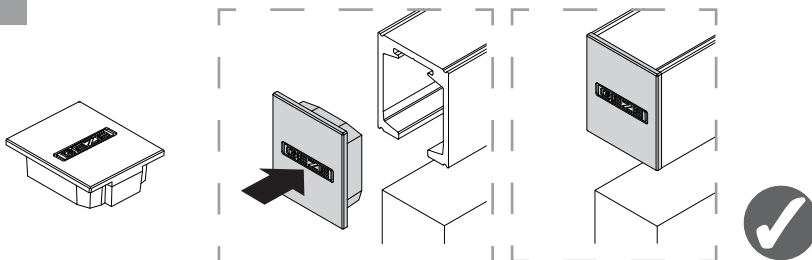


8

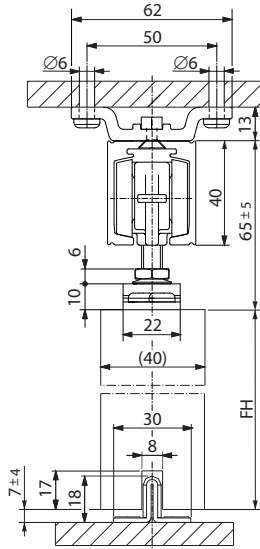
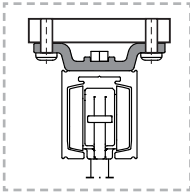
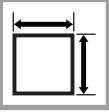
5/5



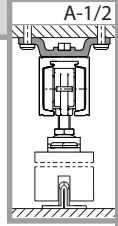
9



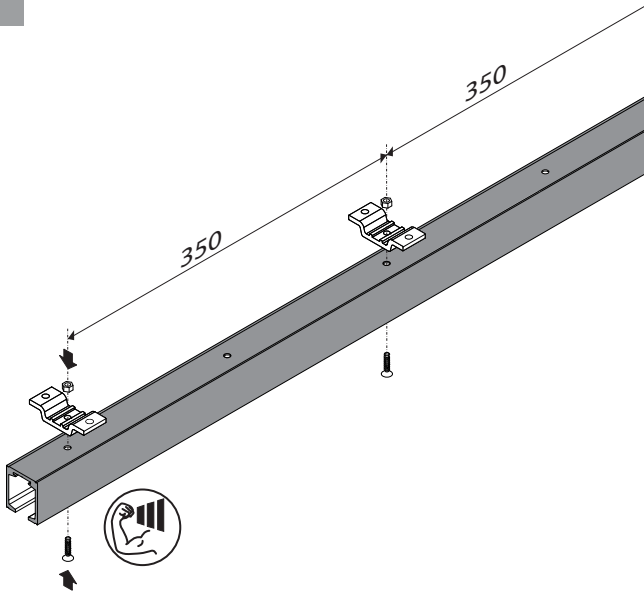
A



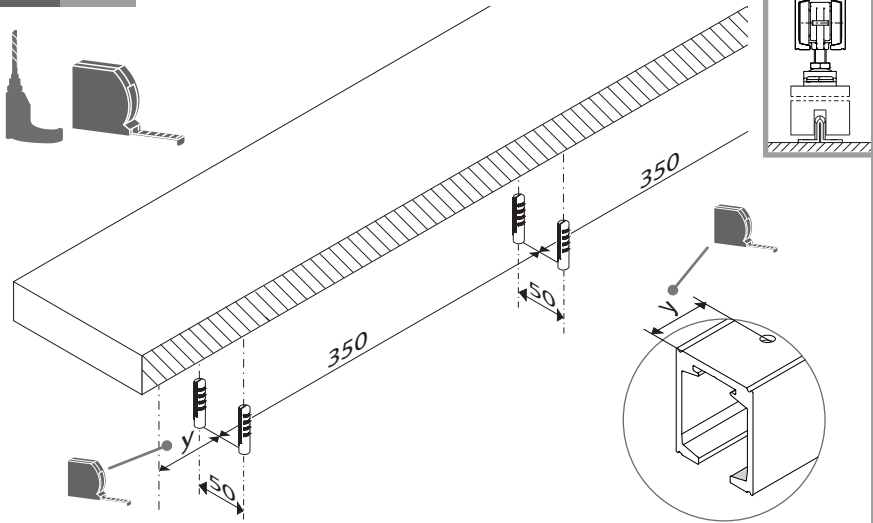
A-1/2



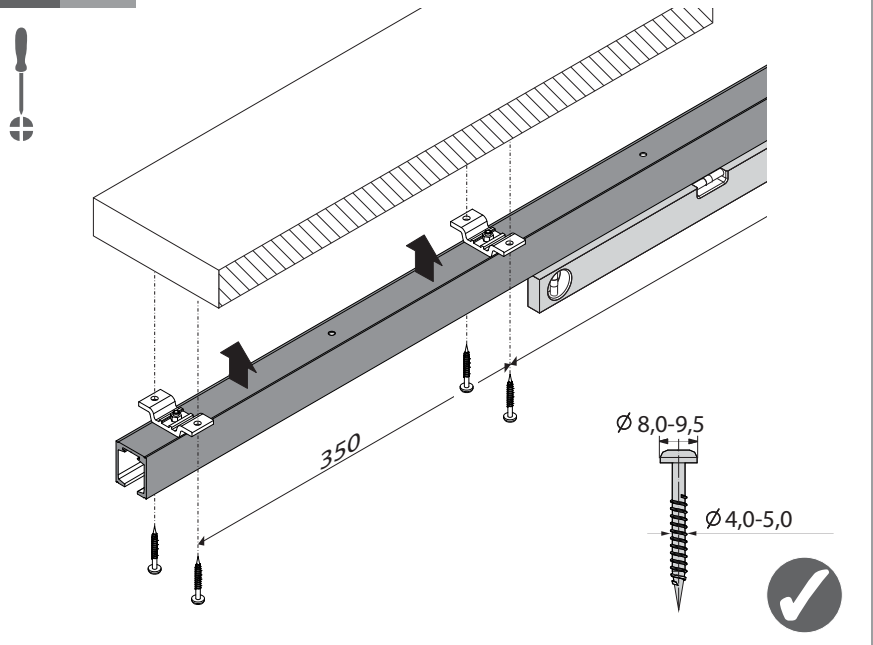
i+ 1

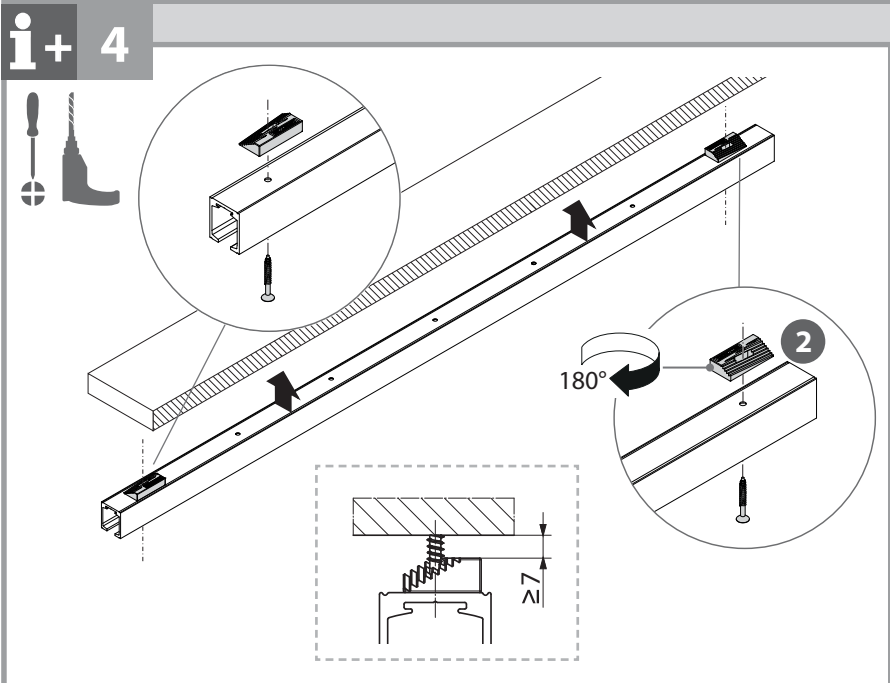
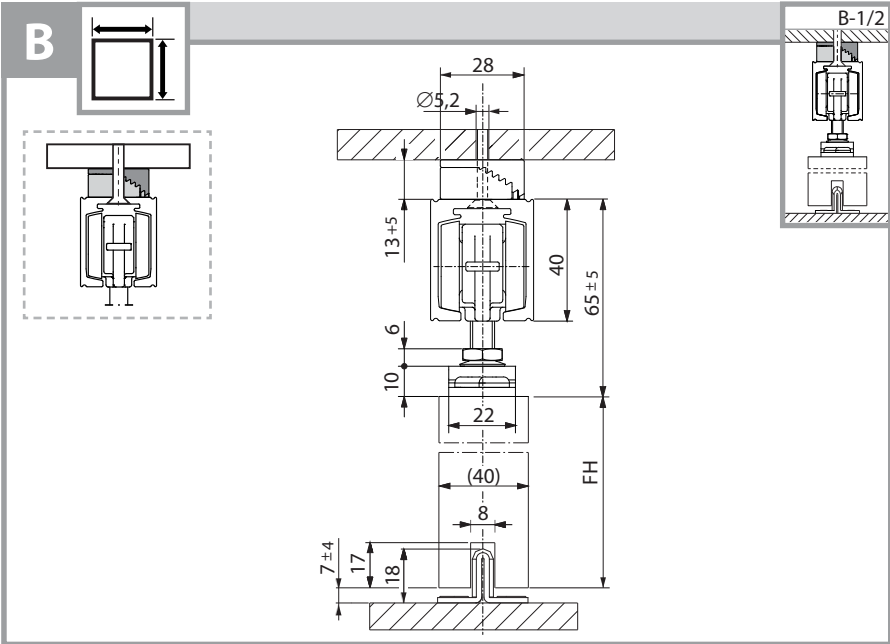


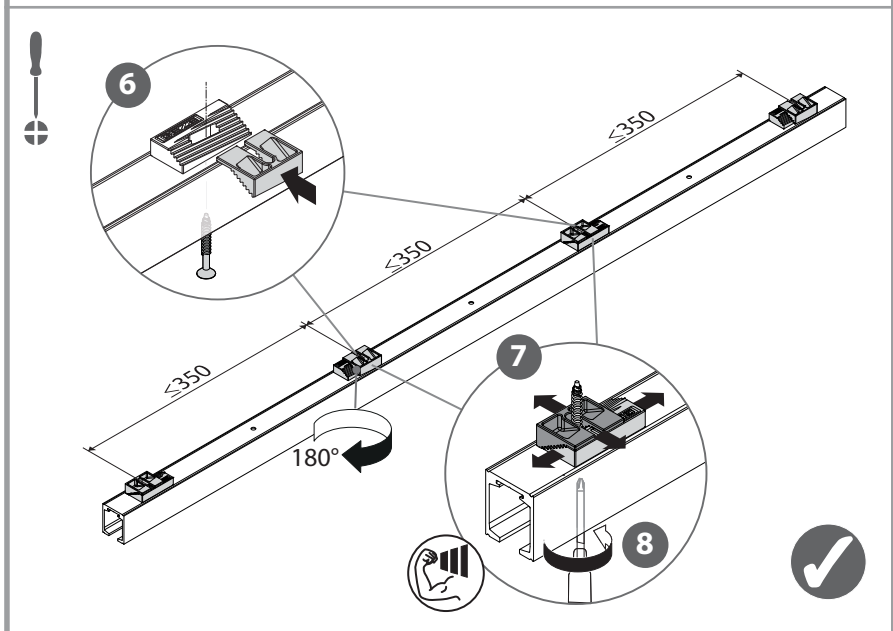
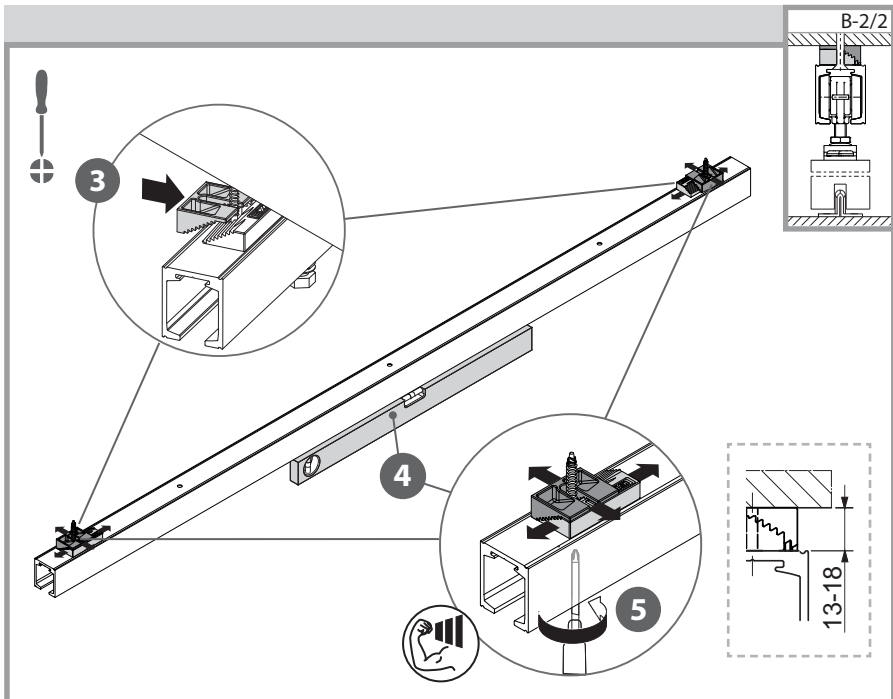
i+ 2

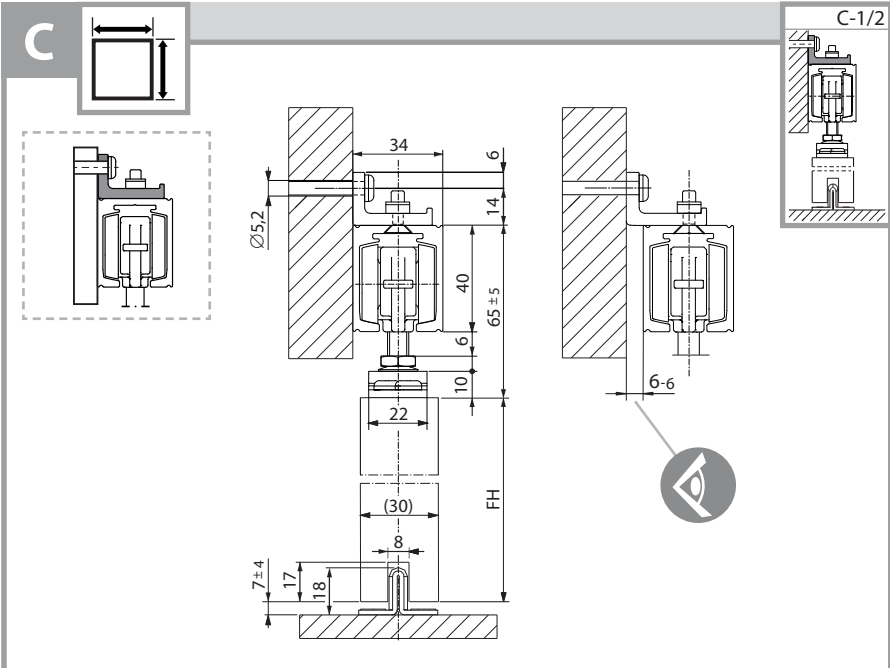


i+ 4

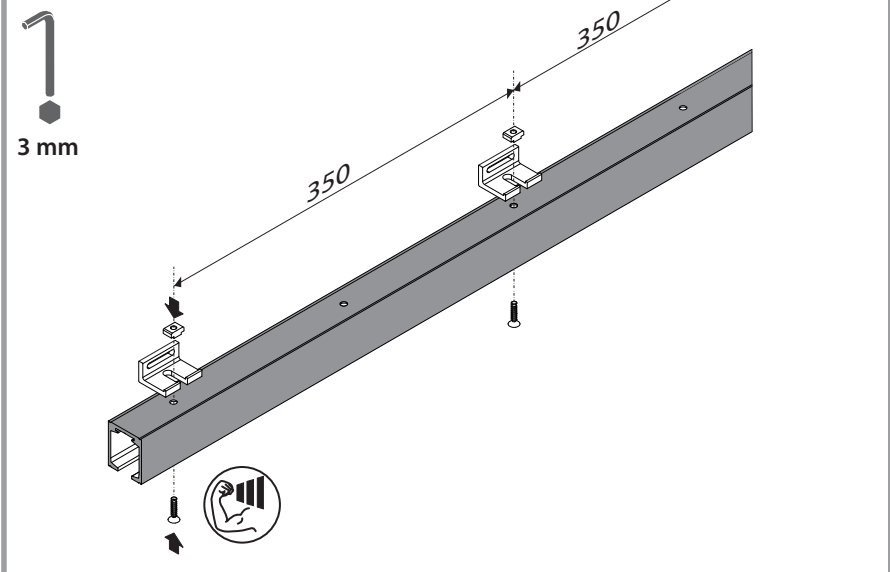




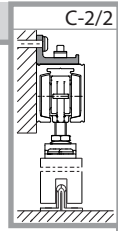
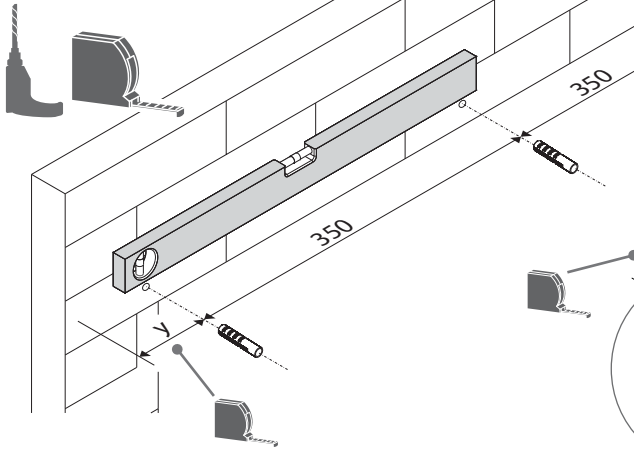




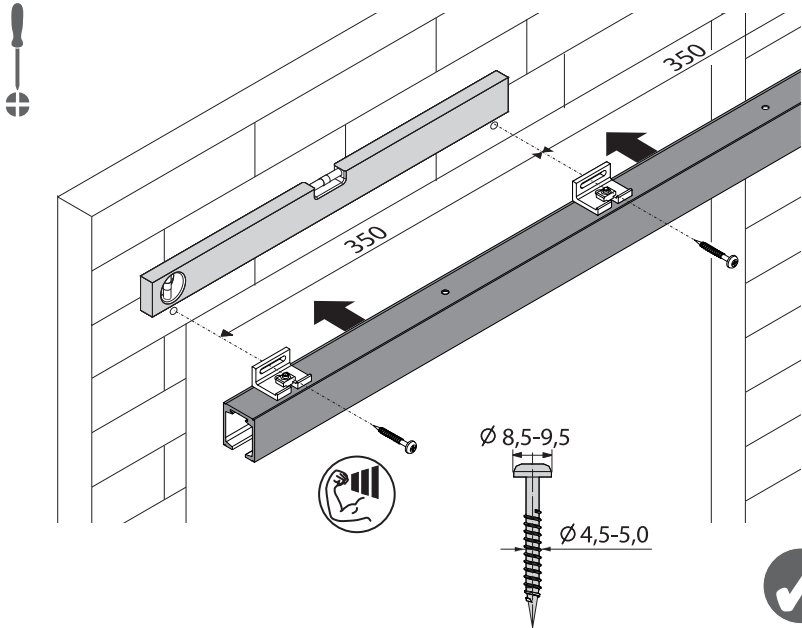
i+ 1

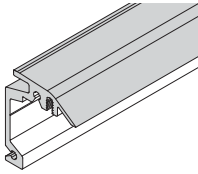
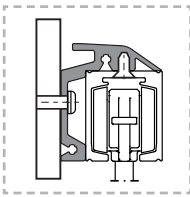
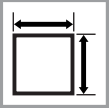
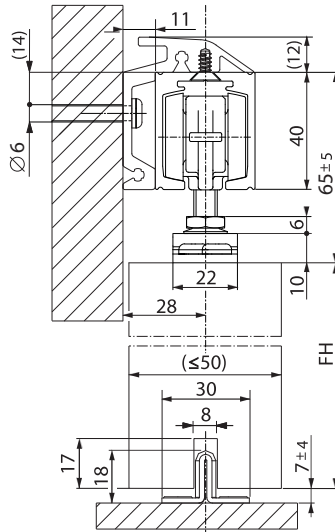
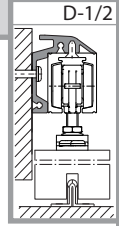
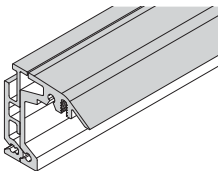
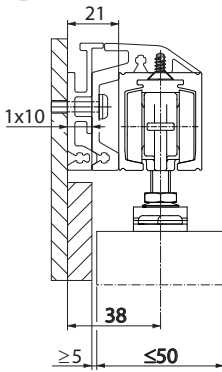
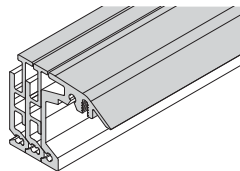
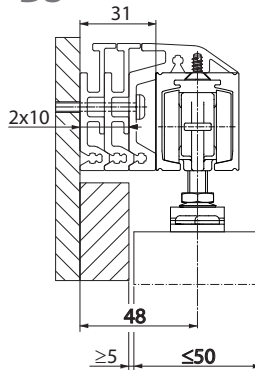
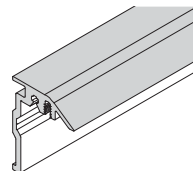
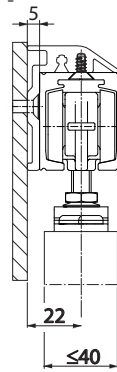


i+ 2



i+ 4



D***D1****D-1/2*****D2*****D3*****D4**

i+ 2

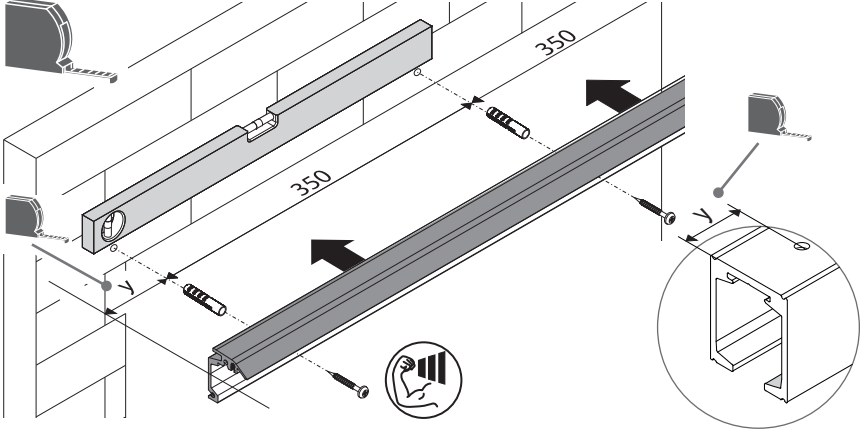
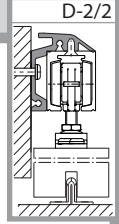


Ø 8,5-9,5 *D1,*D2,*D3

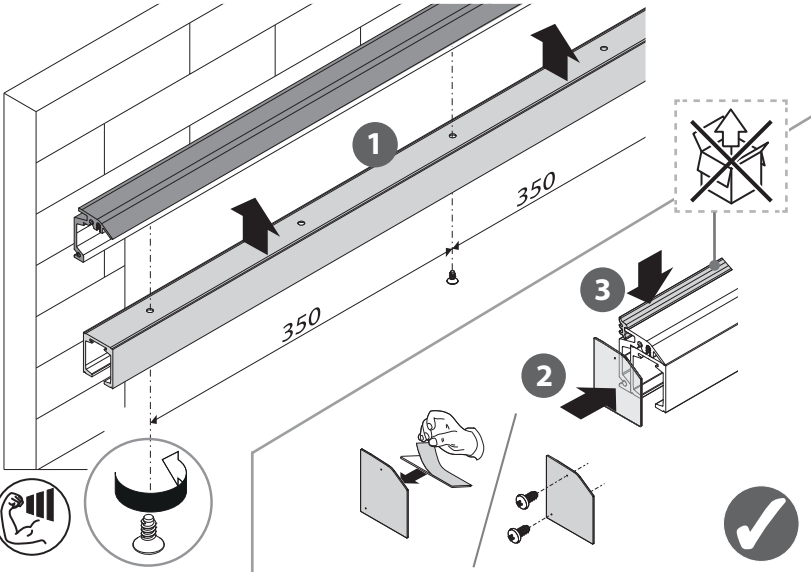
Ø 4,5-5,0

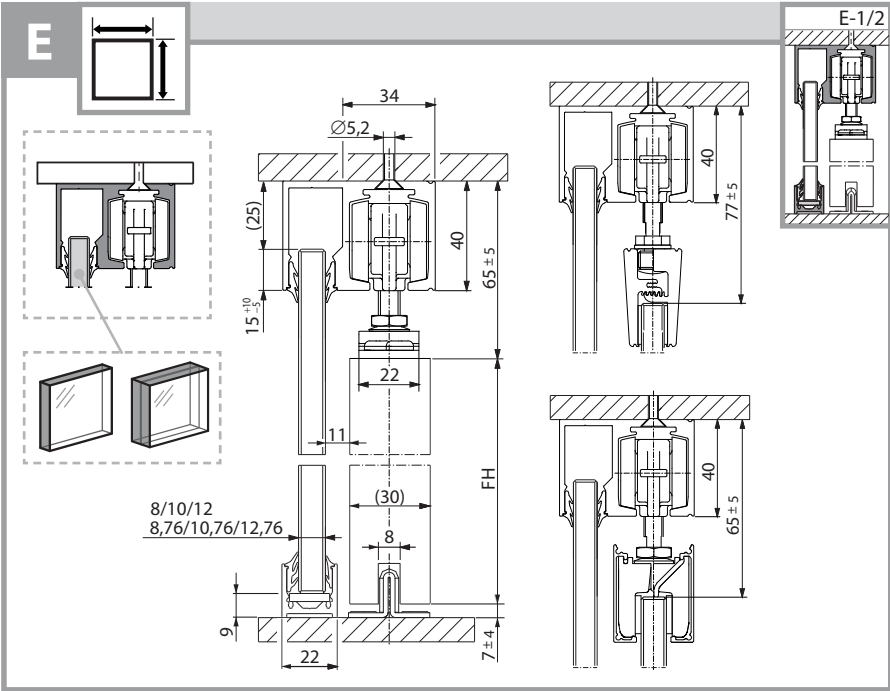
Ø 7,5-9,5 *D4

Ø 4,0-5,0

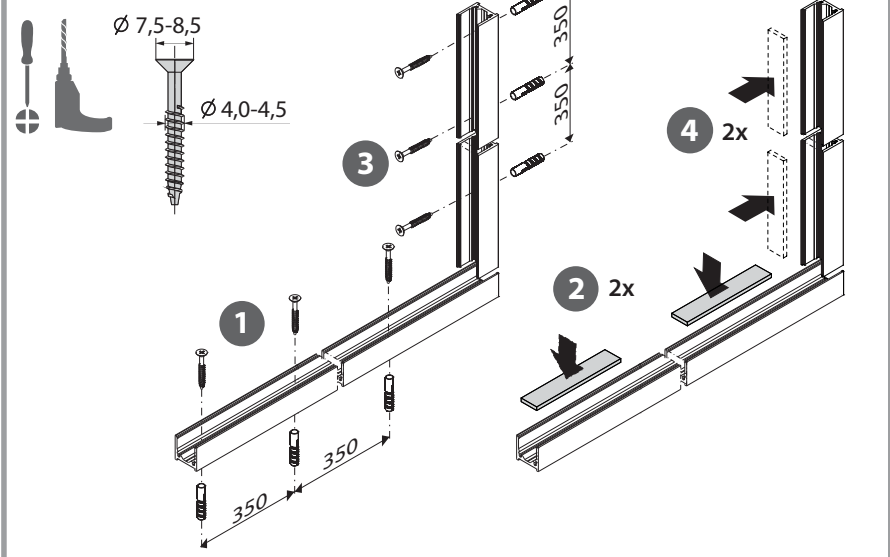


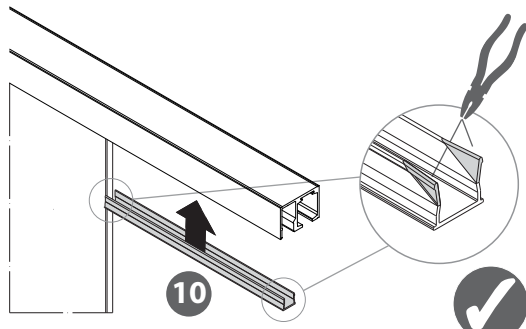
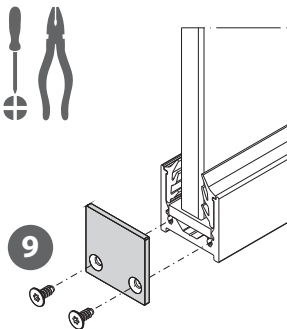
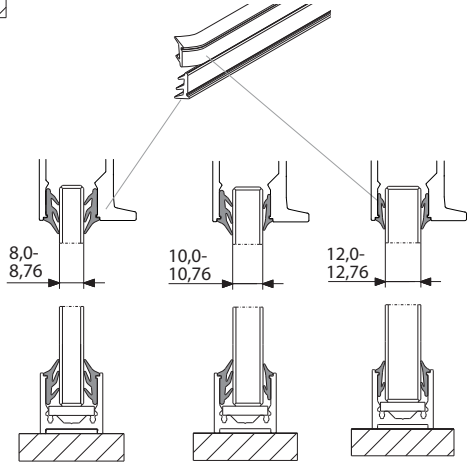
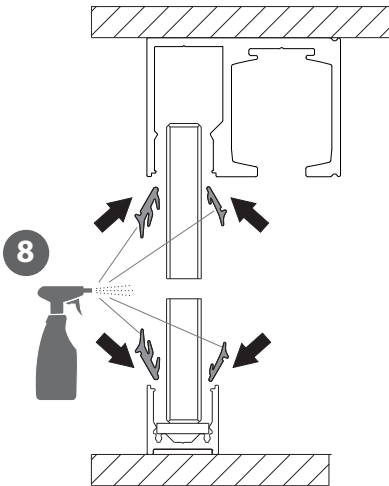
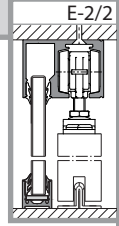
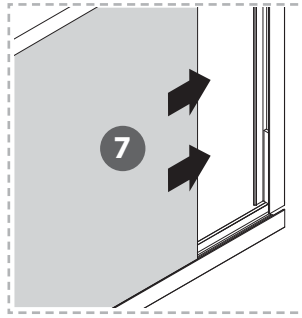
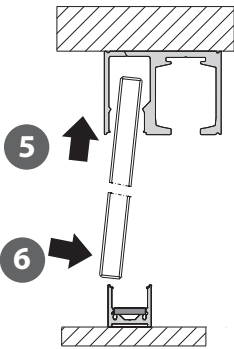
i+ 4 9

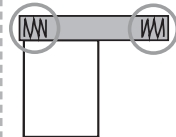
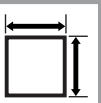




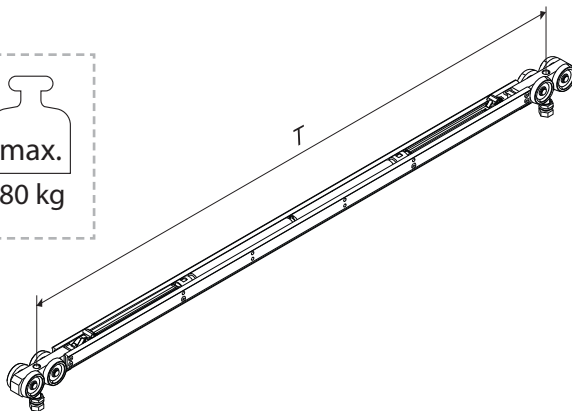
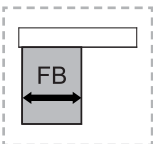
i+ 11



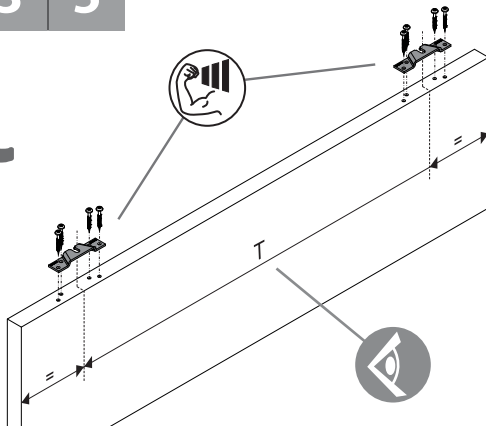
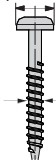


F

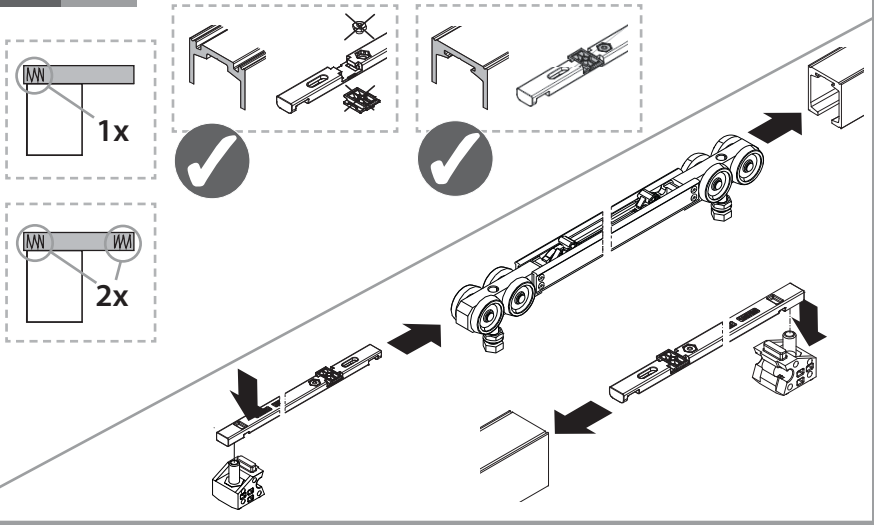
max.
80 kg



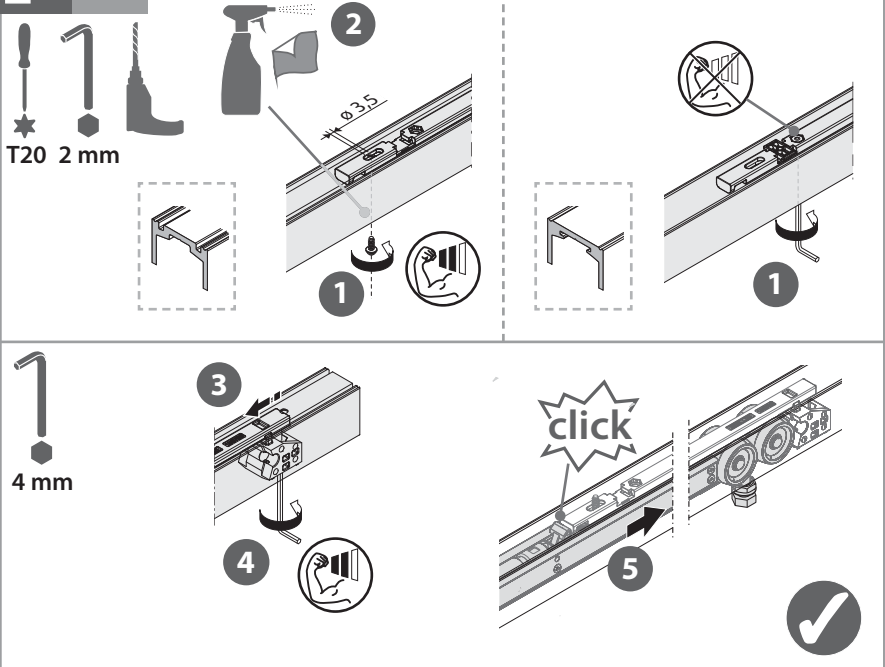
Perlan SoftStop	T	FB				
		F	G	I1	H2	I2
	S1	414	574-900	574-900	614-940	634-960
	M1	740	900-1290	900-1290	940-1330	960-1350
	Duo	624	784-1290	784-1290	824-1330	844-1350
	L2	1130	1290-1700	1290-1700	1330-1700	1350-1700

i+**3****5**
 $\varnothing 7,5-10$
 $\varnothing 4,0-5,0$


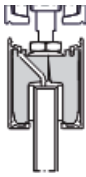
i+ 3



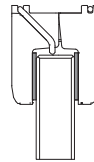
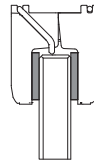
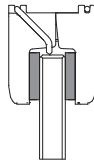
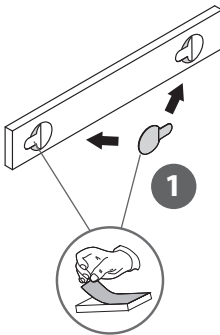
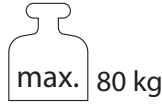
i+ 6



G i+ 5



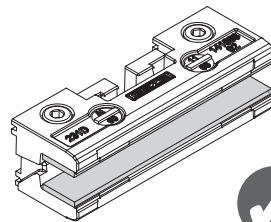
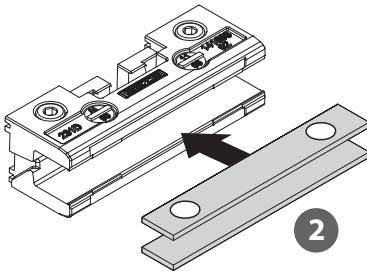
ESG/TSG
EN 12150



2x3 mm
ESG 8

2x2 mm
ESG 10

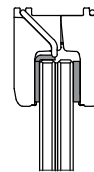
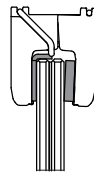
2x1 mm
ESG 12



VSG/LSG
EN 12543
2x ESG/TSG

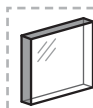


ID 133034

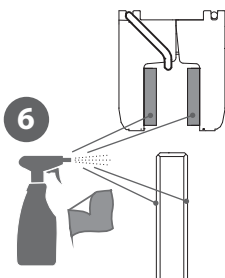
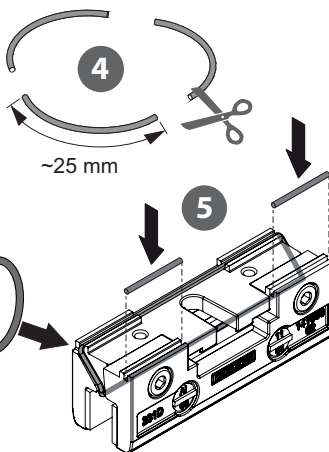


1x L
1x 3 mm
VSG 8,76

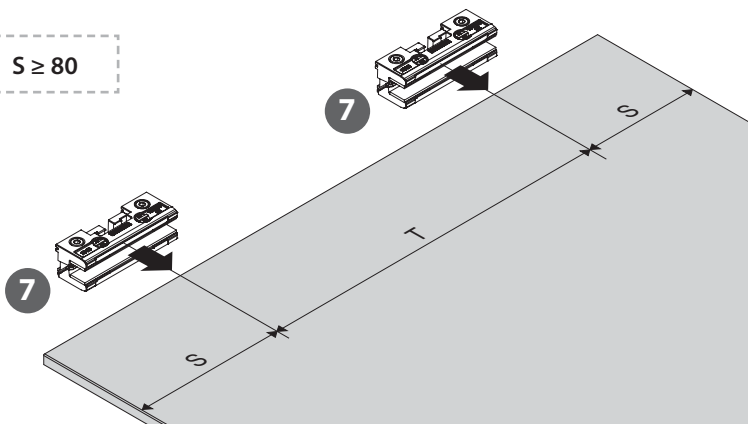
1x L
1x 2 mm
VSG 10,76



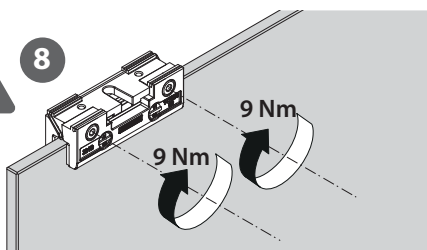
ESG/TSG
EN 12150



$S \geq 80$



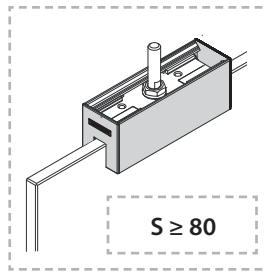
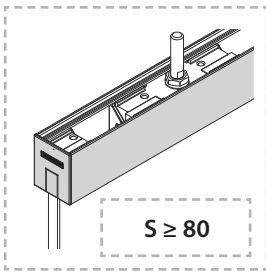
8



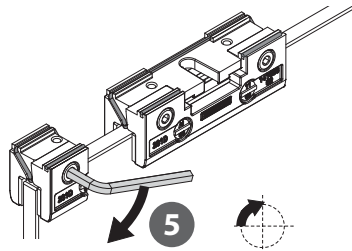
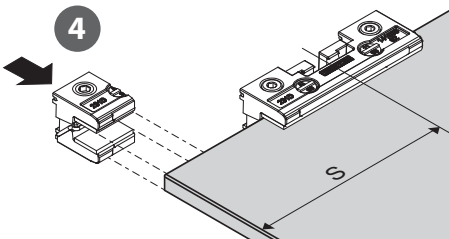
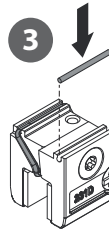
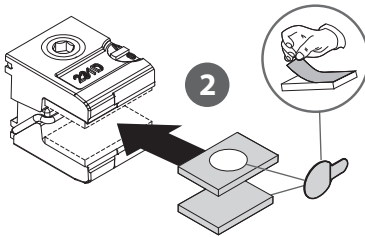
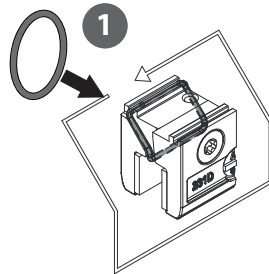
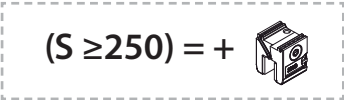
T =



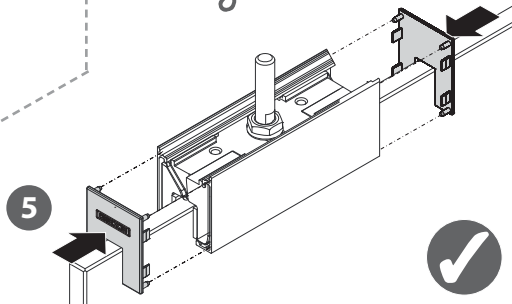
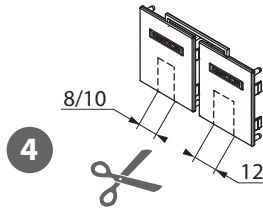
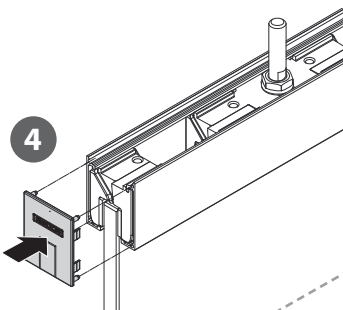
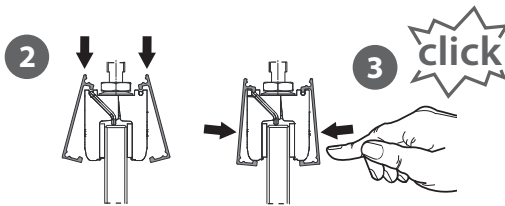
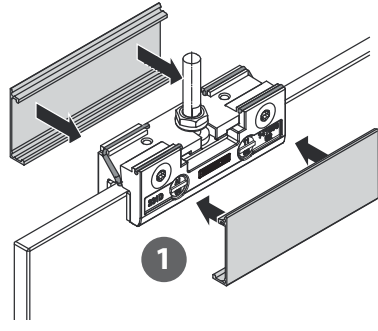
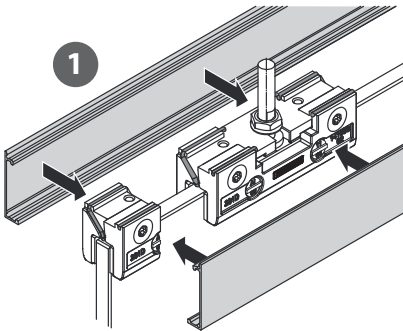
i+



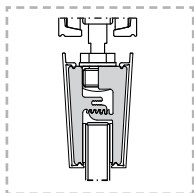
i+ 5



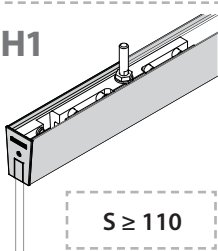
i+ 8



H i+

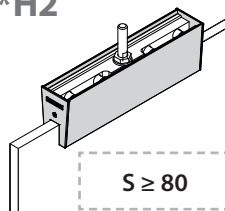


*H1



$S \geq 110$

*H2



$S \geq 80$

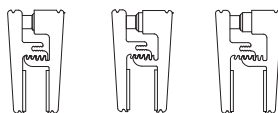
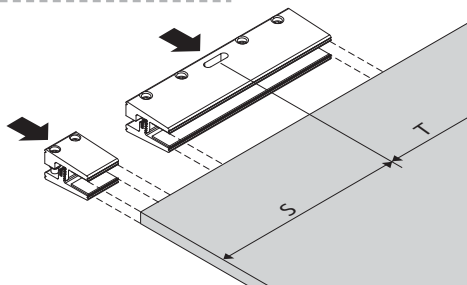
i+ 2



ESG/TSG
EN 12150



*H1 = +



ESG 8

ESG 10

ESG 12

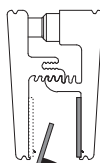
T =



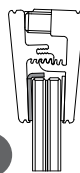
VSG/LSG
EN 12543
2x ESG/TSG



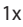
ID 133034

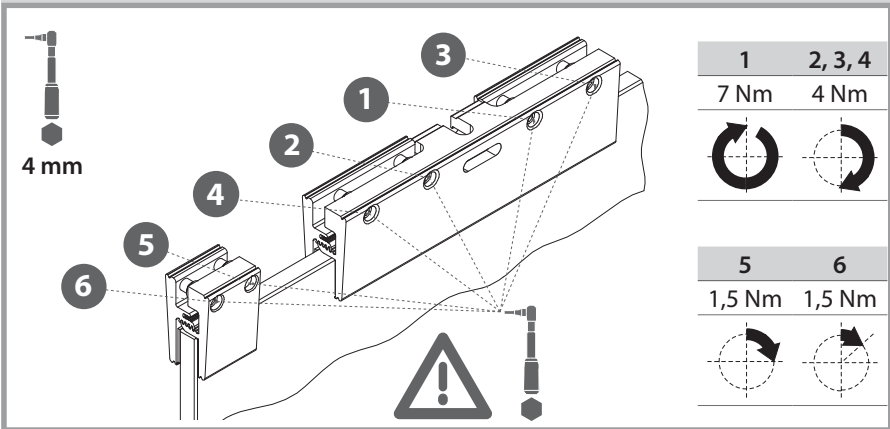


1

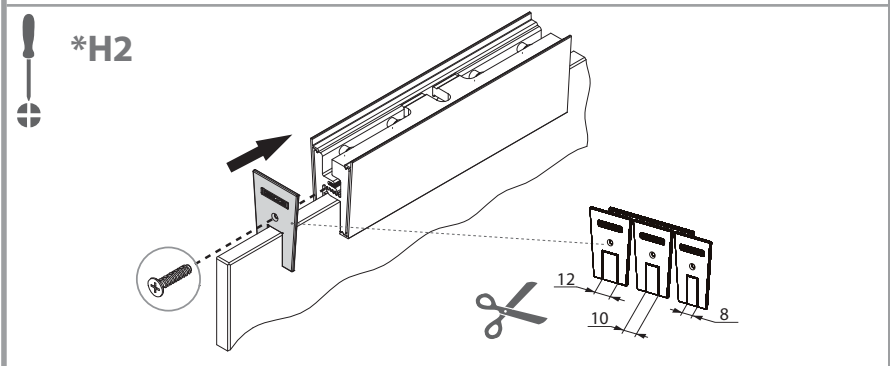
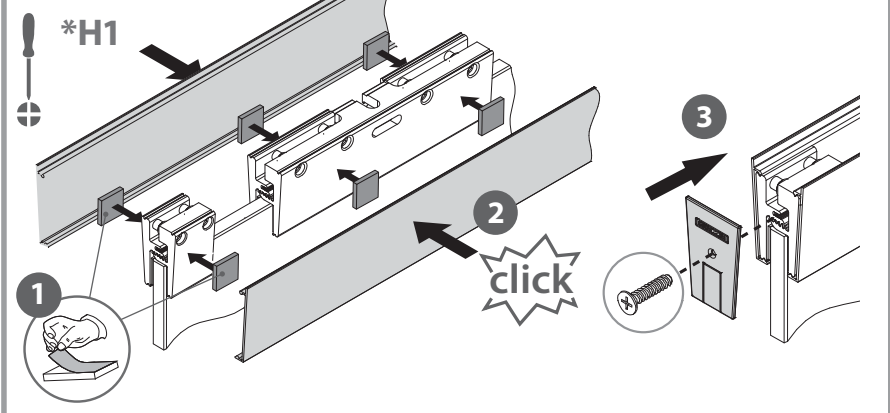


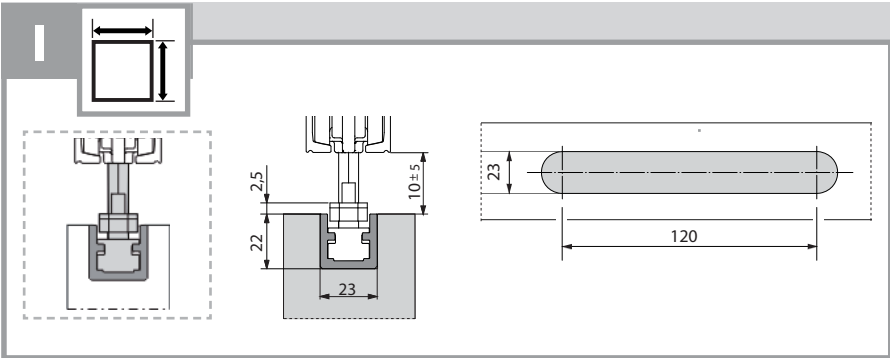
2

1x  / 1x 1 mm
VSG 8,76/10,76/
12,76



i+ 8

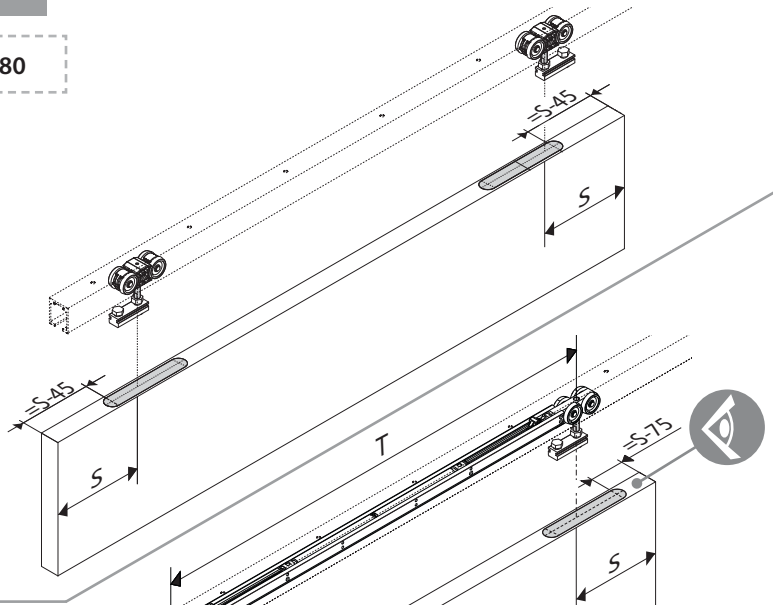




i+ 2

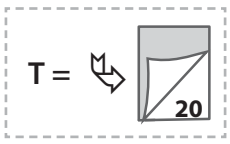
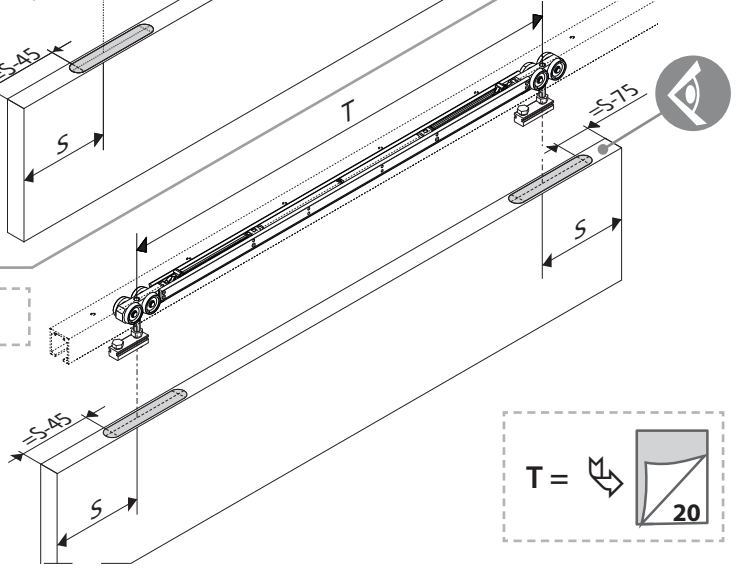
$S \geq 80$

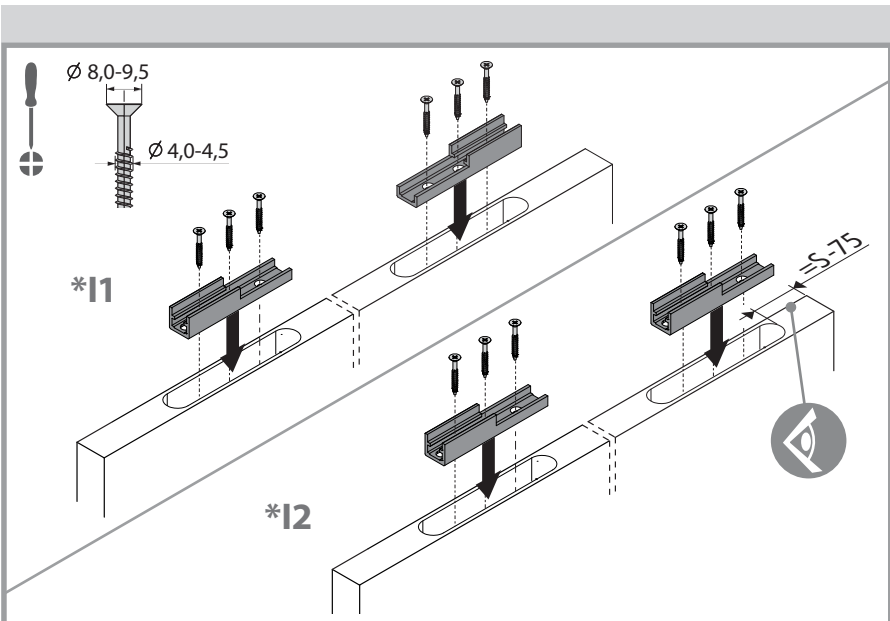
***I1**



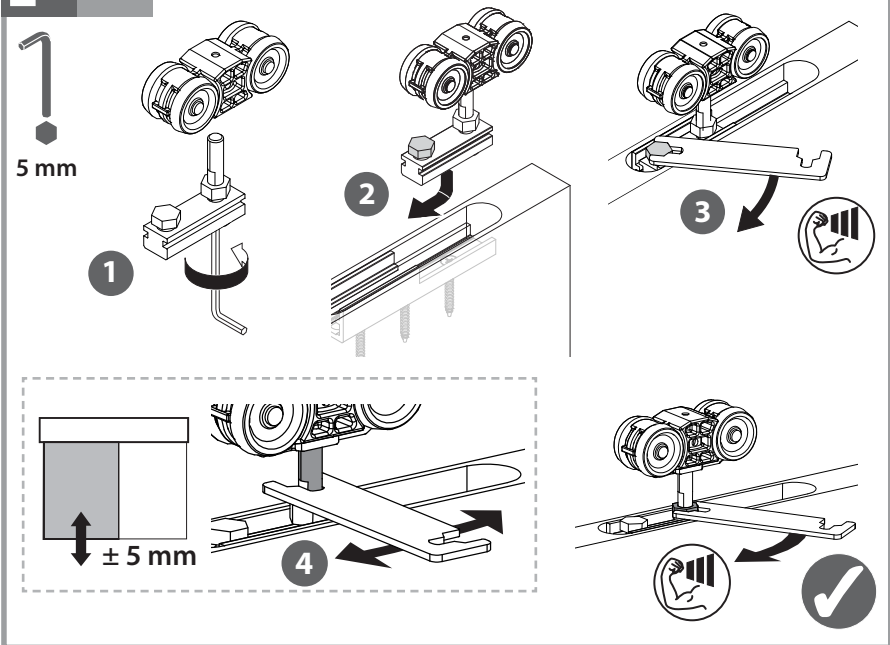
$S \geq 100$

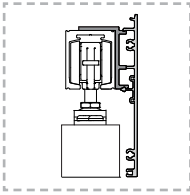
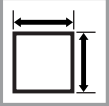
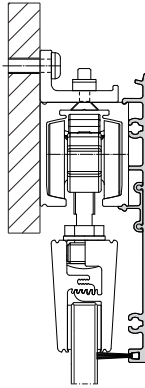
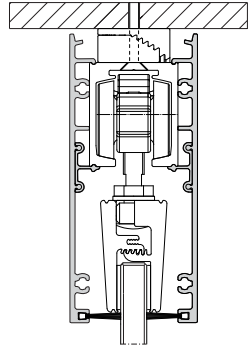
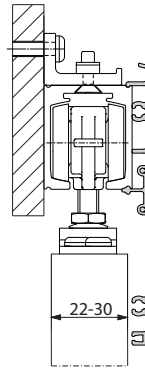
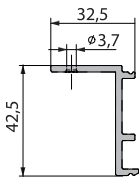
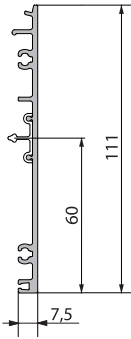
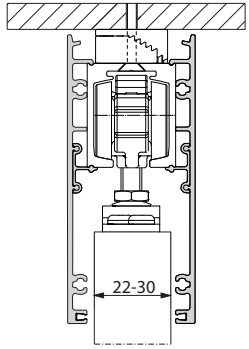
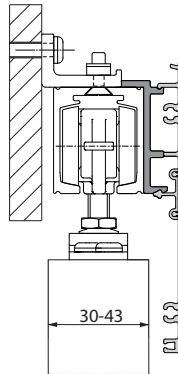
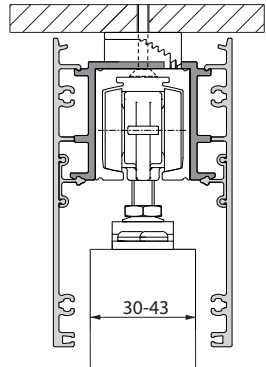
***I2**





i+ 7

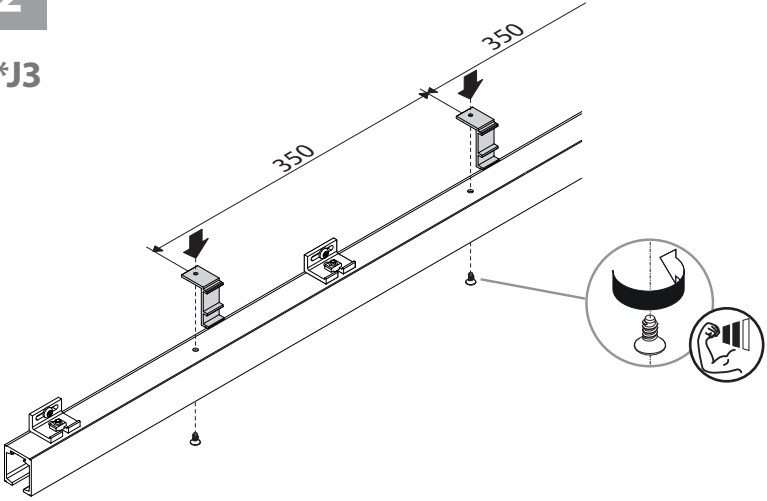


J***J1*****J4*****J2*****J5*****J3*****J6**

i+ 2

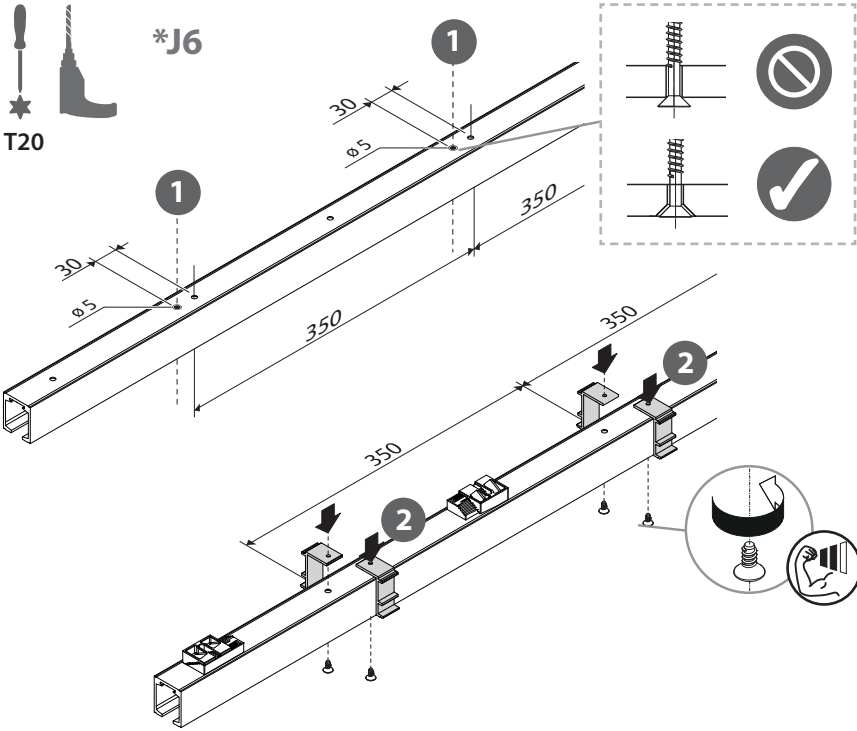
!
★
T20

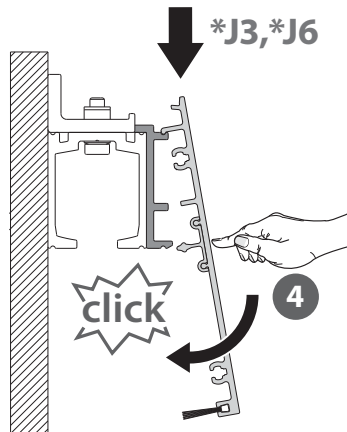
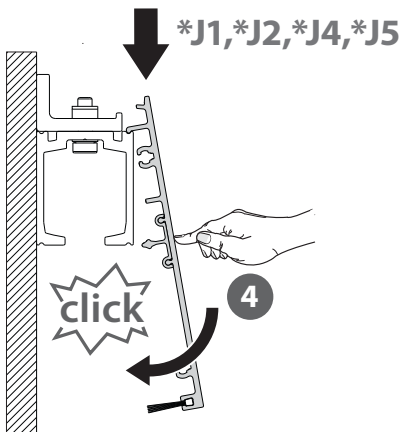
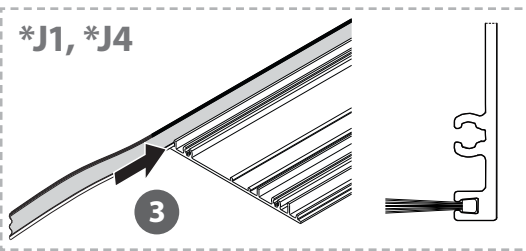
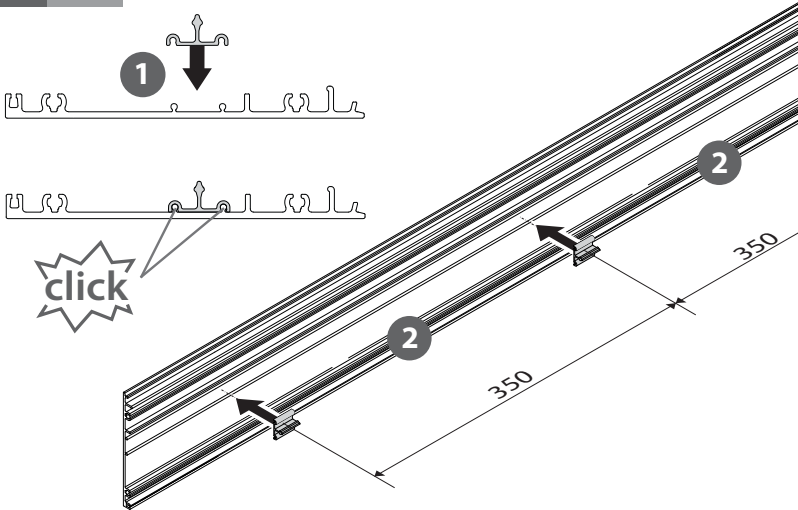
*J3



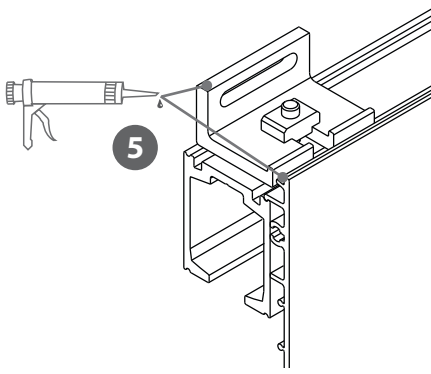
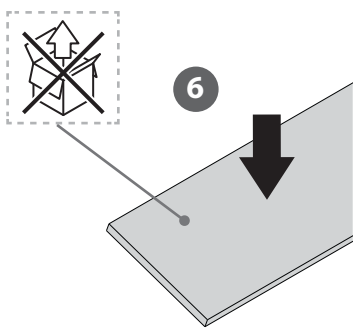
!
★
T20

*J6

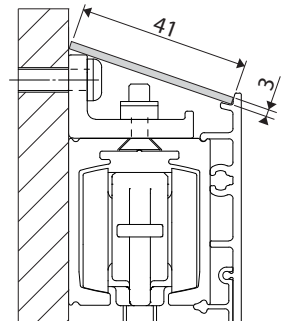




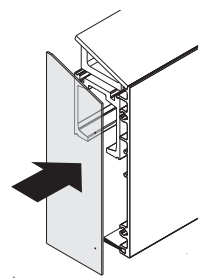
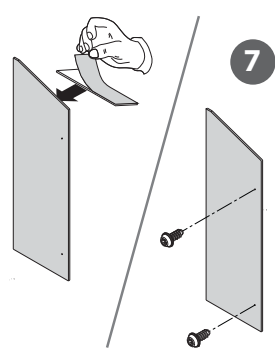
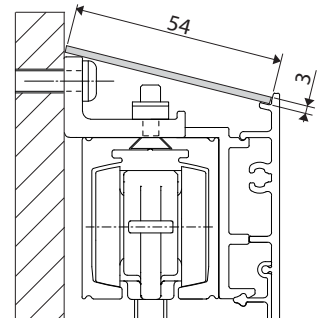
!
★
T20



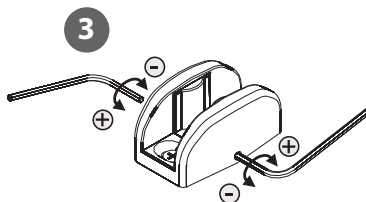
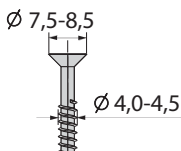
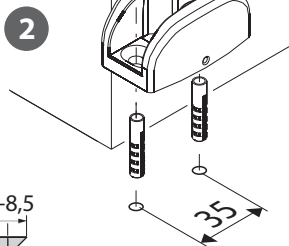
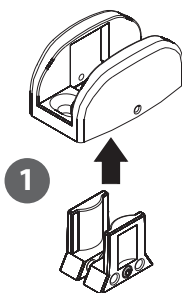
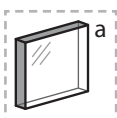
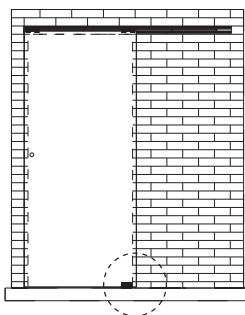
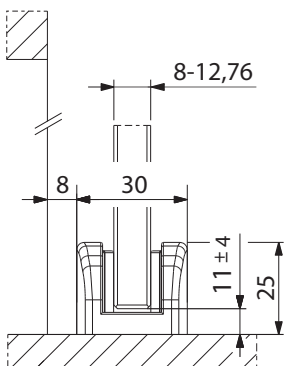
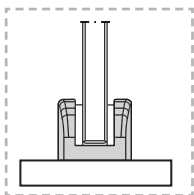
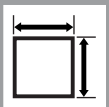
*J1,*J2



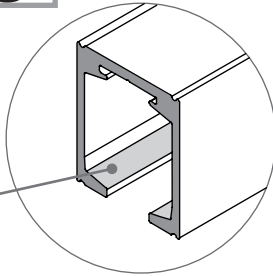
*J3



K



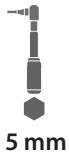
L



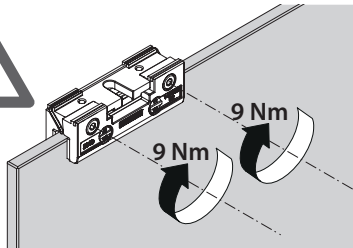
1x



i+ G



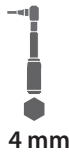
5 mm



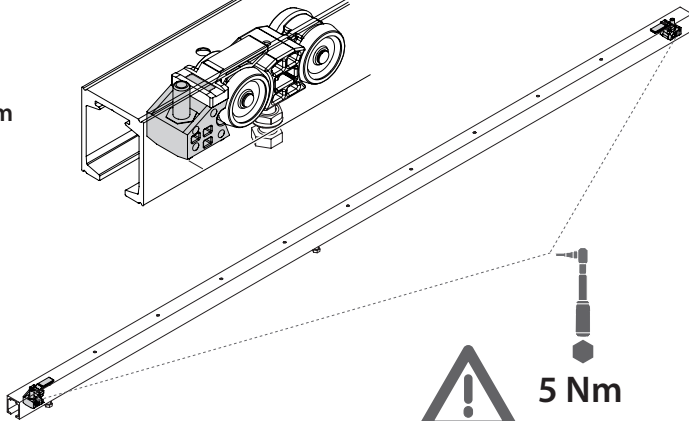
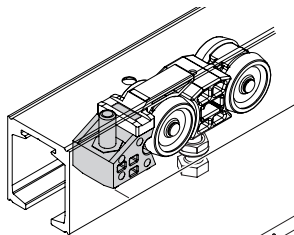
9 Nm

9 Nm

i+ I



4 mm



5 Nm

Germany

GEZE Sonderkonstruktionen GmbH
Planken 1
97944 Boxberg-Schweigern
Tel. +49 (0) 7930-9294-0
Fax +49 (0) 7930-9294-10
E-Mail: sk.de@geze.com
GEZE GmbH
Niederlassung Süd-West
Tel. +49 (0) 7152-203-594
E-Mail: leonberg.de@geze.com
GEZE GmbH
Niederlassung Süd-Ost
Tel. +49 (0) 89-120 07 42-50
E-Mail: garching.de@geze.com
GEZE GmbH
Niederlassung Ost
Tel. +49 (0) 30-47 89 90-0
E-Mail: berlin.de@geze.com
GEZE GmbH
Niederlassung Mitte/Luxemburg
Tel. +49 (0) 6171-63610-0
E-Mail: frankfurt.de@geze.com
GEZE GmbH
Niederlassung West
Tel. +49 (0) 201-83082-0
E-Mail: essen.de@geze.com
GEZE GmbH
Niederlassung Nord
Tel. +49 (0) 40-2 19 07 16-13
E-Mail: hamburg.de@geze.com
GEZE Service GmbH
Tel. +49 (0) 18 02/92 33 92
E-Mail: service-info.de@geze.com

Austria

GEZE Austria
E-Mail: austria.at@geze.com
www.geze.at

Baltic States

GEZE GmbH Baltic States office
E-Mail: office-latvia@geze.com
www.geze.com

Benelux

GEZE Benelux B.V.
E-Mail: benelux.nl@geze.com
www.geze.be
www.geze.nl

Bulgaria

GEZE Bulgaria - Trade
E-Mail: office-bulgaria@geze.com
www.geze.bg

China

GEZE Industries (Tianjin) Co., Ltd.
E-Mail: Sales-info@geze.com.cn
www.geze.com.cn

GEZE Industries (Tianjin) Co., Ltd.
Branch Office Shanghai
E-Mail: chinasales@geze.com.cn
www.geze.com.cn

GEZE Industries (Tianjin) Co., Ltd.
Branch Office Guangzhou
E-Mail: chinasales@geze.com.cn
www.geze.com.cn

GEZE Industries (Tianjin) Co., Ltd.
Branch Office Beijing
E-Mail: chinasales@geze.com.cn
www.geze.com.cn

France

GEZE France S.A.R.L.
E-Mail: france.fr@geze.com
www.geze.fr

Hungary

GEZE Hungary Kft.
E-Mail: office-hungary@geze.com
www.geze.hu

Iberia

GEZE Iberia S.R.L.
E-Mail: info@geze.es
www.geze.es

India

GEZE India Private Ltd.
E-Mail: office-india@geze.com
www.geze.in

Italy

GEZE Italia S.r.l
E-Mail: italia.it@geze.com
www.geze.it

GEZE Engineering Roma S.r.l
E-Mail: roma@geze.biz
www.geze.it

Poland

GEZE Polska Sp.z o.o.
E-Mail: geze.pl@geze.com
www.geze.pl

Romania

GEZE Romania S.R.L.
E-Mail: office-romania@geze.com
www.geze.ro

Russia

OOO GEZE RUS
E-Mail: office-russia@geze.com
www.geze.ru

Scandinavia – Sweden

GEZE Scandinavia AB
E-Mail: sverige.se@geze.com
www.geze.se

Scandinavia – Norway

GEZE Scandinavia AB avd. Norge
E-Mail: norge.se@geze.com
www.geze.no

Scandinavia – Denmark

GEZE Danmark
E-Mail: danmark.se@geze.com
www.geze.dk

Singapore

GEZE (Asia Pacific) Pte, Ltd.
E-Mail: gezesea@geze.com.sg
www.geze.com

South Africa

GEZE Distributors (Pty) Ltd.
E-Mail: info@gezesa.co.za
www.geze.co.za

Switzerland

GEZE Schweiz AG
E-Mail: schweiz.ch@geze.com
www.geze.ch

Turkey

GEZE Kapi ve Pencere Sistemleri
E-Mail: office-turkey@geze.com
www.geze.com

Ukraine

GEZE Ukraine TOV
E-Mail: office-ukraine@geze.com
www.geze.ua

United Arab Emirates/GCC

GEZE Middle East
E-Mail: geze@emirates.net.ae
www.geze.ae

United Kingdom

GEZE UK Ltd.
E-Mail: info.uk@geze.com
www.geze.com

GEZE GmbH

Reinhold-Vöster-Straße 21–29
71229 Leonberg
Germany

Tel.: 0049 7152 203-0
Fax: 0049 7152 203-310
www.geze.com

