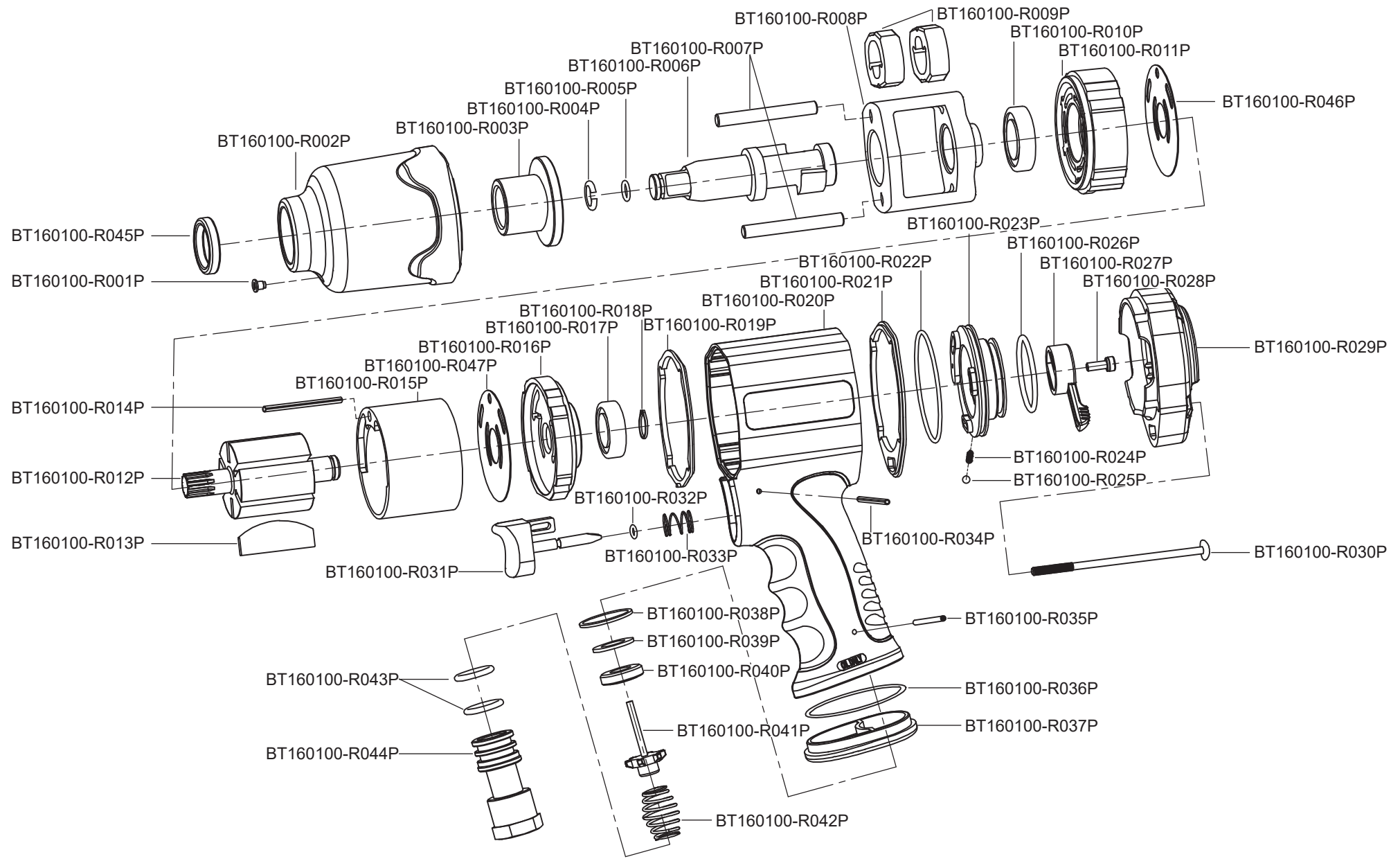


Art. BT160100



Art. BT160100

Art.-Nr.	Description	Beschreibung	Menge Qty.
BT160100-R001P	Hammer case grease fitting	Schmiernippel	1
BT160100-R002P	Hammer Case	Hammergehäuse	1
BT160100-R003P	Hammer case bushing	Laufbuchse	1
BT160100-R004P	Socket retainer	Stecknusshaltering	1
BT160100-R005P	O-ring	O-Ring für Antriebs 4kant	1
BT160100-R006P	Anvil	Amboss	1
BT160100-R007P	Hammer frame pin	Arretierungsstift	2
BT160100-R008P	Hammer frame	Hammerkäfig	1
BT160100-R009P	Hammer	Hammer	2
BT160100-R010P	Bearing	Kugellager	1
BT160100-R011P	Front end plate	Vordere Verschlussplatte	1
BT160100-R012P	Rotor	Rotor	1
BT160100-R013P	Rotor blade	Rotorblatt	6
BT160100-R014P	Pin	Pin	1
BT160100-R015P	Cylinder	Rotorgehäuse	1
BT160100-R016P	Rear end plate	Verschlussplatte	1
BT160100-R017P	Bearing	Kugellager	1
BT160100-R018P	Front gasket	Vordere Dichtung	1
BT160100-R019P	Seal	Dichtungsring	1
BT160100-R020P	Housing	Gehäuse	1
BT160100-R021P	Rear seal	Hinterere Dichtung	1
BT160100-R022P	O-ring	O-Ring	1
BT160100-R023P	Reverse switch base	Umschalter	1
BT160100-R024P	Spring	Feder	1

Art.-Nr.	Description	Beschreibung	Menge Qty.
BT160100-R025P	Steel ball	Stahlkugel	1
BT160100-R026P	O-ring	O-Ring	1
BT160100-R027P	Reverse switch	Umschalthebel	1
BT160100-R028P	Screw für reverse switch	Schraube für Umschalthebel	1
BT160100-R029P	End cap	Gehäusedeckel	1
BT160100-R030P	End cap screw	Gehäuseschraube	4
BT160100-R031P	Trigger	Betriebsschalter	1
BT160100-R032P	O-ring	O-Ring	1
BT160100-R033P	Spring	Feder	1
BT160100-R034P	Spring pin	Splint	1
BT160100-R035P	Spring pin	Splint	1
BT160100-R036P	O-ring	O-Ring	1
BT160100-R037P	Exhaust deflector	Abluftdeflektor	1
BT160100-R038P	Washer	Abluftdichtung	1
BT160100-R039P	Seal	Dichtungsring	1
BT160100-R040P	Seal	Dichtungsring	1
BT160100-R041P	Tip valve	Druckventil	1
BT160100-R042P	Valve spring	Ventilfeder	1
BT160100-R043P	O-ring	O-Ring	1
BT160100-R044P	Air inlet	Lufteinlassschraube	1
BT160100-R045P	Oil seal	Öldichtung	1
BT160100-R046P	Front steel plate		1
BT160100-R047P	Rear steel plate		1