



# GEX Professional

125-1 A | 125-1 AE

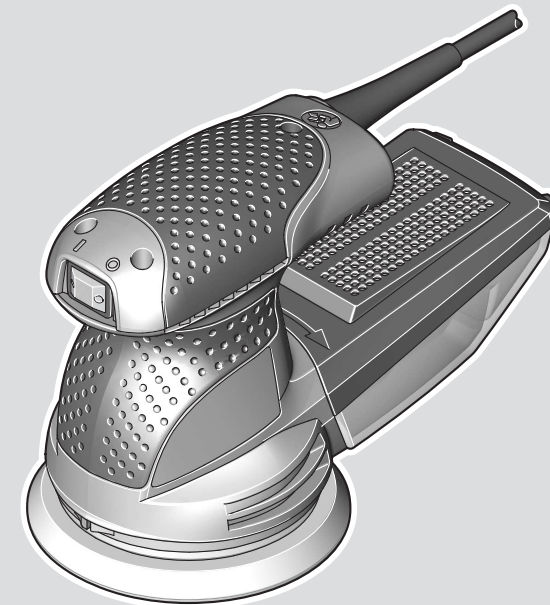
Robert Bosch Power Tools GmbH  
70538 Stuttgart  
GERMANY

[www.bosch-pt.com](http://www.bosch-pt.com)

1 609 92A 717 (2022.01) 0 / 44



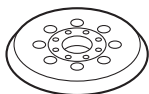
1 609 92A 717



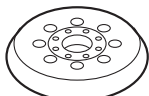
- en Original instructions
- zh 正本使用说明书
- zh 原始使用說明書
- ko 사용 설명서 원본
- th หนังสือคู่มือการใช้งานฉบับต้นแบบ
- id Petunjuk-Petunjuk untuk Penggunaan Orisinal
- vi Bản gốc hướng dẫn sử dụng



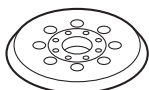
English .....	Page	6
中文 .....	页	11
繁體中文 .....	頁	15
한국어 .....	페이지	20
ไทย .....	หน้า	25
Bahasa Indonesia .....	Halaman	32
Tiếng Việt .....	Trang	38



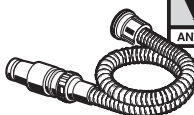
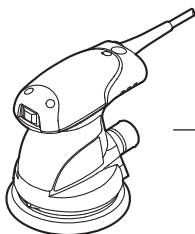
2 608 000 349



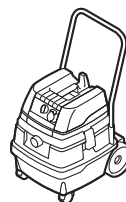
2 608 000 351



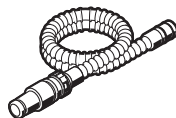
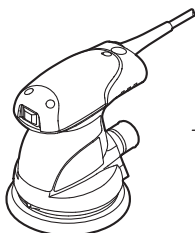
2 608 000 352



Ø 19 mm  
2 607 002 161 (3 m)  
2 607 002 162 (5 m)



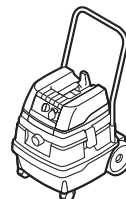
GAS 25  
GAS 50  
GAS 50 M



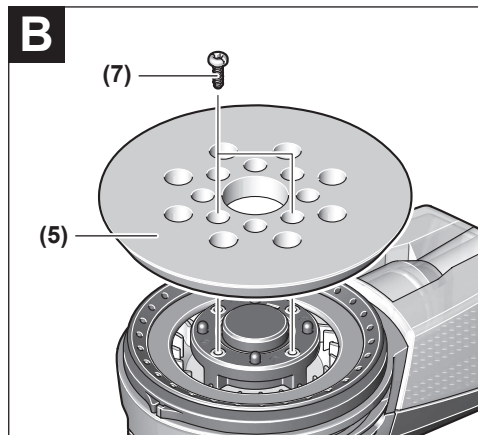
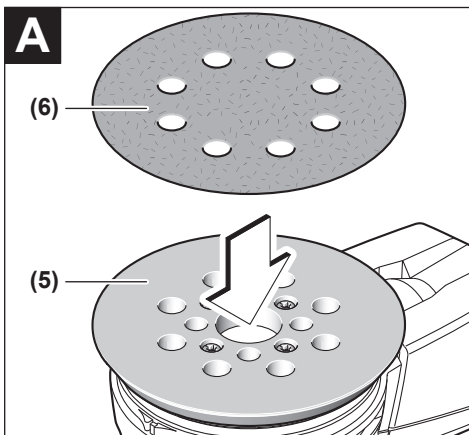
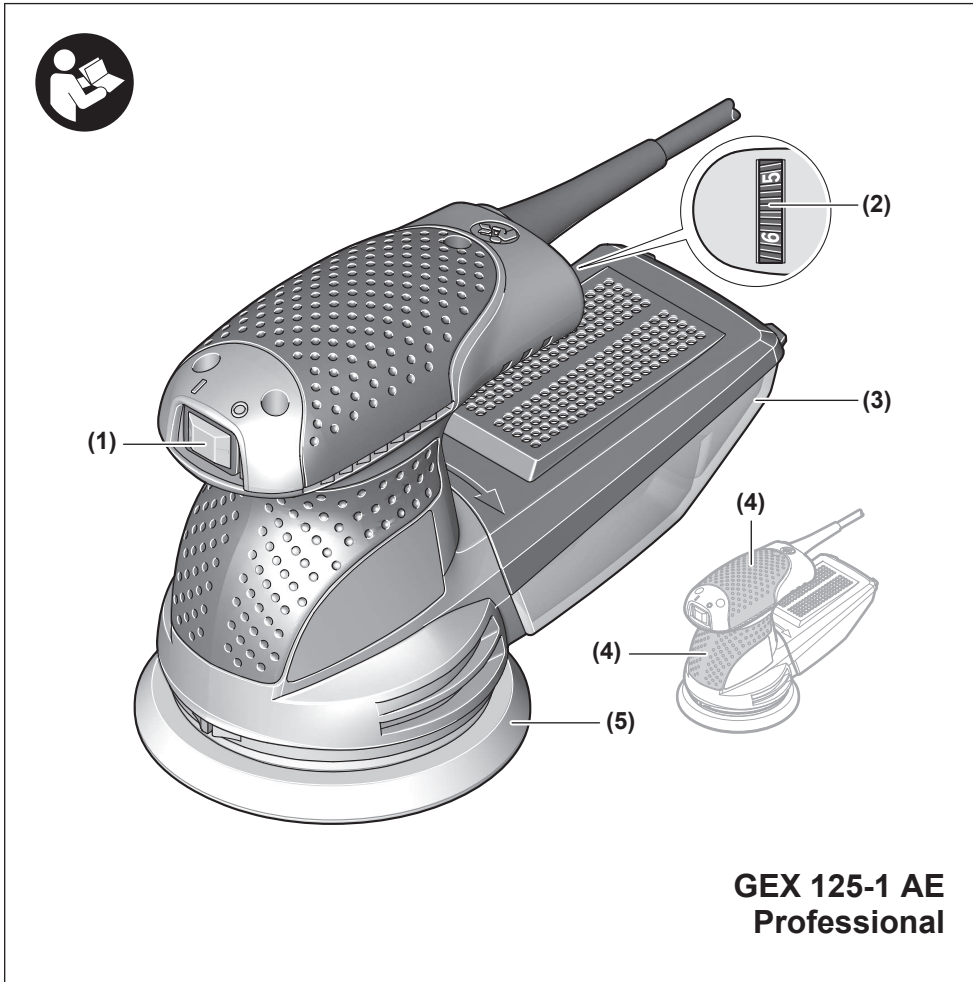
Ø 19 mm  
2 600 793 009 (3 m)  
1 610 793 002 (5 m)

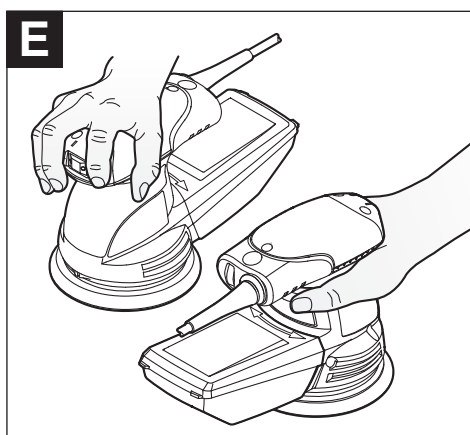
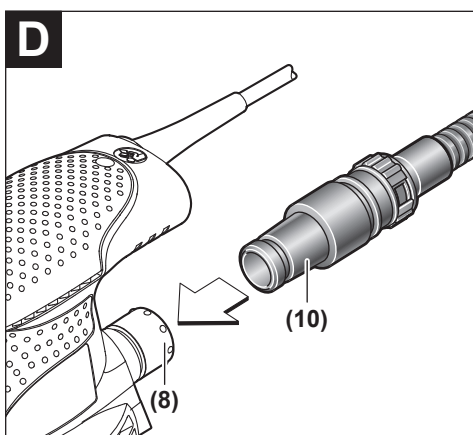
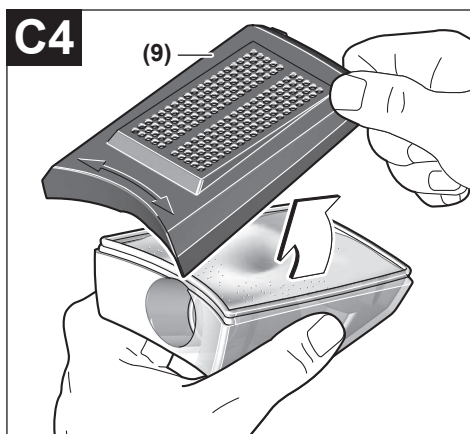
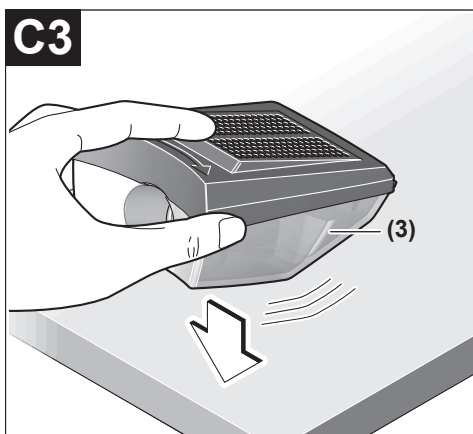
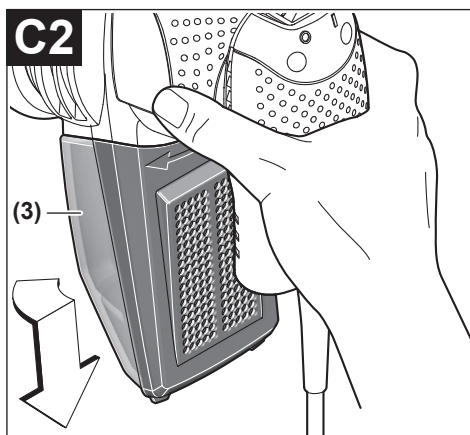
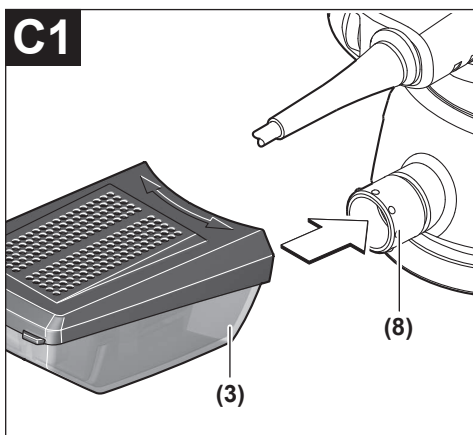


1 609 200 933



GAS 25  
GAS 50  
GAS 50 M





# English

## Safety Instructions

### General Power Tool Safety Warnings

**⚠ WARNING** Read all safety warnings, instructions, illustrations and specifications provided with this power tool. Failure to follow all instructions listed below may result in electric shock, fire and/or serious injury.

**Save all warnings and instructions for future reference.**

The term "power tool" in the warnings refers to your mains-operated (corded) power tool or battery-operated (cordless) power tool.

#### Work area safety

- ▶ **Keep work area clean and well lit.** Cluttered or dark areas invite accidents.
- ▶ **Do not operate power tools in explosive atmospheres, such as in the presence of flammable liquids, gases or dust.** Power tools create sparks which may ignite the dust or fumes.
- ▶ **Keep children and bystanders away while operating a power tool.** Distractions can cause you to lose control.

#### Electrical safety

- ▶ **Power tool plugs must match the outlet. Never modify the plug in any way. Do not use any adapter plugs with earthed (grounded) power tools.** Unmodified plugs and matching outlets will reduce risk of electric shock.
- ▶ **Avoid body contact with earthed or grounded surfaces, such as pipes, radiators, ranges and refrigerators.** There is an increased risk of electric shock if your body is earthed or grounded.
- ▶ **Do not expose power tools to rain or wet conditions.** Water entering a power tool will increase the risk of electric shock.
- ▶ **Do not abuse the cord. Never use the cord for carrying, pulling or unplugging the power tool. Keep cord away from heat, oil, sharp edges or moving parts.** Damaged or entangled cords increase the risk of electric shock.
- ▶ **When operating a power tool outdoors, use an extension cord suitable for outdoor use.** Use of a cord suitable for outdoor use reduces the risk of electric shock.
- ▶ **If operating a power tool in a damp location is unavoidable, use a residual current device (RCD) protected supply.** Use of an RCD reduces the risk of electric shock.

#### Personal safety

- ▶ **Stay alert, watch what you are doing and use common sense when operating a power tool. Do not use a power tool while you are tired or under the influence of drugs, alcohol or medication.** A moment of inatten-

tion while operating power tools may result in serious personal injury.

- ▶ **Use personal protective equipment. Always wear eye protection.** Protective equipment such as a dust mask, non-skid safety shoes, hard hat or hearing protection used for appropriate conditions will reduce personal injuries.
- ▶ **Prevent unintentional starting. Ensure the switch is in the off-position before connecting to power source and/or battery pack, picking up or carrying the tool.** Carrying power tools with your finger on the switch or energising power tools that have the switch on invites accidents.
- ▶ **Remove any adjusting key or wrench before turning the power tool on.** A wrench or a key left attached to a rotating part of the power tool may result in personal injury.
- ▶ **Do not overreach. Keep proper footing and balance at all times.** This enables better control of the power tool in unexpected situations.
- ▶ **Dress properly. Do not wear loose clothing or jewellery. Keep your hair and clothing away from moving parts.** Loose clothes, jewellery or long hair can be caught in moving parts.
- ▶ **If devices are provided for the connection of dust extraction and collection facilities, ensure these are connected and properly used.** Use of dust collection can reduce dust-related hazards.
- ▶ **Do not let familiarity gained from frequent use of tools allow you to become complacent and ignore tool safety principles.** A careless action can cause severe injury within a fraction of a second.

#### Power tool use and care

- ▶ **Do not force the power tool. Use the correct power tool for your application.** The correct power tool will do the job better and safer at the rate for which it was designed.
- ▶ **Do not use the power tool if the switch does not turn it on and off.** Any power tool that cannot be controlled with the switch is dangerous and must be repaired.
- ▶ **Disconnect the plug from the power source and/or remove the battery pack, if detachable, from the power tool before making any adjustments, changing accessories, or storing power tools.** Such preventive safety measures reduce the risk of starting the power tool accidentally.
- ▶ **Store idle power tools out of the reach of children and do not allow persons unfamiliar with the power tool or these instructions to operate the power tool.** Power tools are dangerous in the hands of untrained users.
- ▶ **Maintain power tools and accessories. Check for misalignment or binding of moving parts, breakage of parts and any other condition that may affect the power tool's operation. If damaged, have the power tool repaired before use.** Many accidents are caused by poorly maintained power tools.

- ▶ **Keep cutting tools sharp and clean.** Properly maintained cutting tools with sharp cutting edges are less likely to bind and are easier to control.
- ▶ **Use the power tool, accessories and tool bits etc. in accordance with these instructions, taking into account the working conditions and the work to be performed.** Use of the power tool for operations different from those intended could result in a hazardous situation.
- ▶ **Keep handles and grasping surfaces dry, clean and free from oil and grease.** Slippery handles and grasping surfaces do not allow for safe handling and control of the tool in unexpected situations.

#### Service

- ▶ **Have your power tool serviced by a qualified repair person using only identical replacement parts.** This will ensure that the safety of the power tool is maintained.

#### Safety Warnings for Sander

- ▶ **Only use the power tool for dry sanding.** Water entering a power tool will increase the risk of electric shock.
- ▶ **Ensure that no persons are at risk due to flying sparks. Remove combustible materials from the surrounding area.** Flying sparks are created when sanding metals.
- ▶ **Warning: Danger of fire! Avoid overheating the workpiece and the sander. Always empty the dust collector before taking a break from work.** Sanding dust in the dust bag, microfilter, paper bag (or in the filter bag or vacuum cleaner filter) can spontaneously combust under certain conditions, for example if flying sparks are created when sanding metals. This risk is increased if the sanding dust is mixed with paint or polyurethane residue or with other chemical substances and if the workpiece is hot as a result of prolonged work.
- ▶ **Clean the air vents on your power tool regularly.** The motor's fan will draw the dust inside the housing and excessive accumulation of powdered metal may cause electrical hazards.

#### Products sold in GB only:

Your product is fitted with an BS 1363/A approved electric plug with internal fuse (ASTA approved to BS 1362). If the plug is not suitable for your socket outlets, it should be cut off and an appropriate plug fitted in its place by an authorised customer service agent. The replacement plug should have the same fuse rating as the original plug.

#### Technical Data

Random orbit sander		GEX 125-1 A Professional	GEX 125-1 AE Professional
Article number		<b>3 601 C87 0..</b>	<b>3 601 C87 5..</b>
Orbital stroke rate preselection		–	●
Rated power input	W	250	250
No-load speed $n_0$	$\text{min}^{-1}$	12,000	7500–12,000
No-load orbital stroke rate	$\text{min}^{-1}$	24,000	15,000–24,000
Orbit diameter	mm	2.5	2.5

The severed plug must be disposed of to avoid a possible shock hazard and should never be inserted into a mains socket elsewhere.

- ▶ **Always wait until the power tool has come to a complete stop before placing it down.**
- ▶ **Secure the workpiece.** A workpiece clamped with clamping devices or in a vice is held more secure than by hand.

## Product Description and Specifications



#### Read all the safety and general instructions.

Failure to observe the safety and general instructions may result in electric shock, fire and/or serious injury.

Please observe the illustrations at the beginning of this operating manual.

#### Intended Use

The power tool is intended for dry sanding of wood, plastic, metal, filler and varnished surfaces.

Power tools with electronic control are also suitable for polishing.

#### Product Features

The numbering of the product features refers to the diagram of the power tool on the graphics page.

- (1) On/off switch
- (2) Orbital stroke rate preselection thumbwheel (GEX 125-1 AE)
- (3) Complete dust box (Microfilter system)
- (4) Handle (insulated gripping surface)
- (5) Sanding pad
- (6) Sanding sheet <sup>a)</sup>
- (7) Screws for sanding pad
- (8) Extraction outlet
- (9) Filter element (Microfilter system)
- (10) Dust extraction hose <sup>a)</sup>

a) **Accessories shown or described are not included with the product as standard. You can find the complete selection of accessories in our accessories range.**

Random orbit sander		GEX 125-1 A Professional	GEX 125-1 AE Professional
Sanding disc diameter	mm	125	125
Weight according to EPTA-Procedure 01:2014	kg	1.3	1.3
Protection class		□ / II	□ / II

The specifications apply to a rated voltage [U] of 230 V. These specifications may vary at different voltages and in country-specific models.

## Assembly

- **Pull the plug out of the socket before carrying out any work on the power tool.**

### Selecting the Sanding Sheet

Different sanding sheets are available, depending on the material you are working with and the required surface removal rate:

	Material	Application	Grit		
<b>best for Paint</b>	<ul style="list-style-type: none"> <li>– Paint</li> <li>– Varnish</li> <li>– Filler</li> <li>– Bodyfiller</li> </ul>	For sanding down paint	Coarse	40 60	
		For sanding undercoats (e.g. removing brush-strokes, paint drips and paint runs)	Medium	80 100 120	
		For final sanding of primers prior to painting	Fine	180 240 320 400	
	<b>expert for Wood best for Wood</b>	Expert for Wood <ul style="list-style-type: none"> <li>– All wood and wood-based materials (e.g. hardwood, softwood, chipboard, construction boards)</li> </ul>	For pre-sanding, e.g. of rough and uneven beams and boards	Coarse	40 60
			For surface sanding and levelling of slight irregularities	Medium	80 100 120
		Best for Wood <ul style="list-style-type: none"> <li>– Hardwood</li> <li>– Chipboard</li> <li>– Construction boards</li> <li>– Metal materials</li> </ul>	For finish-sanding and fine sanding of wood	Fine	180 240 320 400
<b>best for Stone</b> <ul style="list-style-type: none"> <li>– Car paint</li> <li>– Stone</li> <li>– Marble</li> <li>– Granite</li> <li>– Ceramic</li> <li>– Glass</li> <li>– Perspex</li> <li>– Fibreglass reinforced plastics</li> </ul>			For pre-sanding	Coarse	80
			For shaping and edge chamfering	Medium	100 120
			For fine sanding during shaping	Fine	180 240 320 400
	Buffing and edge rounding	Very fine	600 1200		

### Changing the Sanding Sheet (see figure A)

To remove the sanding sheet (6), lift it from the side and pull it from the sanding pad (5).

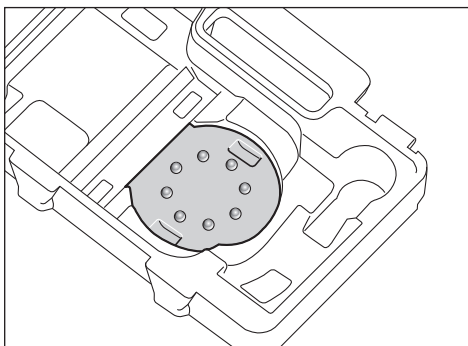
Remove dirt and dust from the sanding pad (5), e.g. with a paintbrush, before attaching a new sanding sheet.

The surface of the sanding pad (5) is fitted with a hook-and-loop fastening, allowing sanding sheets with a hook-and-loop backing to be secured quickly and easily.

Press the sanding sheet (6) firmly onto the underside of the sanding pad (5).

To ensure optimum dust extraction, make sure that the punched holes in the sanding sheet (6) are aligned with the drilled holes in the sanding pad (5).





The alignment aid that is in the tool box and shown in the figure enables easy alignment of the sanding sheet (6) on the sanding pad (5). Place the sanding sheet into the alignment aid with the hook-and-loop fastening facing upwards and press the power tool with the sanding pad firmly onto it.

### Selection of the Sanding Plate

The power tool can be fitted with sanding pads of various hardnesses, depending on the application:

- Extra soft sanding pad: Suitable for polishing and sensitive sanding, even on curved surfaces.
- Medium hard sanding pad: Suitable for all sanding work, universal application.
- Hard sanding pad: Suitable for heavy sanding on flat surfaces.

### Changing the sanding pad (see figure B)

**Note:** Replace damaged sanding pads (5) immediately.

Remove the sanding sheet or polishing tool. Unscrew the four screws completely (7) and remove the sanding pad (5). Attach the new sanding pad (5) and retighten the screws.

**Note:** When attaching the sanding pad, make sure that the teeth of the catch mate with the recesses in the sanding pad.

**Note:** Damaged sanding pads must only be replaced by an after-sales service centre authorised to work with Bosch power tools.

### Dust/Chip Extraction

The dust from materials such as lead paint, some types of wood, minerals and metal can be harmful to human health. Touching or breathing in this dust can trigger allergic reactions and/or cause respiratory illnesses in the user or in people in the near vicinity.

Certain dusts, such as oak or beech dust, are classified as carcinogenic, especially in conjunction with wood treatment additives (chromate, wood preservative). Materials containing asbestos may only be machined by specialists.

- Use a dust extraction system that is suitable for the material wherever possible.
- Provide good ventilation at the workplace.
- It is advisable to wear a P2 filter class breathing mask.

The regulations on the material being machined that apply in the country of use must be observed.

- ▶ **Avoid dust accumulation at the workplace.** Dust can easily ignite.

### Self-generated dust extraction with dust box (see figure C1–C4)

Place the dust box (3) onto the extraction outlet (8) until it clicks into place.

You can easily check the filling level of the dust box (3) through the transparent container.

To empty the dust box (3), rotate and pull it downwards.

Before opening the dust box (3), knock the dust box against a firm surface as shown in the figure to loosen the dust from the filter element.

Holding the dust box (3) firmly, flap the filter element (9) upwards out of the way and empty the dust box. Use a soft brush to clean the flaps of the filter element (9).

### External dust extraction (see figure D)

Fit a dust extraction hose (10) onto the extraction outlet (8).

Connect the dust extraction hose (10) to an extractor. You will find an overview of connecting to various dust extractors at the beginning of these operating instructions.

The dust extractor must be suitable for the material being worked.

When extracting dry dust that is especially detrimental to health or carcinogenic, use a special dust extractor.

## Operation

### Starting Operation

- ▶ **Pay attention to the mains voltage. The voltage of the power source must match the voltage specified on the rating plate of the power tool. Power tools marked with 230 V can also be operated with 220 V.**

- ▶ **Products that are only sold in AUS and NZ:** Use a residual current device (RCD) with a nominal residual current of 30 mA or less.

### Switching On/Off

- ▶ **Make sure that you are able to press the On/Off switch without releasing the handle.**

To **switch on** the power tool, tilt the on/off switch (1) toward the right to the “I” position.

To **switch off** the power tool, tilt the on/off switch (1) toward the left to the “O” position.

### Preselecting the orbital stroke rate (GEX 125-1 AE)

You can even preselect the orbital stroke rate during operation using the necessary orbital stroke rate preselection thumbwheel (2).

- 1–2 Low orbital stroke rate
- 3–4 Medium orbital stroke rate
- 5–6 High orbital stroke rate

The required orbital stroke rate is dependent on the material and the work conditions and can be determined using practical tests.

After working at a low orbital stroke rate for an extended period, you should operate the power tool at the maximum orbital stroke rate for approximately three minutes without load to cool it down.

#### Sanding Plate Brake

An integrated sanding pad brake reduces the orbital stroke rate when running without load to prevent scoring when the power tool is placed on the workpiece.

If the no-load orbital stroke rate constantly increases over time, this means that the sanding pad is damaged and must be replaced, or that the sanding pad brake is worn. A worn sanding pad brake must be replaced by an after-sales service centre authorised to work with Bosch power tools.

#### Working Advice

- ▶ **Pull the plug out of the socket before carrying out any work on the power tool.**
- ▶ **Always wait until the power tool has come to a complete stop before placing it down.**
- ▶ **This power tool is not suitable for bench-mounted use.** It must not be clamped into a vice or fastened to a workbench, for example.

For fatigue-free work, you can hold the power tool from above, from the side or from the front, depending on the application (see figure E).

#### Sanding Surfaces

Switch the power tool on, place the entire sanding surface against the surface of the workpiece and apply moderate pressure as you move the sander over the workpiece.

The material removal rate and sanding result are primarily determined by the choice of sanding sheet, the preselected orbital stroke rate level and the contact pressure.

Only immaculate sanding sheets achieve good sanding performance and make the power tool last longer.

Be sure to apply consistent contact pressure in order to increase the lifetime of the sanding sheets.

Excessively increasing the contact pressure will not lead to increased sanding performance, rather it will cause more severe wear of the power tool and of the sanding sheet.

Do not use a sanding sheet for other materials after it has been used to work on metal.

Use only original **Bosch**-sanding accessories.

#### Rough Sanding

Attach a coarse grit sanding sheet.

Apply only light pressure to the power tool so that it runs at a higher orbital stroke rate and a higher material removal rate is achieved.

#### Fine Sanding

Attach a fine grit sanding sheet.

You can reduce the sanding plate orbital stroke rate by lightly varying the contact pressure or changing the orbital stroke rate level; the random orbit motion will be retained.

Move the power tool with moderate pressure flat on the workpiece in a circular motion or alternately along and

across it. Do not tilt the power tool in order to avoid sanding through the workpiece, e.g. veneers.

Switch the power tool off after completing operation.

#### Polishing

For polishing weathered lacquers and redressing scratches (e.g. acrylic glass), the power tool can be fitted with an appropriate polishing tool, e.g. lambswool bonnet, polishing felt or polishing sponge (accessory).

Select a low orbital stroke rate (level 1–2) when polishing in order to avoid heating up the surface excessively.

Apply the polish to an area slightly smaller than the area which you intend to polish. Using the appropriate polishing tool, work in the polish with either linear or circular movements and with moderate pressure.

Do not allow the polish to dry out on the surface; this may damage the surface. Do not expose the surface which you intend to polish to direct sunlight.

Clean the polishing tool regularly to ensure good polishing results. Wash the polishing tools with mild detergent and warm water; do not use thinning agents.

## Maintenance and Service

### Maintenance and Cleaning

- ▶ **Pull the plug out of the socket before carrying out any work on the power tool.**
- ▶ **To ensure safe and efficient operation, always keep the power tool and the ventilation slots clean.**

In order to avoid safety hazards, if the power supply cord needs to be replaced, this must be done by **Bosch** or by an after-sales service centre that is authorised to repair **Bosch** power tools.

### After-Sales Service and Application Service

Our after-sales service responds to your questions concerning maintenance and repair of your product as well as spare parts. You can find explosion drawings and information on spare parts at: [www.bosch-pt.com](http://www.bosch-pt.com)

The Bosch product use advice team will be happy to help you with any questions about our products and their accessories.

In all correspondence and spare parts orders, please always include the 10-digit article number given on the nameplate of the product.

#### Malaysia

Robert Bosch Sdn. Bhd.(220975-V) PT/SMY  
No. 8A, Jalan 13/6  
46200 Petaling Jaya  
Selangor  
Tel.: (03) 79663194  
Toll-Free: 1800 880188  
Fax: (03) 79583838  
E-Mail: [kiathoe.chong@my.bosch.com](mailto:kiathoe.chong@my.bosch.com)  
[www.bosch-pt.com.my](http://www.bosch-pt.com.my)

You can find further service addresses at:

www.bosch-pt.com/serviceaddresses

## Disposal

The power tool, accessories and packaging should be recycled in an environmentally friendly manner.



Do not dispose of power tools along with household waste.

## 中文

### 安全规章

#### 电动工具通用安全警告

**警告！** 阅读随电动工具提供的所有安全警告、说明、图示和规定。不遵照以下所列说明会导致电击、着火和/或严重伤害。

保存所有警告和说明书以备查阅。

警告中的术语“电动工具”是指市电驱动（有线）电动工具或电池驱动（无线）电动工具。

#### 工作场地的安全

- ▶ 保持工作场地清洁和明亮。杂乱和黑暗的场地会引发事故。
- ▶ 不要在易爆环境，如有易燃液体、气体或粉尘的环境下操作电动工具。电动工具产生的火花会点燃粉尘或气体。
- ▶ 操作电动工具时，远离儿童和旁观者。注意力不集中会让你失去对工具的控制。

#### 电气安全

- ▶ 电动工具插头必须与插座相配。绝不能以任何方式改装插头。需接地的电动工具不能使用任何转换插头。未经改装的插头和相配的插座将降低电击风险。
- ▶ 避免人体接触接地表面，如管道、散热片和冰箱。如果你身体接触接地表面会增加电击风险。
- ▶ 不得将电动工具暴露在雨中或潮湿环境中。水进入电动工具将增加电击风险。
- ▶ 不得滥用软线。绝不能用软线搬运、拉动电动工具或拔出其插头。使软线远离热源、油、锐边或运动部件。受损或缠绕的软线会增加电击风险。
- ▶ 当在户外使用电动工具时，使用适合户外使用的延长线。适合户外使用的电线将降低电击风险。
- ▶ 如果无法避免在潮湿的环境中操作电动工具，应使用带有剩余电流装置（RCD）保护的电源。RCD的使用可降低电击风险。

#### 人身安全

- ▶ 保持警觉，当操作电动工具时关注所从事的操作并保持清醒。当你感到疲倦，或在有药物、酒精

或治疗反应时，不要操作电动工具。在操作电动工具时瞬间的疏忽会导致严重人身伤害。

- ▶ 使用个人防护装置。始终佩戴护目镜。防护装置，诸如适当条件下使用防尘面具、防滑安全鞋、安全帽、听力防护等装置能减少人身伤害。
- ▶ 防止意外起动。在连接电源和/或电池包、拿起或搬运工具前确保开关处于关断位置。手指放在开关上搬运工具或开关处于接通时通电会导致危险。
- ▶ 在电动工具接通之前，拿掉所有调节钥匙或扳手。遗留在电动工具旋转零件上的扳手或钥匙会导致人身伤害。
- ▶ 手不要过分伸展。时刻注意立足点和身体平衡。这样能在意外情况下能更好地控制住电动工具。
- ▶ 着装适当。不要穿宽松衣服或佩戴饰品。让你的头发和衣服远离运动部件。宽松衣服、佩饰或长发可能会卷入运动部件。
- ▶ 如果提供了与排屑、集尘设备连接用的装置，要确保其连接完好且使用得当。使用集尘装置可降低尘屑引起的危险。
- ▶ 不要因为频繁使用工具而产生的熟悉感而掉以轻心，忽视工具的安全准则。某个粗心的动作可能在瞬间导致严重的伤害。

#### 电动工具使用和注意事项

- ▶ 不要勉强使用电动工具，根据用途使用合适的电动工具。选用合适的按照额定值设计的电动工具会使你工作更有效、更安全。
- ▶ 如果开关不能接通或关断电源，则不能使用该电动工具。不能通过开关来控制的电动工具是危险的且必须进行修理。
- ▶ 在进行任何调节、更换附件或贮存电动工具之前，必须从电源上拔掉插头和/或卸下电池包（如可拆卸）。这种防护性的安全措施降低了电动工具意外起动的风险。
- ▶ 将闲置不用的电动工具贮存在儿童所及范围之外，并且不允许不熟悉电动工具和不了解这些说明的人操作电动工具。电动工具在未经培训的使用者手中是危险的。
- ▶ 维护电动工具及其附件。检查运动部件是否调整到位或卡住，检查零件破损情况和影响电动工具运行的其他状况。如有损坏，应在使用前修理好电动工具。许多事故是由维护不良的电动工具引发的。
- ▶ 保持切削刀具锋利和清洁。维护良好地有锋利切削刀的刀具不易卡住而且容易控制。
- ▶ 按照使用说明，并考虑作业条件和要进行的作业来选择电动工具、附件和工具的刀头等。将电动工具用于那些与其用途不符的操作可能会导致危险情况。
- ▶ 保持手柄和握持表面干燥、清洁，不得沾有油脂。在意外的情况下，湿滑的手柄不能保证握持的安全和对工具的控制。

#### 维修

- ▶ 由专业维修人员使用相同的备件维修电动工具。这将保证所维修的电动工具的安全。

## 针对砂光机的安全警告

- ▶ **本电动工具仅可用于干法研磨。**水进入电动工具将增加电击危险。
- ▶ **要注意确保飞溅的火花不会伤到人。清除附近的可燃材料。**研磨金属时会有火花飞溅。
- ▶ **注意火灾危险！应避免磨料和研磨机过热。每次工作休息前都要清空集尘腔。**集尘袋、微过滤器、纸袋（或者吸尘器的过滤袋或过滤器）内的磨削粉尘可能会在不良条件下（例如研磨金属时火花飞溅）被点燃。如果磨削粉尘与油漆或聚氨酯残余物或者其他化学原料混合，且磨料在长时间作业后产生高温时，会产生极大危险。
- ▶ **定期清洁电动工具的通风间隙。**电动机风扇会将灰尘吸进机壳，过多的金属粉末沉积会导致电气危险。
- ▶ **等待电动工具完全静止后才能够放下机器。**
- ▶ **固定好工件。**使用固定装置或老虎钳固定工件，会比用手持握工件更牢固。

## 产品和性能说明



请阅读所有安全规章和指示。不遵照以下警告和说明可能导致电击、着火和/或严重伤害。

### 技术参数

偏心研磨机		GEX 125-1 A Professional	GEX 125-1 AE Professional
物品代码		<b>3 601 C87 0..</b>	<b>3 601 C87 5..</b>
振动次数预选		-	●
额定输入功率	瓦	250	250
空载转速 $n_0$	转/分钟	12000	7500-12000
空载振动次数	转/分钟	24000	15000-24000
振动圆直径	毫米	2.5	2.5
磨盘直径	毫米	125	125
重量符合EPTA-Procedure 01:2014	公斤	1.3	1.3
保护等级		□/II	□/II

所有参数适用于230伏的额定电压[U]，对于其他不同的电压和国际规格，数据有可能不同。

## 安装

- ▶ **在电动工具上进行所有操作之前都必须从插座上拔出电源插头。**

### 选择砂纸

根据工件的物料和希望的物表研磨效果，选择合适的砂纸：

请注意本使用说明书开头部分的图示。

### 按照规定使用

本电动工具适合在木材，塑料，金属，填隙料和涂了油漆的表面上干磨。

配备了电动调节装置的电动工具也可以进行抛光。

### 插图上的机件

机件的编号和电动工具详解图上的编号一致。

- (1) 起停开关
- (2) 振荡次数预选调节轮（GEX 125-1 AE）
- (3) 整个集尘盒（微过滤器系统）
- (4) 手柄（绝缘握柄）
- (5) 磨盘
- (6) 砂纸<sup>a)</sup>
- (7) 磨垫的固定螺栓
- (8) 排气孔接头
- (9) 滤芯（微过滤器系统）
- (10) 吸尘软管<sup>a)</sup>

a) 图表或说明上提到的附件，并不包含在基本的供货范围中。本公司的附件清单中有完整的附件供应项目。

物料	用途	目数	
<b>best for Paint</b> 颜料 油漆 填料 填隙料	磨除颜料层	粗略	40
	用于打磨底漆（比如磨除刷子痕迹、滴状油漆和条状油漆）	中	60
			80
			100
	磨平底料以方便上漆	精细	120
			180
240			
320			
400			
<b>expert for Wood best for Wood</b> Expert for Wood - 所有木材（比如硬木、软木、刨花板、人造板） Best for Wood - 硬木 - 木屑板 - 建筑板材 - 金属	对于初磨，例如粗糙、未磨光的横梁和木板	粗略	40
	用于平面磨削和磨平轻微的凹凸不平点	中	60
			80
	粗磨和细磨木材	精细	100
			120
			180
240			
320			
400			
<b>best for Stone</b> 汽车漆 石材 大理石 花岗岩 陶材 玻璃 安全玻璃 玻璃纤维塑料	进行粗加工	粗略	80
	成形和去边	中	100
			120
	成形后的细加工	精细	180
			240
			320
去边后的抛光工作	极细	400	
		600	
1200			

### 更换砂纸（参见插图A）

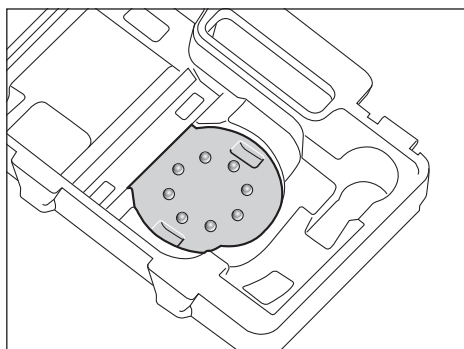
取下砂纸(6)时，将其一侧抬起，然后从磨盘(5)上拉下。

装入新砂纸前，用刷子清除磨盘(5)上的脏污和灰尘。

磨盘(5)表面由尼龙织物组成，因此可通过魔术贴快速便捷地固定砂纸。

将砂纸(6)牢固地按压到磨盘(5)底面。

请注意砂纸(6)的冲孔与磨盘(5)上的孔重叠，以确保最佳的集尘效果。



为方便校准磨盘(5)上的砂纸(6)，可使用工具箱中如图所示的校准辅助工具。将砂纸和魔术贴向上装入校准辅助工具，并用磨垫牢牢压紧电动工具。

### 选择磨垫

可以根据用途在电动工具上安装不同硬度的磨垫：

- 超软磨垫：适用于抛光或操作时必须凭借触感的研磨工作，另外也可以在凸起的表面研磨。

- 中硬度磨垫：适合所有的研磨工作，是通用型磨垫。
- 硬磨垫：适合在平坦的表面进行高效率的研磨。

### 更换磨垫（参见插图B）

**提示：**请立即更换损坏的磨垫(5)。

拆下砂纸或抛光工具。小心地旋出4颗螺栓(7)，然后取下磨垫(5)。装上新磨垫(5)，然后重新拧紧螺栓。

**提示：**安装磨垫时应注意从动件的齿轮进入磨垫的凹槽中。

**提示：**损坏的磨垫支架必须由博世电动工具公司授权的客户服务中心更换。

### 吸锯尘/吸锯屑

含铅的颜料以及某些木材、矿物和金属的加工废尘有害健康。机器操作者或者工地附近的人如果接触、吸入这些废尘，可能会有过敏反应或者感染呼吸道疾病。

某些尘埃（例如加工橡木或山毛榉的废尘）可能致癌，特别是和处理木材的添加剂（例如木材的防腐剂等）结合之后。只有经过专业训练的人才能够加工含石棉的物料。

- 尽可能使用适合物料的吸尘装置。
- 工作场所要保持空气流通。
- 最好佩戴P2滤网等级的口罩。

请留心并遵守贵国和加工物料有关的法规。

▶ **避免让工作场所堆积过多的尘垢。**尘埃容易被点燃。

### 利用集尘盒自集尘（参见插图C1-C4）

将集尘盒(3)装到排气孔接头(8)上，直至卡止。

可通过一个透明的容器轻松控制集尘盒(3)集尘量。

清空集尘盒(3)时，请将其转动向下拔下。

打开集尘盒(3)前，请如图所示在固定底座上敲击集尘盒，使灰尘从滤芯脱落。

固定住集尘盒(3)，向上翻开滤芯(9)并清空集尘盒。用一支软刷清洁滤芯(9)膜片。

### 外部集尘（参见插图D）

将集尘软管(10)插到吸尘器转换接口(8)上。

将集尘软管(10)与吸尘器连接。在本使用说明书的开头可以找到各种集尘器的连接概览。

根据工件的物料选择合适的吸尘装置。

吸集可能危害健康，可能导致癌症或干燥的废尘时，务必使用特殊的吸尘装置。

## 工作

### 投入使用

▶ **注意电源电压！**电源的电压必须和电动工具铭牌上标示的电压一致。标记为230伏电动工具用220伏的电压可以驱动。

**接通/关闭**

▶ **请确保握住手柄时可以开启/关闭开关。**

**接通**电动工具时，将起停开关(1)向右翻到位置“1”。

**关闭**电动工具时，将起停开关(1)向左翻到位置“0”。

### 预选振荡次数(GEX 125-1 AE)

利用振荡次数预选调节轮(2)也可以在运行过程中预选所需的振荡次数。

1 - 2 低振荡次数

3 - 4 中振荡次数

5 - 6 高振荡次数

正确的振荡次数是由工件和工作条件决定，唯有实际操作才能够找出最合适的振荡次数。

使用低振荡次数长期操作之后，应该让电动工具以最大振荡次数空运转约3分钟来帮助机器冷却。

### 磨盘缓速器

机器空转时，它内部的磨盘缓速器会降低磨盘的振荡次数，以避免将电动工具放在工件上时造成不必要的凹槽。

如果空转振荡次数不断上升，代表磨盘已经损坏了必须更换，或是磨盘缓速器磨损了。损坏的磨盘缓速器必须由博世电动工具公司授权的客户服务中心更换。

### 工作提示

▶ **在电动工具上进行所有操作之前都必须从插座上拔出电源插头。**

▶ **等待电动工具完全静止后才能够放下机器。**

▶ **本电动工具不适合固定式应用。**例如不允许夹在虎钳上或固定在工作台上。

为确保无疲劳作业，可从上方、侧面或前部固定住电动工具，具体固定位置视应用情况而定（参见插图E）。

### 研磨平面

开动电动工具，把整个研磨面平贴在待研磨的表面上，并均匀地在工件上移动机器。

磨除功率和研磨的效果原则上是由所选择的砂纸、设定的振荡级和操作机器时施压的大小来决定的。

只有完好的砂纸才能够提高研磨功率，并且保护电动工具。

操作机器时要均匀施压，如此才能够提高砂纸的使用寿命。

在机器上过度施压，不仅无法提高研磨功率，反而容易损坏机器并提高砂纸的耗损率。

不可以使用研磨过金属的砂纸研磨其它的物料。

请只使用Bosch原装研磨附件。

### 粗磨

安装粒度粗的砂纸。

只能轻按电动工具，这样它才能够以较高的振荡次数运转，并达到较高的材料磨除效果。

### 细磨

安装粒度细的砂纸。

稍微改变接触压力或更改振荡次数等级，可以在保持偏心运动的同时减少磨盘振荡次数。

坝高采用绕圈或纵向、横向互相交换的方式，在工件上均匀地移动电动工具。勿让研磨机歪斜了，以避免磨穿工件，例如胶合板。

工作完毕后随手关闭电动工具。

### 抛光

在电动工具上安装合适的抛光工具，例如羊毛罩，抛光绒布或抛光海绵（附件）等，也可以使用本电动工具抛光受气候侵蚀的油漆和刮痕（例如有机玻璃）。

抛光时请选择较少的振荡次数（等级1-2），以避免表面过热。

抛光时，先在一处小面积上涂抹抛光剂，接着再使用合适的抛光工具，采纵横交错或绕圈的方式，均匀地涂抹抛光剂。

不可让涂抹在抛光表面的抛光剂干掉，这样会损坏抛光表面。不可以让阳光直接照射待抛光的表面。

定期清洁抛光工具，以确保出色的抛光效果。使用温和的清洁剂和温水清洗抛光工具。勿使用稀释剂。

## 维修和服务

### 维护和清洁

- ▶ 在电动工具上进行所有操作之前都必须从插座上拔出电源插头。
- ▶ 电动工具和通气孔必须随时保持清洁，以确保工作效率和工作安全。

如果必须更换连接线，务必把这项工作交给Bosch或者经授权的Bosch电动工具顾客服务执行，以避免危害机器的安全性能。

### 客户服务和应用咨询

本公司顾客服务处负责回答有关本公司产品的修理、维护和备件的问题。备件的展开图纸和信息也可查看：[www.bosch-pt.com](http://www.bosch-pt.com)  
博世应用咨询团队乐于就我们的产品及其附件问题提供帮助。

询问和订购备件时，务必提供机器铭牌上标示的10位数物品代码。

#### 中国大陆

博世电动工具（中国）有限公司

中国 浙江省 杭州市

滨江区 滨康路567号

102/1F 服务中心

邮政编码：310052

电话：(0571)8887 5566 / 5588

传真：(0571)8887 6688 x 5566# / 5588#

电邮：[bsc.hz@cn.bosch.com](mailto:bsc.hz@cn.bosch.com)

[www.bosch-pt.com.cn](http://www.bosch-pt.com.cn)

#### 制造商地址：

Robert Bosch Power Tools GmbH

罗伯特·博世电动工具有限公司

70538 Stuttgart / GERMANY

70538 斯图加特 / 德国

#### 其他服务地址请见：

[www.bosch-pt.com/serviceaddresses](http://www.bosch-pt.com/serviceaddresses)

### 处理废弃物

必须以符合环保要求的方式回收再利用电动工具、附件和包装材料。



不可以把电动工具丢入家庭垃圾中！

## 繁體中文

## 安全注意事項

### 電動工具一般安全注意事項

#### 警告

請詳讀工作臺及電動工具的所有安全警告與使用說明。若不

遵照以下列出的指示，將可能導致電擊、著火和/或人員重傷。

保存所有警告和說明書以備查閱。

在所有警告中，「電動工具」此一名詞泛指：以市電驅動的（有線）電動工具或是以電池驅動的（無線）電動工具。

#### 工作場地的安全

- ▶ 保持工作場地清潔和明亮。混亂和黑暗的場地會引發事故。
- ▶ 不要在易爆環境，如有易燃液體、氣體或粉塵的環境下操作電動工具。電動工具產生的火花會點燃粉塵或氣體。
- ▶ 讓兒童和旁觀者離開後操作電動工具。注意力不集中會使您失去對工具的控制。

#### 電氣安全

- ▶ 電動工具插頭必須與插座相配。絕不能以任何方式改裝插頭。需接地的電動工具不能使用任何轉換插頭。未經改裝的插頭和相配的插座將減少電擊危險。
- ▶ 避免人體接觸接地表面，如管道、散熱片和冰箱。如果您身體接地會增加電擊危險。
- ▶ 不得將電動工具暴露在雨中或潮濕環境中。水進入電動工具將增加電擊危險。
- ▶ 不得濫用電線。絕不能用電線搬運、拉動電動工具或拔出其插頭。使電線遠離熱源、油、銳利邊緣或移動零件。受損或纏繞的軟線會增加電擊危險。
- ▶ 當在戶外使用電動工具時，使用適合戶外使用的延長線。適合戶外使用的軟線，將減少電擊危險。

- ▶ 如果在潮濕環境下操作電動工具是不可避免的，應使用剩餘電流動作保護器（RCD）。使用RCD可降低電擊危險。

### 人身安全

- ▶ 保持警覺，當操作電動工具時關注所從事的操作並保持清醒。當您感到疲倦，或在有藥物、酒精或治療反應時，不要操作電動工具。在操作電動工具時瞬間的疏忽會導致嚴重人身傷害。
- ▶ 使用個人防護裝置。始終佩戴護目鏡。安全裝置，諸如適當條件下使用防塵面具、防滑安全鞋、安全帽、聽力防護等裝置能減少人身傷害。
- ▶ 防止意外起動。確保開關在連接電源和/或電池盒、拿起或搬運工具時處於關閉位置。手指放在已接通電源的開關上或開關處於接通時插入插頭可能會導致危險。
- ▶ 在電動工具接通之前，拿掉所有調節鑰匙或扳手。遺留在電動工具旋轉零件上的扳手或鑰匙會導致人身傷害。
- ▶ 手不要伸展得太長。時刻注意立足點和身體平衡。這樣在意外情況下能很好地控制電動工具。
- ▶ 著裝適當。不要穿寬鬆衣服或佩戴飾品。讓您的衣物及頭髮遠離運動部件。寬鬆衣服、飾物或長髮可能會捲入運動部件中。
- ▶ 如果提供了與排屑、集塵設備連接用的裝置，要確保他們連接完好且使用得當。使用這些裝置可減少塵屑引起的危險。
- ▶ 切勿因經常使用工具所累積的熟練感而過度自信，輕忽工具的安全守則。任何一個魯莽的舉動都可能瞬間造成人員重傷。

### 電動工具使用和注意事項

- ▶ 不要濫用電動工具，根據用途使用適當的電動工具。選用適當設計的電動工具會使您工作更有效、更安全。
- ▶ 如果開關不能開啟或關閉工具電源，則不能使用該電動工具。不能用開關來控制的電動工具是危險的且必須進行修理。
- ▶ 在進行任何調整、更換配件或貯存電動工具之前，必須從電源上拔掉插頭並/或取出電池盒。這種防護性措施將減少工具意外起動的危險。
- ▶ 將閒置不用的電動工具貯存在兒童所及範圍之外，並且不要讓不熟悉電動工具或對這些說明不瞭解的人操作電動工具。電動工具在未經培訓的用戶手中是危險的。
- ▶ 保養電動工具與配備。檢查運動件是否調整到位或卡住，檢查零件破損情況和影響電動工具運行的其他狀況。如有損壞，電動工具應在使用前修理好。許多事故由維護不良的電動工具引發。
- ▶ 保持切削刀具鋒利和清潔。保養良好的有鋒利切削刀的刀具不易卡住而且容易控制。
- ▶ 按照使用說明書，考慮作業條件和進行的作業來使用電動工具、配件和工具的刀頭等。將電動工具用於那些與其用途不符的操作可能會導致危險。

- ▶ 把手及握持區應保持乾燥、潔淨，且不得沾染任何油液或油脂。易滑脫的把手及握持區將無法讓您在發生意外狀況時安全地抓緊並控制工具。

### 檢修

- ▶ 將您的電動工具送交專業維修人員，必須使用同樣的備件進行更換。這樣將確保所維修的電動工具的安全性。

### 砂磨機安全注意事項

- ▶ 本電動工具僅適用於乾式研磨。水進入電動工具將增加電擊危險。
- ▶ 請注意：噴濺的火花不會波及任何人。請將附近的易燃材料清走。研磨材料時會有火花噴濺。
- ▶ 請注意：有失火之虞！請避免砂磨材料或砂帶機過熱。暫停作業之前請務必清空集塵容器。集塵袋、超微細過濾器、紙袋內（或吸塵器過濾袋/濾材內）的研磨粉塵可能在不利條件下自行點燃，例如研磨金屬時所產生的火花。尤其是當研磨粉塵若混入殘留的烤漆、聚胺酯或其他化學物質，而且在經過長時間運轉後砂磨材料的溫度又極高時，這種情形特別具危險性。
- ▶ 請定期清潔電動工具的通風口。電動機風扇會將灰塵吸進機殼，過多的金屬粉末沉積會導致電氣危險。
- ▶ 等待電動工具完全靜止後才能夠放下機器。
- ▶ 固定好工件。使用固定裝置或老虎鉗固定工件，會比用手持握工件更牢固。

### 產品和功率描述



請詳讀所有安全注意事項和指示。如未遵守安全注意事項與指示，可能導致火災、人員遭受電擊及/或重傷。  
請留意操作說明書中最前面的圖示。

### 依規定使用機器

本電動工具適合在木材、塑膠、金屬、填縫泥及上漆表面上進行乾式研磨。  
電子調控的電動工具也可進行拋光。

### 插圖上的機件

機件的編號和電動工具詳解圖上的編號一致。

- (1) 起停開關
- (2) 振盪次數設定轉鈕（GEX 125-1 AE）
- (3) 集塵盒全套件（超微細過濾器系統）
- (4) 把手（絕緣握柄）
- (5) 磨盤
- (6) 研磨片<sup>a)</sup>
- (7) 磨盤螺栓
- (8) 排塵接管
- (9) 濾芯（超微細過濾器系統）
- (10) 吸塵管<sup>a)</sup>

a) 圖表或說明上提到的配件，並不包含在基本的供貨範圍中。本公司的配件清單中有完整的配件供應項目。



## 技術性數據

偏心研磨機		GEX 125-1 A Professional	GEX 125-1 AE Professional
產品機號		3 601 C87 0..	3 601 C87 5..
設定振盪次數		-	●
額定輸入功率	W	250	250
無負載轉速 $n_0$	次 / 分	12000	7500-12000
無負載振盪次數	次 / 分	24000	15000-24000
振盪繞圈直徑	mm	2.5	2.5
磨盤直徑	mm	125	125
重量符合 EPTA-Procedure 01:2014	kg	1.3	1.3
絕緣等級		□/II	□/II

本說明書提供的參數是以 230 伏特為依據，於低電壓地區，此數據有可能不同。

## 安裝

- 維修電動工具或換裝零、配件之前，務必從插座上拔出插頭。

## 選用研磨片

本公司特別針對欲進行加工之各種材質以及所需之表面材料去除比率，推出各式研磨片供您選購：

	材料	用途	粒度	
best for Paint	- 顏料 - 漆料	磨除顏料層	粗	40
				60
	- 補填材料 - 填縫泥	研磨先前塗上的顏料（例如磨除某一條筆刷痕跡、滴落的色點和蜿蜒垂流的顏料）	中	80
				100
				120
expert for Wood best for Wood	Expert for Wood - 所有種類的木質材料（例如硬木、軟木、塑合板、建築板材）	粗加工研磨，例如未刨平的粗糙木樑及木板	粗	40
				60
		平面磨整以及整平凹凸不平處	中	80
				100
	Best for Wood - 硬木 - 塑合板 - 建築板材 - 金屬材料	精磨與細磨木材	細	120
				180
				240
				320
				320
				400

best Stone	材料	用途	粒度	
	- 車漆	進行粗磨	粗	80
- 石材	成形和去邊	中	100	
- 大理石			120	
- 花崗岩	成形後的細磨	細	180	
- 陶瓷			240	
- 玻璃			320	
- 安全玻璃			400	
- 玻璃纖維塑膠材料	拋光作業和磨圓銳邊	超細	600	
			1200	

### 更換研磨片 (請參考圖 A)

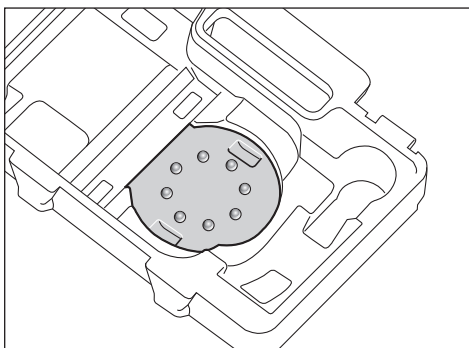
若要取下研磨片 (6)，請從側邊將它扳開，接著再將它從磨盤 (5) 拔下。

裝上新的研磨片之前，請用例如刷子清除磨盤 (5) 上的髒污與粉塵。

磨盤 (5) 的表面材質是魔鬼氈，可以很便利地快速固定研磨片。

將研磨片 (6) 牢牢按壓到磨盤 (5) 底部上。

請注意：為確保最佳吸塵效果，研磨片 (6) 上的沖孔請對準磨盤 (5) 開孔位置。



若要輕鬆在磨盤上 (5) 對準研磨片 (6) 的位置，您可使用工具箱裡的校正輔助工具 (如圖中所示)。研磨片的魔鬼氈那一面朝上，將它放進校正輔助工具中，接著再將電動工具上的磨盤用力按壓上去。

### 選用磨盤

本電動工具可以依據用途安裝不同硬度的磨盤：

- 超軟磨盤：適用於拋光或操作時必須憑藉觸感的研磨作業，此外也可研磨凸起表面。
- 中硬度磨盤：適合所有的研磨工作，是通用型磨盤。
- 硬磨盤：適合在平坦的表面進行高效率的研磨。

### 更換磨盤 (請參考圖 B)

**提示：**磨盤 (5) 如有受損請立即換掉。

卸下研磨片或拋光工具。將 4 顆螺栓 (7) 完全旋出，並取下磨盤 (5)。裝上新的磨盤 (5)，然後旋緊螺栓。

**提示：**裝上磨盤時請注意從動部件的嚙合齒應要卡進磨盤的凹槽內。

**提示：**磨盤座如果損壞，必須交由博世電動工具公司授權的客戶服務處更換。

### 吸除廢塵 / 料屑

含鉛顏料、部分木材種類、礦石和金屬的加工廢塵有害健康。機器操作者或施工現場附近的人員如果接觸、吸入這些廢塵，可能會引發過敏反應或感染呼吸道疾病。

某些塵埃 (例如加工橡木或山毛櫸的廢塵) 可能致癌，特別是與處理木材的添加劑 (例如木材的防腐劑等) 結合之後。唯有受過專業訓練的人才能夠進行含石棉物料的加工。

- 儘可能使用適合物料的吸塵裝置。
- 工作場所要保持空氣流通。
- 建議佩戴 P2 過濾等級的口罩。

請留意並遵守貴國的物料加工相關法規。

▶ **避免讓工作場所堆積過多的塵垢。**塵埃容易被點燃。

### 機器本身的吸塵裝備，含集塵盒 (請參考圖 C1-C4)

將集塵盒 (3) 套到排放接管 (8) 上，直到卡緊為止。

因為採用的是透明容器，因此很容易掌握集塵盒 (3) 的裝填狀態。

若要清空集塵盒 (3)，請將它往下旋轉即可拔出。

打開集塵盒 (3) 之前，應如圖所示將集塵盒往穩固平面上敲一敲，以便將濾芯上的塵垢抖鬆。

拿穩集塵盒 (3)，將濾芯 (9) 往上翻開，接著將集塵盒倒空。用柔軟的刷子清潔濾芯 (9) 上的濾網層。

### 外接的吸塵裝備 (請參考圖 D)

將吸塵管 (10) 插到排塵接管 (8) 上。

將吸塵管 (10) 與吸塵器連接起來。本手冊的最前面另外刊錄了連接不同類型吸塵器的操作概覽。

根據工件材質選擇合適的吸塵裝置。

吸集可能危害健康、可能致癌或乾燥的廢塵時，務必使用特殊吸塵裝置。

## 操作

### 操作機器

- ▶ **請注意電源電壓！** 電源的電壓必須和電動工具銘牌上標示的電壓一致。標示為 **230 V** 的電動工具亦可接上 **220 V** 電源。

### 啟動/關閉

- ▶ **請確定您不用放開把手，就能操作起停開關。**

若要**啟動**電動工具：請將起停開關 **(1)** 往右扳，設為「**I**」位置。

若要**關閉**電動工具：請將起停開關 **(1)** 往左扳，設為「**O**」位置。

### 設定振蕩次數(GEX 125-1 AE)

利用振蕩次數設定轉鈕 **(2)**，即使是在工具運作期間，亦可按照需求設定振蕩次數。

- 1 - 2 低振蕩次數
- 3 - 4 中振蕩次數
- 5 - 6 高振蕩次數

正確的振蕩次數是由加工材質和工作條件決定，唯有實際操作才能夠找出最合適的振蕩次數。

使用低振蕩次數長期操作之後，應該讓電動工具以最大振蕩次數空轉約 3 分鐘來幫助機器冷卻。

### 磨盤緩速器

機器空轉時，它內部的磨盤緩速器會降低磨盤的振蕩次數，以避免將電動工具放在工件上時造成不必要的凹槽。

如果空轉振蕩次數不斷上升，代表磨盤已經損壞了必須更換，或是磨盤緩速器完全磨損了。已完全磨損的磨盤緩速器必須交由博世電動工具公司授權的客戶服務處更換。

### 作業注意事項

- ▶ **維修電動工具或換裝零、配件之前，務必從插座上拔出插頭。**
- ▶ **等待電動工具完全靜止後才能夠放下機器。**
- ▶ **本電動工具並不適用於以不移動的方式進行加工。**不得將它夾入老虎鉗或固定在工作桌上。本電動工具可配合實際應用情況從上方、側面或前方拿握（請參閱圖 E），以最省力的方式進行作業。

### 研磨平面

啟動電動工具，把整個研磨面平貼在待研磨的表面上，並均力地在工件上移動機器。

磨除效率與研磨效果原則上取決於所選用的研磨片、設定的振蕩級以及操作機器時施力的大小。

只有完好的研磨片才能夠提高研磨效率，並且保護電動工具。

操作機器時要均力施壓，如此才能夠提高研磨片的使用壽命。

在機器上施力過度，不僅無法提高研磨效率，機器反而容易損壞並加速研磨片耗損。

不可以使用研磨過金屬的研磨片來研磨其它材質。

僅可使用 **Bosch** 原廠研磨配件。

### 粗磨

安裝粒度粗的研磨片。

只能輕按電動工具，這樣它才能夠以較高的振蕩次數運轉，並達到較高的材料磨除率。

### 細磨

安裝粒度細的研磨片。

藉由稍微變換施壓力道或變更振蕩次數的設定檔速，即可降低磨盤振蕩次數但機器偏心運作的移動方式維持不變。

採用繞圈或縱向、橫向輪流的方式，力道均勻地在工件上移動電動工具。勿讓研磨機歪斜，以避免磨穿工件，例如木工貼皮。

工作完成後隨手關閉電動工具。

### 拋光

在電動工具上安裝合適的拋光工具後，例如羊毛罩、拋光絨布或拋光海綿（配件）等，也可以使用本電動工具拋光受氣候侵蝕的漆層和刮痕（例如安全玻璃）。

拋光時請選擇較低振蕩次數（檔速 1 - 2），以免表面過熱。

拋光時，先在一處小面積上塗抹拋光劑，接著再使用合適的拋光工具，採縱橫交錯或繞圈的方式，力道均勻地推抹拋光劑。

不可讓塗在拋光表面上的拋光劑乾掉，這樣會損壞拋光表面。不可以讓陽光直接照射待拋光的表面。

請定期清潔拋光工具，以確保拋光效果良好。使用溫和的清潔劑和溫水清洗拋光工具。勿使用稀釋劑。

## 維修和服務

### 維修和清潔

- ▶ **維修電動工具或換裝零、配件之前，務必從插座上拔出插頭。**
- ▶ **電動工具和通風口都必須保持清潔，這樣才能夠提高工作品質和安全性。**

如果必須更換連接線，請務必交由 **Bosch** 或者經授權的 **Bosch** 電動工具顧客服務執行，以避免危害機器的安全性能。

### 顧客服務處和顧客諮詢中心

本公司顧客服務處負責回答有關本公司產品的維修、維護和備用零件的問題。以下的網頁中有分解圖和備用零件相關資料：[www.bosch-pt.com](http://www.bosch-pt.com)

如果對本公司產品及其配件有任何疑問，博世應用諮詢小組很樂意為您提供協助。

當您需要諮詢或訂購備用零件時，請務必提供本產品型號銘牌上 10 位數的產品機號。

### 台灣

台灣羅伯特博世股份有限公司

建國北路一段90號6樓

台北市10491

電話: (02) 7734 2588

傳真: (02) 2516 1176  
www.bosch-pt.com.tw

**製造商地址:**

Robert Bosch Power Tools GmbH  
羅伯特·博世電動工具有限公司  
70538 Stuttgart / GERMANY  
70538 斯圖加特/ 德國

**以下更多客戶服務處地址:**

www.bosch-pt.com/serviceaddresses

**廢棄物處理**

必須以符合環保的方式，回收再利用損壞的機器、配件和廢棄的包裝材料。



不可以把電動工具丟入家庭垃圾中。

設備名稱：偏心研磨機，型號：GEX 125-1 AE						
限用物質及其符號						
單元	鉛 (Pb)	汞 (Hg)	鎘 (Cd)	六價鉻 (Cr <sup>+6</sup> )	多溴聯苯 (PBB)	多溴二苯醚 (PBDE)
開關	○	○	○	○	○	○
電容器	○	○	○	○	○	○
馬達	-	○	○	○	○	○
電源線	○	○	○	○	○	○
外殼( 塑料)	○	○	○	○	○	○

備考 1. "超出 0.1 wt %" 及 "超出 0.01 wt %" 係指限用物質之百分比含量超出百分比含量基準值。

備考 2. "○" 係指該項限用物質之百分比含量未超出百分比含量基準值。

備考 3. "-" 係指該項限用物質為排除項目。

**한국어**

**안전 수칙**

**전동공구 일반 안전 수칙**

**⚠경고** 본 전동공구와 함께 제공된 모  
든 안전경고, 지시사항, 그림 및  
사양을 숙지하십시오. 다음의 지시 사항을 준수하  
지 않으면 감전, 화재, 또는 심각한 부상을 초래할  
수 있습니다.

앞으로 참고할 수 있도록 이 안전수칙과 사용 설명  
서를 잘 보관하십시오.

다음에서 사용되는 "전동공구"라는 개념은 전원에  
연결하여 사용하는 (전선이 있는) 전동 기기나 배터  
리를 사용하는 (전선이 없는) 전동 기기를 의미합니  
다.

**작업장 안전**

- ▶ 작업장을 항상 깨끗이 하고 조명을 밝게 하십시  
오. 작업장 환경이 어수선하거나 어두우면 사고  
를 초래할 수 있습니다.
- ▶ 가연성 유체, 가스 또는 분진이 있어 폭발 위험이  
있는 환경에서 전동공구를 사용하지 마십시오.  
전동공구는 분진이나 증기에 접하는 스파크를  
일으킬 수 있습니다.
- ▶ 전동공구를 사용할 때 구경꾼이나 어린이 혹은  
다른 사람이 작업장에 접근하지 못하게 하십시

오. 다른 사람이 주의를 산만하게 하면 기기에 대  
한 통제력을 잃기 쉽습니다.

**전기에 관한 안전**

- ▶ 전동공구의 전원 플러그가 전원 콘센트에 잘 맞  
아야 합니다. 플러그를 절대 변경시켜서는 안 됩  
니다. (접지된) 전동공구를 사용할 때 어댑터 플  
러그를 사용하지 마십시오. 변형되지 않은 플러  
그와 잘 맞는 콘센트를 사용하면 감전의 위험을  
줄일 수 있습니다.
- ▶ 파이프 관, 라디에이터, 레인지, 냉장고와 같은 접  
지 표면에 몸이 닿지 않도록 하십시오. 몸에 닿을  
경우 감전될 위험이 높습니다.
- ▶ 전동공구를 비에 맞지 않게 하고 습기 있는 곳에  
두지 마십시오. 전동공구에 물이 들어가면 감전  
될 위험이 높습니다.
- ▶ 전원 코드를 잘못 사용하는 일이 없도록 하십시  
오. 전원 코드를 잡고 전동공구를 운반해서는 안  
되며, 콘센트에서 전원 플러그를 뽑을 때 전원 코  
드를 잡아 당겨서는 절대로 안 됩니다. 전원 코드  
가 열과 오일에 접촉하는 것을 피하고, 날카로운  
모서리나 기기의 가동 부위에 닿지 않도록 주의  
하십시오. 손상되거나 영긴 전원 코드는 감전을  
유발할 수 있습니다.
- ▶ 실외에서 전동공구로 작업할 때는 실외용으로 적  
당한 연장 전원 코드만을 사용하십시오. 실외용  
연장 전원 코드를 사용하면 감전의 위험을 줄일  
수 있습니다.

- ▶ 전동공구를 습기 찬 곳에서 사용해야 할 경우에는 누전 차단기를 사용하십시오. 누전 차단기를 사용하면 감전 위험을 줄일 수 있습니다.

#### 사용자 안전

- ▶ 신중하게 작업하며, 전동공구를 사용할 때 경솔하게 행동하지 마십시오. 피로한 상태이거나 약물 복용 및 음주한 후에는 전동공구를 사용하지 마십시오. 전동공구를 사용할 때 잠시라도 주의가 산만해지면 중상을 입을 수 있습니다.
- ▶ 작업자 안전을 위한 장치를 사용하십시오. 항상 보안경을 착용하십시오. 전동공구의 종류와 사용에 따라 먼지 보호 마스크, 미끄러지지 않는 안전화, 안전모 또는 귀마개 등의 안전한 복장을 하면 상해의 위험을 줄일 수 있습니다.
- ▶ 실수로 기기가 작동되지 않도록 주의하십시오. 전동공구를 전원에 연결하거나 배터리를 끼우기 전에, 혹은 기기를 들거나 운반하기 전에, 전원 스위치가 꺼져 있는지 다시 확인하십시오. 전동공구를 운반할 때 전원 스위치가 손가락을 대거나 전원 스위치가 켜진 상태에서 전원을 연결하면 사고 위험이 높습니다.
- ▶ 전동공구를 사용하기 전에 조절하는 톨이나 키 등을 빼 놓으십시오. 회전하는 부위에 있는 톨이나 키로 인해 상처를 입을 수 있습니다.
- ▶ 자신을 과신하지 마십시오. 불안정한 자세를 피하고 항상 평형을 이룬 상태로 작업하십시오. 안정된 자세와 평형한 상태로 작업해야만이 의외의 상황에서 전동공구를 안전하게 사용할 수 있습니다.
- ▶ 알맞은 작업복을 입으십시오. 헐렁한 복장을 하거나 장신구를 착용하지 마십시오. 머리카락이 가동하는 기기 부위에 가까이 닿지 않도록 주의하십시오. 헐렁한 복장, 장신구 혹은 긴 머리는 가동 부위에 말려 사고를 초래할 수 있습니다.
- ▶ 분진 추출장치나 수거장치의 조립이 가능한 경우, 이 장치가 연결되어 있는지, 제대로 작동이 되는지 확인하십시오. 이러한 분진 추출장치를 사용하면 분진으로 인한 사고 위험을 줄일 수 있습니다.
- ▶ 톨을 자주 사용한다고 해서 안주하는 일이 없게 하고 공구의 안전 수칙을 무시하지 않도록 하십시오. 부주의하게 취급하여 순간적으로 심각한 부상을 입을 수 있습니다.

#### 전동공구의 올바른 사용과 취급

- ▶ 기기를 과부하 상태에서 사용하지 마십시오. 작업할 때 이에 적당한 전동공구를 사용하십시오. 알맞은 전동공구를 사용하면 지정된 성능 한도 내에서 더 효율적으로 안전하게 작업할 수 있습니다.
- ▶ 전원 스위치가 고장 난 전동공구를 사용하지 마십시오. 전원 스위치가 작동되지 않는 전동공구는 위험하므로, 반드시 수리를 해야 합니다.
- ▶ 전동공구를 조정하거나 액세서리 부품 교환 혹은 공구를 보관할 때, 항상 전원 콘센트에서 플러그를 미리 빼어 놓거나 배터리를 분리하십시오. 이러한 조치는 실수로 전동공구가 작동하게 되는 것을 예방합니다.

- ▶ 사용하지 않는 전동공구는 어린이 손이 닿지 않는 곳에 보관하고, 전동공구 사용에 익숙하지 않거나 이 사용 설명서를 읽지 않은 사람은 기기를 사용해서는 안됩니다. 경험이 없는 사람이 전동공구를 사용하면 위험합니다.
- ▶ 전동공구 및 액세서리를 조심스럽게 관리하십시오. 가동 부위가 하자 없이 정상적인 기능을 하는지, 걸리는 부위가 있는지, 혹은 전동공구의 기능에 중요한 부품이 손상되지 않았는지 확인하십시오. 손상된 기기의 부품은 전동공구를 다시 사용하기 전에 반드시 수리를 맡기십시오. 제대로 관리하지 않은 전동공구의 경우 많은 사고를 유발합니다.
- ▶ 절단 공구를 날카롭고 깨끗하게 관리하십시오. 날카로운 절단면이 있고 잘 관리된 절단공구는 걸리는 경우가 드물고 조절하기도 쉽습니다.
- ▶ 전동공구, 액세서리, 장착하는 공구 등을 사용할 때, 이 지시 사항과 특별히 기종 별로 나와있는 사용 방법을 준수하십시오. 이때 작업 조건과 실시하려는 작업 내용을 고려하십시오. 원래 사용 분야가 아닌 다른 작업에 전동공구를 사용할 경우 위험한 상황을 초래할 수 있습니다.
- ▶ 손잡이 및 잡는 면을 건조하게 유지하고, 오일 및 그리스가 묻어 있지 않도록 깨끗하게 하십시오. 손잡이 또는 잡는 면이 미끄러우면 예상치 못한 상황에서 안전한 취급 및 제어가 어려워집니다.

#### 서비스

- ▶ 전동공구 수리는 반드시 전문 인력에게 맡기고, 수리 정비 시 보쉬 순정 부품만을 사용하십시오. 그렇게 함으로써 기기의 안전성을 오래 유지할 수 있습니다.

#### 그라인더 관련 안전 수칙

- ▶ 본 전동공구는 건식 작업에만 사용하십시오. 전동공구에 물이 들어가면 감전될 위험이 높습니다.
- ▶ 불꽃이 튀어 부상을 입는 사람이 없도록 유의하십시오. 근처에 가연성 물질이 남아 있지 않도록 하십시오. 금속 소재를 샌딩 작업할 경우 불꽃이 발생할 수 있습니다.
- ▶ 주의 화재위험! 가공물과 그라인더가 과열되지 않도록 하십시오. 작업을 중단하기 전에 항상 먼지 용기를 비우십시오. 먼지백, 마이크로 필터, 종이백 (또는 필터 주머니 또는 집진기의 필터)에 있는 그라인딩 분진은 금속 그라인딩 작업 시 불꽃을 발생시키거나 자체적으로 점화될 수 있습니다. 특히 그라인딩 분진이 페인트 잔여물, 폴리우레탄 잔여물 또는 기타 화확물질과 섞이고, 오랜 작업 후 가공물이 뜨거워진 상황에서는 훨씬 위험합니다.
- ▶ 전동공구의 통풍구를 정기적으로 깨끗이 닦으십시오. 모터 팬이 하우징 안으로 분진을 끌어들이며, 금속 분진이 많이 쌓이면 전기적인 위험을 야기할 수 있습니다.
- ▶ 전동공구를 내려놓기 전에 기기가 완전히 멈추었는지 확인하십시오.

- ▶ **작업물을 잘 고정하십시오.** 고정장치나 기계 바이스에 끼워서 작업하면 손으로 잡는 것보다 더 안전합니다.

## 제품 및 성능 설명



**모든 안전 수칙과 지침을 숙지하십시오.** 다음의 안전 수칙과 지침을 준수하지 않으면 화재 위험이 있으며 감전 혹은 중상을 입을 수 있습니다.

사용 설명서 앞 부분에 제시된 그림을 확인하십시오.

### 규정에 따른 사용

본 전동공구는 목재, 플라스틱, 금속, 충전물 그리고 각종 도장된 표면에 건식 샌딩 작업을 하는 데 사용해야 합니다.

전자 제어장치가 있는 전동공구는 폴리싱 작업도 가능합니다.

### 제품 사양

원형 샌더		GEX 125-1 A Professional	GEX 125-1 AE Professional
제품 번호		<b>3 601 C87 0..</b>	<b>3 601 C87 5..</b>
진동수 선택		-	●
소비 전력	W	250	250
무부하 속도 n <sub>0</sub>	min <sup>-1</sup>	12000	7500-12000
무부하 진동수	min <sup>-1</sup>	24000	15000-24000
진동 직경	mm	2.5	2.5
샌딩판 직경	mm	125	125
EPTA-Procedure 01:2014에 따른 중량	kg	1.3	1.3
보호 등급		□/II	□/II

자료는 정격전압 [U] 230V를 기준으로 한 것입니다. 전압이 다른 경우 및 국가별 사양에 따라 변동이 있을 수 있습니다.

## 조립

- ▶ **전동공구를 보수 정비하기 전에 반드시 콘센트에서 전원 플러그를 빼십시오.**

### 샌딩 페이퍼의 선택

작업하려는 소재와 표면의 깎임 정도에 따라 다양한 샌딩 페이퍼가 있습니다:

best TOP Paint	작업 소재	사용 분야	입자 크기	
	- 페인트 - 니스 - 충전재 - 충전물		페인트 연마 작업용	기본
초벌칠에 샌딩 작업용(예: 브러시 칠, 페인트 방울 및 흐른 자국)			중간	80 100 120
도장하기 전 프라이머에 최종 연마 작업용			미세	180 240 320 400

### 제품의 주요 명칭

제품의 주요 명칭에 표기되어 있는 번호는 기기 그림이 나와있는 면을 참고하십시오.

- (1) 전원 스위치
- (2) 진동수 사전 선택 조정 휠(GEX 125-1 AE)
- (3) 분진 박스 전체(마이크로 필터 시스템)
- (4) 손잡이(절연된 손잡이 부위)
- (5) 샌딩판
- (6) 샌딩 페이퍼<sup>a)</sup>
- (7) 샌딩판용 나사
- (8) 연결 부위
- (9) 필터(마이크로 필터 시스템)
- (10) 흡입 호스<sup>a)</sup>

a) 도면이나 설명서에 나와있는 액세서리는 표준 공급품에 속하지 않습니다. 전체 액세서리는 저희 액세서리 프로그램을 참고하십시오.

작업 소재	사용 분야	입자 크기	
<b>expert Wood</b> <b>best Wood</b>	Expert for Wood - 전체 목재(예: 경목, 연목, 칩보드, 건축용 패널)	초벌 샌딩 작업용(예: 대패질 전의 거친 들보 및 널빤지)	기본 40 60
	Best for Wood - 경목 - 칩 보드 - 건축용 패널 - 금속 소재	작고 고르지 않은 부위에 매끄럽게 연마하거나 고르게 연마할 때	중간 80 100 120
		목재에 최종 연마 및 미세 연마 작업용	미세 180 240 320 400
	<b>best Stone</b>	- 자동차 도료	초벌 샌딩용
- 석재		성형 연마 및 모서리 깎는 작업용	중간 100 120
- 대리석		성형 작업 시 미세 연마용	미세 180 240 320 400
- 화강암			
- 세라믹			
- 유리			
- 플렉시 유리			
- 유리 섬유 플라스틱	광택 연마 및 모서리 마무리 작업용	아주 미세 600 1200	

### 샌딩 페이퍼 교체하기(그림 A 참조)

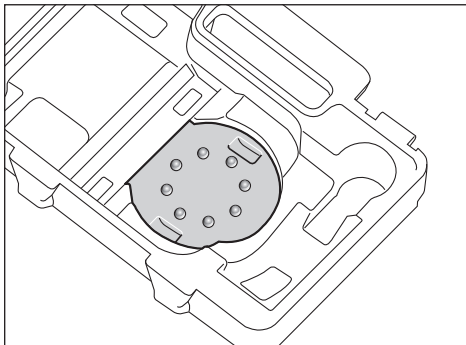
샌딩 페이퍼 (6) 교환 시 샌딩판 (5) 앞면을 잡고 당겨 빼십시오.

새로운 샌딩 페이퍼를 끼우기 전에 브러시 등을 이용해 샌딩판 (5) 의 이물질 및 분진을 제거하십시오.

샌딩판 (5) 의 표면은 접착형 소재로 되어있어 샌딩 페이퍼를 쉽고 간단히 교체할 수 있습니다.

샌딩 페이퍼 (6) 를 샌딩판 (5) 아랫면에 대고 단단히 누르십시오.

효과적으로 분진을 제거하기 위해서는 샌딩 페이퍼 (6) 의 구멍과 샌딩판 (5) 의 구멍이 일치해야 합니다.



샌딩 페이퍼 (6) 를 샌딩판 (5) 에 손쉽게 맞추기 위해 공구 가방 안에 그림과 같은 보조 조절장치를 사용할 수 있습니다. 샌딩 페이퍼의 벨크로 접착 부분

이 위로 향하게 하여 보조 조절장치 안으로 끼우고 샌딩판이 있는 전동공구를 그 위로 짝 누르십시오.

### 샌딩판의 선택

본 전동공구는 작업 용도에 따라 다양한 강도의 샌딩판을 적용할 수 있습니다:

- 부드러운 샌딩판: 폴리싱 작업과 섬세한 샌딩 작업 및 휘어진 표면에 적합.
- 중간 강도의 샌딩판: 범용적이며 모든 샌딩 작업 가능.
- 경질의 샌딩판: 평평한 표면에 높은 강도의 작업에 적합.

### 샌딩판 교체하기(그림 B 참조)

**지침:** 샌딩판 (5) 이 손상된 경우 즉시 교체하십시오.

샌딩판에 부착되어 있는 샌딩 페이퍼나 폴리싱 공구를 빼십시오. 4개 볼트 (7) 를 돌려 완전히 빼낸 후 샌딩판 (5) 을 분리하십시오. 새로운 샌딩판 (5) 을 끼우고 볼트를 다시 체결하십시오.

**지침:** 샌딩판을 끼울 때 샌딩판 뒤쪽에 구동 부분과 맞물리는 흡니형 홈더가 있는데 이를 맞추어 끼워 주어야 합니다.

**지침:** 손상된 샌딩판 베이스는 반드시 보쉬 지정 전동공구 전문 서비스 센터에 맡겨 교환하십시오.

### 분진 및 톱밥 추출장치

납 성분을 포함한 페인트나 몇몇 나무 종류, 또는 광물 성분 그리고 철과 같은 재료의 분진은 건강을 해칠 수 있습니다. 이 분진을 만지거나 호흡할 경우, 사용자나 주변 사람들이 알레르기 반응이나 호흡기 장애를 일으킬 수 있습니다.

떨거나 무나 너도밤나무와 같은 특정한 분진은 암을 유발시키며, 특히 목재 처리용으로 사용되는 부가 원료 (크로마트, 목재 보호제)와 혼합되면 암을 유발시키게 됩니다. 석면 성분을 포함한 재료는 전문가만 작업할 수 있습니다.

- 가능하면 작업물 소재에 적당한 분진 추출장치를 사용하십시오.
- 작업장의 통풍이 잘 되도록 하십시오.
- 필터등급 P2가 장착된 호흡 마스크를 사용하십시오.

작업용 재료에 관해 국가가 지정한 규정을 고려하십시오.

▶ **작업장에 분진이 쌓이지 않도록 하십시오.** 분진이 쉽게 발화할 수 있습니다.

### 분진 박스를 통한 자체 분진 처리(그림 C1-C4 참조)

분진 박스 세트 (3) 가 맞물려 고정될 때까지 연결 부위 (8) 쪽으로 미십시오.

분진 박스 (3) 가 투명한 용기로 되어있어 분진의 수위 상태를 쉽게 확인할 수 있습니다.

분진 박스 (3) 를 비우려면 박스를 회전시켜 아래쪽으로 빼내십시오.

분진 박스 (3) 를 열기 전에 그림에 나와 있는 것처럼 단단한 바닥에 두드려 필터 부위에 있는 분진을 분리하는 것이 좋습니다.

분진 박스 (3) 를 꼭 잠근 채, 필터 (9) 를 위로 당긴 후 분진 박스를 비웁니다. 필터 (9) 의 결면을 부드러운 솔로 깨끗이 닦으십시오.

### 외부 분진 처리(그림 D 참조)

흡입 호스 (10) 를 연결 부위 (8) 에 끼우십시오.

흡입 호스 (10) 를 진공 청소기에 연결하십시오. 다양한 진공 청소기 연결에 관한 정보는 본 설명서의 첫 부분에서 확인할 수 있습니다.

진공 청소기는 작업하는 소재에 적당한 것이어야 합니다.

특히 건강에 유해한 발암성 혹은 건조한 분진을 처리해야 할 경우에는 특수한 청소기를 사용해야 합니다.

## 작동

### 기계 시동

▶ **전원의 전압에 유의하십시오! 공급되는 전원의 전압은 전동공구의 명판에 표기된 전압과 동일해야 합니다. 230 V 로 표시된 전동공구는 220 V 에서도 작동이 가능합니다.**

### 전원 스위치 작동

▶ **손잡이에서 손을 떼지 않고 전원 스위치를 작동할 수 있는지 확인하십시오.**

전동공구의 전원을 켜려면 전원 스위치 (1) 를 우측 "I" 위치로 기울이십시오.

전동공구의 전원을 끄려면 전원 스위치 (1) 를 좌측 "O" 위치로 기울이십시오.

### 진동수 선택하기 (GEX 125-1 AE)

기기가 작동 중에도 진동수 선택 스위치 (2) 로 필요한 진동수를 선택할 수 있습니다.

- 1 - 2 낮은 속도
- 3 - 4 중간 속도
- 5 - 6 높은 속도

필요한 진동수는 작업하려는 소재와 작업 조건에 따라 달라지므로 직접 시험을 통해 결정할 수 있습니다.

느린 속도로 장시간 연속 작업을 했을 경우 전동공구를 식히기 위해 약 3분간 무부하 상태의 최고 속도로 작동하여 주십시오.

### 샌딩판 제동장치

전동공구를 작업물 표면에 댈 때 굽히지 않도록 하기 위해 무부하 시에는 내장된 샌딩판 제동장치의 의해 속도가 감소됩니다.

시간이 지나면서 무부하 속도가 상승하면, 샌딩판이 손상되어 이를 교체해야 하거나 샌딩판 제동장치가 마모됩니다. 마모된 샌딩판 제동장치는 반드시 보쉬 지정 전동공구 전문 서비스 센터에 맡겨 교환하십시오.

### 사용 방법

▶ **전동공구를 보수 정비하기 전에 반드시 콘센트에서 전원 플러그를 빼십시오.**

▶ **전동공구를 내려놓기 전에 기기가 완전히 멈추었는지 확인하십시오.**

▶ **본 전동공구는 고정시켜 작업하는 용도로는 적합하지 않습니다.** 예를 들어 바이스에 고정시키거나 작업 거치대에 고정시켜 사용할 수 없습니다.

작업 시 피로하지 않도록 전동공구를 사용 분야에 따라 위나 옆에서 혹은 앞에서 잡을 수 있습니다(그림 E 참조).

### 표면 샌딩 작업

전동공구의 스위치를 켜고 기기의 전체 샌딩 면을 작업하려는 바닥에 놓고 일정한 압력을 가하여 작업하도록 하십시오.

샌딩작업의 성공 여부와 결과는 대체로 샌딩 페이퍼의 선택, 설정한 진동 단계 그리고 누르는 힘에 따라 좌우됩니다.

아무런 하자가 없는 샌딩 페이퍼를 사용해야 훌륭한 샌딩 작업 결과를 얻을 수 있고 전동공구를 보호할 수 있습니다.

일정한 압력으로 작업을 하면 샌딩 페이퍼의 수명을 연장할 수 있습니다.

지나치게 눌러 작업을 하면, 샌딩 효과가 좋아지는 것이 아니라 전동공구와 샌딩 페이퍼가 더 빨리 소모됩니다.

금속 소재에 사용했던 샌딩 페이퍼를 다른 소재에 사용해서는 안 됩니다.

**Bosch** 순정 샌딩 액세서리만 사용하십시오.

### 조도 연마

굵은 입방수의 샌딩 페이퍼를 끼웁니다.



높은 속도로 작동하여 피드가 많이 생기도록 전동공구를 가볍게 눌러 주십시오.

**미세 연마**

미세한 입방수의 샌딩 페이퍼를 끼웁니다. 기기에 가하는 힘을 약간 변경하거나 작업 속도 단계를 조정하면 원형 동작을 그대로 유지하면서 진동수를 줄일 수 있습니다. 작업물 표면에 적당한 압력을 가하면서 원형으로 혹은 가로세로로 번갈아가며 전동공구를 움직입니다. 베니어 판 등 작업물이 뒤틀어지는 경우를 피하기 위하여 전동공구를 기울여 작동하지 마십시오. 작업을 마치고 나서 전동공구의 스위치를 끕니다.

**폴리싱 작업**

비바람에 바랜 페인트 도장 부위를 폴리싱 하거나 아크릴 유리 등의 굽힌 부분을 다시 폴리싱 해야 할 때 전동공구에 양털이나 폴리싱 펠트 또는 스펀지 (별매 액세서리) 등 적당한 폴리싱 부품을 장착하여 작업할 수 있습니다. 폴리싱 작업을 할 때는 표면이 과열되지 않도록 낮은 속도 (1 - 2단)를 선택하십시오. 폴리싱 작업을 하려는 부위보다 약간 작은 표면에 연마제를 바르십시오. 적합한 폴리싱 공구를 사용하여 연마제를 십자선으로 교차하며 혹은 원을 그리듯이 움직이며 살짝 누르면서 작업하십시오. 연마제를 표면 위에서 건조시키지 마십시오. 표면이 손상될 수 있습니다. 폴리싱 작업해야 할 표면이 직사광선에 노출되지 않게 하십시오. 폴리싱 작업 결과가 잘 나오도록 폴리싱 공구를 주기적으로 세척하십시오. 폴리싱 공구는 중성 세제와 온수로 세척해야 하며 희석제를 사용해서는 안 됩니다.

**보수 정비 및 서비스**

**보수 정비 및 유지**

- ▶ 전동공구를 보수 정비하기 전에 반드시 콘센트에서 전원 플러그를 빼십시오.
- ▶ 안전하고 올바른 작동을 위하여 전동공구와 전동공구의 통풍구를 항상 깨끗이 하십시오.

연결 코드를 교환해야 할 경우 안전을 기하기 위해 Bosch 또는 Bosch 지정 전동공구 서비스 센터에 맡겨야 합니다.

**AS 센터 및 사용 문의**

AS 센터에서는 귀하 제품의 수리 및 보수정비, 그리고 부품에 관한 문의를 받고 있습니다. 대체 부품에 관한 분해 조립도 및 정보는 인터넷에서도 찾아볼 수 있습니다 - [www.bosch-pt.com](http://www.bosch-pt.com) 보쉬 사용 문의 팀에서는 보쉬의 제품 및 해당 액세서리에 관한 질문에 기꺼이 답변 드릴 것입니다. 문의나 대체 부품 주문 시에는 반드시 제품 네임 플레이트에 있는 10자리의 부품번호를 알려 주십시오. 콜센터 080-955-0909

다른 AS 센터 주소는 아래 사이트에서 확인할 수 있습니다:

[www.bosch-pt.com/serviceaddresses](http://www.bosch-pt.com/serviceaddresses)

**처리**

기기와 액세서리 및 포장 등은 환경 친화적인 방법으로 재생할 수 있도록 분류하십시오. 전동공구를 가정용 쓰레기로 처리하지 마십시오!



**ไทย**

**คำเตือนเพื่อความปลอดภัย**

**คำเตือนเพื่อความปลอดภัยทั่วไปสำหรับเครื่องมือไฟฟ้า**

**คำเตือน** อ่านคำเตือนเพื่อความปลอดภัย คำแนะนำ ภาพประกอบ และข้อมูลจำเพาะทั้งหมดที่จัดส่งมาพร้อมกับเครื่องมือไฟฟ้า การไม่ปฏิบัติตามคำแนะนำทั้งหมดที่ระบุไว้ด้านล่างนี้อาจทำให้ถูกไฟฟ้าดูด เกิดไฟไหม้ และ/หรือได้รับบาดเจ็บอย่างร้ายแรง **เก็บรักษาคำเตือนและคำสั่งทั้งหมดสำหรับเปิดอ่านในภายหลัง**

คำว่า "เครื่องมือไฟฟ้า" ในคำเตือนหมายถึง เครื่องมือไฟฟ้าของท่านที่ทำงานด้วยพลังงานไฟฟ้าจากแหล่งจ่ายไฟหลัก (มีสายไฟฟ้า) และเครื่องมือไฟฟ้าที่ทำงานด้วยพลังงานไฟฟ้าจากแบตเตอรี่ (ไร้สาย)

**ความปลอดภัยในสถานที่ทำงาน**

- ▶ รักษาสถานที่ทำงานให้สะอาดและมีไฟส่องสว่างดี สถานที่ที่มีมืดหรือรถวิ่งเข้ามาซึ่งอุบัติเหตุ
- ▶ อย่าใช้เครื่องมือไฟฟ้าทำงานในสภาพบรรยากาศที่จุดติดไฟได้ เช่น ในที่ที่มีของเหลวไวไฟ ก๊าซ หรือฝุ่น เมื่อใช้เครื่องมือไฟฟ้าจะเกิดประกายไฟซึ่งอาจจุดฝุ่นหรือไอให้ลุกเป็นไฟได้
- ▶ ขณะใช้เครื่องมือไฟฟ้าทำงาน ต้องกันเด็กและผู้ยี่นดูให้ออกห่าง การหันเหความสนใจอาจทำให้ท่านขาดการควบคุมเครื่อง

### ความปลอดภัยเกี่ยวกับไฟฟ้า

- ▶ ปลั๊กของเครื่องมือไฟฟ้าต้องเหมาะสมพอดีกับเต้าเสียบ อย่าตัดแปลงปลั๊กไม่ว่าในลักษณะใดๆ อย่างเด็ดขาด อย่าใช้ปลั๊กห้วงต่อใดๆ กับเครื่องมือไฟฟ้าที่มีสายดิน ปลั๊กที่ไม่ตัดแปลงและเต้าเสียบที่เข้ากันช่วยลดความเสี่ยงจากการถูกไฟฟ้าดูด
- ▶ หลีกเลี่ยงอย่าให้ร่างกายสัมผัสกับพื้นผิวที่ต่อสายดินหรือลงกราวด์ไว้ เช่น ท่อ เครื่องทำความร้อน เตา และตู้เย็น จะเสี่ยงอันตรายจากการถูกไฟฟ้าดูดมากขึ้นหากกระแสไฟฟ้าวิ่งผ่านร่างกายของท่านลงดิน
- ▶ อย่าให้เครื่องมือไฟฟ้าถูกฝนหรืออยู่ในสภาพเปียกชื้น หากน้ำเข้าในเครื่องมือไฟฟ้า จะเพิ่มความเสี่ยงจากการถูกไฟฟ้าดูด
- ▶ อย่าใช้สายไฟฟ้าในทางที่ผิด อย่าใช้สายไฟฟ้าเพื่อยก ding หรือถอดปลั๊กเครื่องมือไฟฟ้า กันสายไฟฟ้่ออกห่างจากความร้อน น้ำมัน ขอบแหลมคม หรือชิ้นส่วนที่เคลื่อนที่ สายไฟฟ้าที่ชำรุดหรือพันกันยุ่งเพิ่มความเสี่ยงจากการถูกไฟฟ้าดูด
- ▶ เมื่อใช้เครื่องมือไฟฟ้าทำงานกลางแจ้ง ให้ใช้สายไฟต่อที่เหมาะสมสำหรับการใช้งานกลางแจ้ง การใช้สายไฟต่อที่เหมาะสมสำหรับงานกลางแจ้ง ช่วยลดอันตรายจากการถูกไฟฟ้าดูด
- ▶ หากไม่สามารถหลีกเลี่ยงการใช้เครื่องมือไฟฟ้าทำงานในสถานที่เปียกชื้นได้ ให้ใช้สวิตต์ดว้งจรเมื่อเกิดการรั่วไหลของไฟฟ้าจากสายดิน (RCD) การใช้สวิตต์ดว้งจรเมื่อเกิดการรั่วไหลของไฟฟ้าจากสายดินช่วยลดความเสี่ยงต่อการถูกไฟฟ้าดูด

### ความปลอดภัยของบุคคล

- ▶ ท่านต้องอยู่ในสภาพเตรียมพร้อม ระมัดระวังในสิ่งที่ท่านกำลังทำอยู่ และมีสติขณะใช้เครื่องมือไฟฟ้าทำงาน อย่าใช้เครื่องมือไฟฟ้าขณะที่ท่านกำลังเหนื่อย หรืออยู่ภายใต้การครอบงำของฤทธิ์ของยาเสพติด แอลกอฮอล์ และยา เมื่อใช้เครื่องมือไฟฟ้าทำงานในชั่วโมงที่ท่านขาดความเอาใจใส่อาจทำให้บุคคลบาดเจ็บอย่างรุนแรงได้
- ▶ ใช้อุปกรณ์ปกป้องร่างกาย สวมแว่นตาป้องกันเสมอ อุปกรณ์ปกป้อง เช่น หน้ากากกันฝุ่น รองเท้ากันลื่น หมวกแข็ง หรือประคบหูกันเสียงดังที่ไซตามความเหมาะสมกับสภาพการทำงาน จะลดการบาดเจ็บทางร่างกาย
- ▶ ป้องกันการติดเครื่องโดยไม่ตั้งใจ ตรวจสอบให้แน่ใจว่าสวิตซ์อยู่ในตำแหน่งปิดก่อนเชื่อมต่อเข้ากับแหล่งจ่ายไฟ และ/หรือเบรกเตอร์แพ็ค ยกหรือถือเครื่องมือการถือเครื่องโดยใช้นิ้วหัวที่สวิตซ์ หรือเสียบปลั๊กไฟฟ้าขณะสวิตซ์เปิดอยู่ อาจนำไปสู่อุบัติเหตุที่ร้ายแรงได้

- ▶ นำเครื่องมือปรับแต่งหรือประแจปากตายออกก่อนเปิดสวิตซ์เครื่องมือไฟฟ้า เครื่องมือหรือประแจปากตายที่วางอยู่กับส่วนของเครื่องที่กำลังหมุนจะทำให้บุคคลบาดเจ็บได้
- ▶ อย่าเอื้อมไกลเกินไป ตั้งหาขีที่มั่นคงและวางน้ำหนักให้สมดุลตลอดเวลา ในลักษณะนี้ท่านสามารถควบคุมเครื่องมือไฟฟ้าในสถานการณ์ที่ไม่คาดคิดได้ดีกว่า
- ▶ แต่งกายอย่างเหมาะสม อย่าใส่เสื้อผ้าหลวมหรือสวมเครื่องประดับ เอาผมและเสื้อผ้าออกจากชิ้นส่วนที่เคลื่อนที่ เสื้อผ้าหลวม เครื่องประดับ และผม ยาวอาจเข้าไปติดในชิ้นส่วนที่เคลื่อนที่
- ▶ หากเครื่องมือไฟฟ้ามีข้อเชื่อมต่อกับเครื่องดูดฝุ่นหรือเครื่องเก็บผง ให้ตรวจสอบให้แน่ใจว่าได้เชื่อมต่อและใช้งานอย่างถูกต้อง การใช้อุปกรณ์ดูดฝุ่นช่วยลดอันตรายที่เกิดจากฝุ่นได้
- ▶ เมื่อใช้งานเครื่องบ่อยครั้งจะเกิดความคุ้นเคย อย่าให้ความคุ้นเคยทำให้ท่านเกิดความชะล่าใจและละเลยกฎเกณฑ์ด้านความปลอดภัยในการใช้งานเครื่อง การทำงานอย่างไม่ระมัดระวังอาจทำให้เกิดการบาดเจ็บอย่างร้ายแรงภายในเสี้ยววินาที

### การใช้และการดูแลรักษาเครื่องมือไฟฟ้า

- ▶ อย่าฝืนกำลังเครื่องมือไฟฟ้า ใช้เครื่องมือไฟฟ้าที่ถูกต้องตรงตามลักษณะงานของท่าน เครื่องมือไฟฟ้าที่ถูกต้องจะทำงานได้ดีกว่าและปลอดภัยกว่าในระดับสมรรถภาพที่ออกแบบไว้
- ▶ อย่าใช้เครื่องมือไฟฟ้าถ้าสวิตซ์ไม่สามารถเปิดปิดได้ เครื่องมือไฟฟ้าที่ไม่สามารถควบคุมการเปิดปิดด้วยสวิตซ์ได้ เป็นเครื่องมือไฟฟ้าที่ไม่ปลอดภัยและต้องส่งซ่อมแซม
- ▶ ก่อนปรับแต่งเครื่อง เปลี่ยนอุปกรณ์ประกอบ หรือเก็บเครื่องเข้าที่ ต้องถอดปลั๊กออกจากแหล่งจ่ายไฟ และ/หรือถอดเบรกเตอร์แพ็คออกจากเครื่องมือไฟฟ้าหากถอดออกได้ มาตรการป้องกันเพื่อความปลอดภัยนี้ช่วยลดความเสี่ยงจากการติดเครื่องโดยไม่ตั้งใจ
- ▶ เมื่อเลิกใช้งานเครื่องมือไฟฟ้า ให้เก็บเครื่องมือในที่ที่เด็กหยิบไม่ถึง และไม่อนุญาตให้บุคคลที่ไม่คุ้นเคยกับเครื่องมือไฟฟ้าเป็นขออนุญาต หากตกอยู่ในมือของผู้ใช้ที่ไม่ได้รับการฝึกฝน
- ▶ บำรุงรักษาเครื่องมือไฟฟ้าและอุปกรณ์ประกอบ ตรวจสอบชิ้นส่วนที่เคลื่อนที่ว่าวางไม่ตรงแนวหรือติดขัดหรือไม่ ตรวจสอบการแตกหักของชิ้นส่วนและสภาพอื่นใดที่อาจมีผลต่อการทำงานของเครื่องมือไฟฟ้า หากชำรุดต้องส่งเครื่องมือไฟฟ้าไปซ่อมแซมก่อนใช้งาน

อุบัติเหตุหลายอย่างเกิดขึ้นเนื่องจากดูแลรักษาเครื่องไม่  
ดีพอ

- ▶ **รักษาเครื่องมือตัดให้คมและสะอาด**  
หากบำรุงรักษาเครื่องมือที่มีขอบตัดแหลมคมอย่างถูกต้อง  
จะสามารถตัดได้ลื่นไม่ติดขัดและควบคุมได้ง่ายกว่า
- ▶ **ใช้เครื่องมือไฟฟ้า อุปกรณ์ประกอบ เครื่องมือ และอุปกรณ์  
อื่นๆ ตรงตามคำแนะนำเหล่านี้ โดยคำนึงถึง  
เงื่อนไขการทำงานและงานที่จะทำ** การใช้เครื่อง  
มือไฟฟ้าทำงานที่ต่างไปจากวัตถุประสงค์การ  
ใช้งานของเครื่อง อาจนำไปสู่สถานการณ์ที่เป็นอันตรายได้
- ▶ **ดูแลด้ามจับและพื้นผิวจับให้แห้ง สะอาด และปราศจาก  
คราบน้ำมันและจาระบี** ด้ามจับและพื้นผิว  
จับที่ลื่นทำให้หยิบจับได้ไม่ปลอดภัย  
และไม่สามารถควบคุมเครื่องมือในสถานการณ์ที่ไม่คาดคิด

#### การบริการ

- ▶ **ส่งเครื่องมือไฟฟ้าของท่านเข้ารับบริการจากช่าง  
ซ่อมที่มีคุณสมบัติเหมาะสม โดยใช้อะไหล่ที่เหมือน  
กันเท่านั้น** ในลักษณะนี้ท่านจะแน่ใจได้ว่าเครื่อง  
มือไฟฟ้าอยู่ในสภาพที่ปลอดภัย

#### คำเตือนเพื่อความปลอดภัยสำหรับเครื่องขัด

- ▶ **ใช้เครื่องมือไฟฟ้าสำหรับการขัดแห้งเท่านั้น**  
หากนำเข้าไปในเครื่องมือไฟฟ้า จะเพิ่มความเสี่ยงต่อการ  
ถูกไฟฟ้าดูด
- ▶ **ตรวจสอบให้แน่ใจว่าจะไม่มีบุคคลใดได้  
รับอันตรายจากประกายไฟ นำวัตถุใดๆ  
ที่ติดไฟได้ในบริเวณใกล้เคียงออกไป** จะเกิดประกาย  
ไฟเมื่อขัดโลหะ
- ▶ **ระวังอันตรายจากไฟไหม้! หลีกเลี่ยงการทำให้วัสดุขึ้น  
งานและเครื่องขัดร้อนเกินไป** ปล่อยให้ออกจากกล่องเก็บ  
ผงก่อนพักงานทุกครั้ง ในสถานการณ์ที่ไม่เหมาะสม ต. ย.  
เช่น เมื่อเกิดประกายไฟขณะขัดโลหะ เศษผงที่ได้จากการ  
ขัดที่อยู่ในถุงเก็บผง เครื่องกรองไมโคร หรือถุงกระดาษ  
(หรือในถุงกรอง หรือตัวกรองของเครื่องดูดฝุ่น) อาจจุด  
ลุกเป็นไฟขึ้นเองได้ จะเป็นอันตรายอย่างยิ่งเมื่อเศษ  
ผงผสมปนกับเศษสารเคลือบเงา เศษโพลียูรีเทน  
หรือเศษวัสดุเคมีอื่นๆ และเมื่อเศษผงขัดเกิดร้อนขึ้นหลังจาก  
ใช้เครื่องทำงานเป็นเวลานาน
- ▶ **ทำความสะอาดช่องระบายอากาศของเครื่องมือไฟฟ้า  
อย่างสม่ำเสมอ** พัดลมของมอเตอร์จะดูดผง

ฝุ่นเข้าไปในหม้อครอบ และผงโลหะที่ฟุ้งกระจายมาก  
อาจทำให้เกิดอันตรายจากไฟฟ้าได้

- ▶ **รอให้เครื่องมือไฟฟ้าหยุดนิ่งอยู่กับที่ก่อนวางเครื่องลง  
บนพื้น**
- ▶ **ยึดชิ้นงานให้แน่น** การยึดชิ้นงานด้วยเครื่องหนีบหรือแท่น  
จับจะมั่นคงกว่าการยึดด้วยมือ

## รายละเอียดผลิตภัณฑ์และข้อมูล

### จำเพาะ



**อ่านคำเตือนเพื่อความปลอดภัยและคำ  
แนะนำทั้งหมด** การไม่ปฏิบัติตามคำเตือนและ  
คำสั่งอาจเป็นสาเหตุให้ถูกไฟฟ้าดูด เกิดไฟไหม้  
และ/หรือได้รับบาดเจ็บอย่างร้ายแรง

กรุณาดูภาพประกอบในส่วนหน้าของคู่มือการใช้งาน

### ประโยชน์การใช้งานของเครื่อง

เครื่องมือไฟฟ้านี้ใช้สำหรับขัดแห้งบนไม้ พลาสติก โลหะ วัสดุ  
อุดแทรก และผิวเคลือบเงา  
เครื่องมือไฟฟ้าที่ควบคุมด้วยระบบอิเล็กทรอนิกส์ใช้สำหรับขัด  
เงาได้ด้วย

### ส่วนประกอบที่แสดงภาพ

ลำดับเลขของส่วนประกอบผลิตภัณฑ์อ้างอิงส่วน  
ประกอบของเครื่องที่แสดงในหน้าภาพประกอบ

- (1) สวิตช์เปิด-ปิด
- (2) สวิตช์ตั้งอัตราแกว่งสันสะท้อนล่วงหน้า (GEX 125-1 AE)
- (3) กล่องเก็บผง สมบูรณ์แบบ (Microfilter System)
- (4) ด้ามจับ (พื้นผิวจับหุ้มฉนวน)
- (5) จานรองขัด
- (6) กระดาษทราย<sup>a)</sup>
- (7) สกรูสำหรับจานรองขัด
- (8) ช่องระบายออก
- (9) ตัวกรอง (Microfilter System)
- (10) ท่อดูดฝุ่น<sup>a)</sup>

- a) อุปกรณ์ประกอบที่แสดงภาพหรืออธิบายไม่รวมอยู่ในการ  
จัดส่งมาตรฐาน  
กรุณาดูอุปกรณ์ประกอบทั้งหมดในรายการแสดงอุปกรณ์ประ  
กอบของเรา

## ข้อมูลทางเทคนิค

เครื่องขัดกระดาษทรายระบบลูกเบี้ยว		GEX 125-1 A Professional	GEX 125-1 AE Professional
หมายเลขสินค้า		3 601 C87 0..	3 601 C87 5..
การตั้งอัตราแวงเส้นสะท้อนลวงหน้า		-	●
กำลังไฟฟ้าที่ติดตั้ง	วัตต์	250	250
ความเร็วรอบเดินตัวเปล่า n <sub>0</sub>	min <sup>-1</sup>	12000	7500-12000
อัตราแวงเส้นสะท้อนเดินตัวเปล่า	min <sup>-1</sup>	24000	15000-24000
ระยะเหวี่ยง	มม.	2.5	2.5
เส้นผ่าศูนย์กลางจานรองขัด	มม.	125	125
น้ำหนักตามระเบียบการ EPTA-Procedure 01:2014	กก.	1.3	1.3
ระดับความปลอดภัย		☐/II	☐/II

ค่าที่ให้ไว้ใช้ได้กับแรงดันไฟฟ้าอิมินอล [U] 230 โวลต์ค่าเหล่านี้อาจเปลี่ยนแปลงไปสำหรับแรงดันไฟฟ้าที่แตกต่างกันและโมเดลที่ผลิตสำหรับเฉพาะประเทศ

## การติดตั้ง

## ▶ ดึงปลั๊กไฟออกจากเต้าเสียบก่อนปรับแต่งเครื่อง

## การเลือกกระดาษทราย

ท่านสามารถเลือกใช้กระดาษทรายชนิดต่างๆ กัน ตามประเภทวัสดุชิ้นงาน และตามความหนาที่ต้องการขัดออก:

วัสดุ	การใช้งาน	ขนาดเม็ดทราย		
		แบบ	คร่าวๆ	
best for Paint	สำหรับขัดสีออก	แบบ	40	
		คร่าวๆ	60	
	สำหรับขัดสีรองพื้น (ต. ย. เช่น ขัดเอาเส้นขีดแปรง หยดสี และสีย่อยออก)	ปานกลาง		80
				100
		สำหรับขัดสีรองพื้นขั้นสุดท้ายก่อนฉาบผิว	แบบ	180
			ละเอียด	240
		320		
		400		

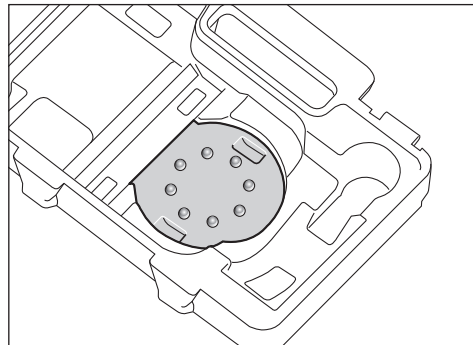
วัสดุ	การใช้งาน	ขนาดเม็ดทราย			
expert Wood best Wood	เชืยวชาญสำหรับไม้ - วัสดุที่เป็นไม้ทั้งหมด (ต. ย. เช่น ไม้เนื้อแข็ง ไม้เนื้ออ่อน ชิปบอร์ด แผ่นไม้อัดสำหรับงานก่อสร้าง)	สำหรับขัดหยาบ ต. ย. เช่น ไม้คานและแผ่น กระดานขรุขระไม่ราบเรียบ	แบบ	40	
			คร่าวๆ	60	
	ดีที่สุดสำหรับไม้ - ไม้เนื้อแข็ง - ชิปบอร์ด - แผ่นไม้อัดสำหรับงานก่อสร้าง - วัสดุที่เป็นโลหะ	สำหรับขัดไม้ชั้นสำเร็จและขัดละเอียด	แบบละเอียด	ปานกลาง	80
					100
					180
					240
			320		
			400		
best Stone	- สิฟนรยนต์ - หิน	สำหรับการเริ่มขัด	แบบ	80	
			คร่าวๆ		
	- หินอ่อน - หินแกรนิต	สำหรับขัดขึ้นรูปและตัดขอบ		ปานกลาง	100
					120
	- เซรามิก - แก้ว - เฟล็กซีกลาส - พลาสติคเสริมใยแก้ว	สำหรับขัดขั้นสุดท้ายและจัดรูป	แบบละเอียด		180
					240
				320	
				400	
	สำหรับขัดเงาและขัดขอบให้กลม	ละเอียดมาก	600		
			1200		

### การเปลี่ยนกระดาษทราย (ดูภาพประกอบ A)

เมื่อต้องการเอากระดาษทราย (6) ออก ให้ยกตรงด้านข้างของกระดาษทราย และดึงกระดาษทรายออกจากจานรองขัด (5)

ก่อนใส่กระดาษทรายแผ่นใหม่ ให้เอาฝุ่นและเศษผงออกจากจานรองขัด (5) ต. ย. เช่น โดยใช้แปรงปัดออก พื้นผิวของจานรองขัด (5) บุด้วยดินตุ๊กแกเพื่อให้ท่านสามารถยึดกระดาษทรายกับดินตุ๊กแกได้อย่างง่ายดายและรวดเร็ว กัดกระดาษทราย (6) เข้าบนโครงสร้างจานรองขัด (5) อย่างมั่นคง

เพื่อให้ตุ๊กแกออกได้ดีที่สุด ต้องตรวจสอบให้แน่ใจว่ารูเจาะในกระดาษทราย (6) ตรงกับรูในจานรองขัด (5)



สำหรับการปรับกระดาษทราย (6) ให้พอดีกับจานรองขัด (5) อย่างง่ายดาย ให้ใช้อุปกรณ์ช่วยปรับ ในกล่องเครื่องมือ ดังแสดงในภาพประกอบ วางกระดาษทรายลงในอุปกรณ์ช่วยปรับ โดยให้ดินตุ๊กแกหันขึ้นด้านบน และกดเครื่องมือไฟฟ้า พร้อมจานรองขัดลงอย่างแน่นหนา

### การเลือกจากรองขัด

เครื่องมือไฟฟ้าสามารถติดตั้งจานรองขัดที่มีความแข็งต่างๆ กัน ตามประเภทการใช้งาน:

- จานรองขัด นิ่มพิเศษ: เหมาะสำหรับการขัดเงาและการขัดที่ละเอียดอ่อน รวมทั้งการขัดบนพื้นผิวโค้งนูน
- จานรองขัด แข็งปานกลาง: เหมาะสำหรับงานขัดทุกประเภท ใช้ได้กับงานทั่วไป
- จานรองขัด แข็ง: เหมาะสำหรับการขัดออกปริมาณมากบนพื้นผิวเรียบแบน

### การเปลี่ยนจานรองขัด (ดูภาพประกอบ B)

**หมายเหตุ:** ต้องเปลี่ยนจานรองขัด (5) ที่ชำรุดโดยทันที ดึงกระดาษทรายหรืออุปกรณ์ขัดเงาออก ชันสกรู 4 ตัว (7) ออกจนสุด และถอดจานรองขัด (5) ออกติดตั้งจานรองขัด (5) แผ่นใหม่ และขันสกรูลับเข้าให้แน่น

**หมายเหตุ:** เมื่อประกอบจานรองขัดเข้า ดูให้มั่นใจว่าพื้นเกี่ยวของตัวขับเคลื่อนได้ขยับเข้าในช่องเปิดของจานรองขัด

**หมายเหตุ:** หากฐานจานรองขัดชำรุด ต้องส่งเครื่องให้ศูนย์บริการหลังการขายสำหรับเครื่องมือไฟฟ้า บอช ที่ได้รับมอบหมาย ทำการเปลี่ยนให้เท่านั้น

### การดูดฝุ่น/ซีลื้อย

ฝุ่นที่ได้จากวัสดุ เช่น เคลือบผิวที่มีสารตะกั่ว ไม้ยางประเภท แร่ธาตุ และโลหะ อาจเป็นอันตรายต่อสุขภาพ การสัมผัสหรือการหายใจเอาฝุ่นเข้าไปอาจทำให้เกิดปฏิกิริยาแพ้ฝุ่น และ/หรือนำมาซึ่งโรคติดเชื้อระบบหายใจแก่ผู้ใช้เครื่องหรือผู้ที่ยืนอยู่ใกล้เคียง

ฝุ่นบางประเภท เช่น ฝุ่นไม้โอ๊ก หรือไม้บีช นับเป็นสารที่ทำให้เกิดมะเร็ง โดยเฉพาะอย่างยิ่งเมื่อผสมกับสารเติมแต่งเพื่อบำบัดไม้ (โครเมต ผลิตภัณฑ์รักษาเนื้อไม้) สำหรับวัสดุที่มีแอลเบสทอลต้องใหญ่เชี่ยวชาญทำงานเท่านั้น

- ใช้ระบบดูดฝุ่นออกที่เหมาะสมกับประเภทวัสดุ มากเท่าที่จะทำได้
- จัดสถานที่ทำงานให้มีการระบายอากาศที่ดี
- ขอแนะนำให้สวมหน้ากากป้องกันกาติดต่อที่มีระดับ-ใส่กรอง P2

ปฏิบัติตามกฎข้อบังคับสำคัญอื่นๆ ที่เกี่ยวกับวัสดุชิ้นงานที่บังคับใช้ในประเทศของท่าน

#### ▶ ป้องกันการสะสมของฝุ่นในสถานที่ทำงาน

ฝุ่นสามารถถูกใหม่อย่างง่ายตาย

### การดูดฝุ่นในตัวพร้อมกล่องเก็บผง (ดูภาพประกอบ C1-C4)

ใส่กล่องเก็บผง (3) เข้านท่ระบายออก (8) จนเข้าล็อก

ท่านสามารถตรวจสอบระดับเต็มผงของกล่องเก็บผง (3) ผ่านภาชนะบรรจุชนิดโปร่งใสได้อย่างง่ายดาย

เมื่อต้องการถ่ายผงออกจากกล่องเก็บผง (3) ให้ดึงกล่องบิดออกไปทางด้านหลัง

ก่อนเปิดกล่องเก็บผง (3) ท่านควรเคาะกล่องเก็บผงบนพื้นผิวแข็งๆ เพื่อคลายผงออกจากตัวกรองดังแสดงในภาพประกอบ จับกล่องเก็บผง (3) ให้แน่น พับตัวกรอง (9) ขึ้น และถ่ายผงออกจากกล่องเก็บผง ไขแปรงขนอ่อนทำความสะอาดครีบบนตัวกรอง (9)

### การดูดฝุ่นด้วยเครื่องดูดฝุ่นภายนอก (ดูภาพประกอบ D)

สวมท่อดูดฝุ่น (10) เข้านท่ระบายออก (8)

ต่อท่อดูดฝุ่น (10) เข้ากับเครื่องดูดฝุ่น ดูภาพรวมการเชื่อมต่อกับเครื่องดูดฝุ่นต่างๆ ที่ติดตั้งบนของคู่มือการใช้งานฉบับนี้ เครื่องดูดฝุ่นต้องมีลักษณะการใช้งานที่เหมาะสมกับประเภทวัสดุชิ้นงาน

ในกรณีดูดฝุ่นแห้งที่เป็นอันตรายต่อสุขภาพอย่างยิ่งหรืออาจก่อให้เกิดมะเร็งได้ ให้ใช้เครื่องดูดฝุ่นพิเศษ

## การปฏิบัติงาน

### การเริ่มต้นปฏิบัติงาน

- ▶ ให้สังเกตแรงดันไฟฟ้า! แรงแดันไฟฟ้าจากแหล่งจ่ายไฟฟ้าต้องมีค่าตรงกับค่าแรงดันไฟฟ้าที่ระบุไว้บนแผ่นป้ายพิกัดเครื่อง เครื่องมือไฟฟ้าที่มีเครื่องหมาย 230 โวลต์ สามารถใช้งานกับ 220 โวลต์ ได้ด้วย

### การเปิด-ปิดเครื่อง

- ▶ ตรวจสอบให้แน่ใจว่าท่านสามารถใช้งานสวิตช์เปิด-ปิดได้โดยไม่ต้องปล่อยคัมจับ

**เปิดสวิตช์** เครื่องมือไฟฟ้าโดยเอียงสวิตช์เปิด-ปิด (1) ไปทางขวาไปที่ตำแหน่ง "I"

**ปิดสวิตช์** เครื่องมือไฟฟ้าโดยเอียงสวิตช์เปิด-ปิด (1) ไปทางซ้ายไปที่ตำแหน่ง "O"

### การตั้งอัตราแกว่งสั้นสะเทือนล่วงหน้า (GEX 125-1 AE)

ท่านสามารถเลือกอัตราแกว่งสั้นสะเทือนที่ต้องการไว้ล่วงหน้าได้ด้วยสวิตช์ตั้งอัตราแกว่งสั้นสะเทือนล่วงหน้า (2) ปรับตั้งได้แม้ขณะเครื่องกำลังทำงานอยู่

- 1 - 2 อัตราแกว่งต่ำ
- 3 - 4 อัตราแกว่งปานกลาง
- 5 - 6 อัตราแกว่งสูง

อัตราแกว่างสั้นสะท้อนที่ต้องการขึ้นอยู่กับประเภทวัสดุชิ้นงาน และเงื่อนไขการทำงาน และสามารถกำหนดได้จาก การทดลองฝึกปฏิบัติ

หลังทำงานเป็นเวลานานที่อัตราแกว่างต่ำ ต้องทำให้เครื่องเย็นลงโดยปล่อยให้หัวปลั้วที่อัตราแกว่างสูงลงสู่ลานประมาณ 3 นาที

#### เบรกจานรองขัด

เบรกจานรองขัดเม็ดเสิร์ฟจะลดอัตราแกว่างลงขณะเดินตัวปลั้วซึ่งจะป้องกันไม่ให้เกิดรอยขีดข่วนขณะลงบนชิ้นงาน

หากอัตราแกว่างเดินตัวปลั้วเพิ่มขึ้นอย่างต่อเนื่องตลอดช่วงเวลา จานรองขัดจะชำรุดและต้องเปลี่ยนใหม่ หรือเบรกจานรองขัดจะเสื่อมสภาพหากเบรกจานรองขัดเสื่อมสภาพ ต้องส่งเครื่องให้ศูนย์บริการหลังการขายสำหรับเครื่องมือไฟฟ้า บอช ที่ได้รับมอบหมาย ทำการเปลี่ยนให้เท่านั้น

#### ข้อแนะนำในการทำงาน

- ▶ **ดึงปลั๊กไฟออกจากเต้าเสียบก่อนปรับแต่งเครื่อง**
- ▶ **รอให้เครื่องมือไฟฟ้าหยุดนิ่งอยู่กับที่ทุกครั้ง ก่อนวางเครื่องลงบนพื้น**
- ▶ **เครื่องมือไฟฟ้าไม่เหมาะสำหรับการทำงานแบบอยู่กับที่** ไม่ควรยึดเครื่อง ตัวอย่าง เช่น ไขน็อตปากกาจับชิ้นงานหรือยึดไวบนโต๊ะทำงาน

เพื่อให้ทำงานได้อย่างไม่เหน็ดเหนื่อย ท่านสามารถจับเครื่องมือไฟฟ้าจากทางด้านบน ด้านข้าง หรือด้านหน้า ทั้งนี้ขึ้นอยู่กับการใช้งาน (ดูภาพประกอบ E)

#### การขัดพื้นผิว

เปิดเครื่องมือไฟฟ้าทำงาน จับเครื่องโดยให้พื้นผิวขัดทั้งหมดวางทาบบนพื้นผิวของชิ้นงาน และเคลื่อนเครื่องด้วยแรงกดพอประมาณไปบนชิ้นงาน

โดยทั่วไป รูปแบบการขัดและความสามารถในการขัดออกขึ้นอยู่กับชนิดของกระดาษทรายที่เลือกใช้ ชั้นความเร็วรอบที่เลือกล่วงหน้า และแรงกดการขัด

กระดาษทรายสภาพดีเท่านั้นที่จะขัดได้ดีมีประสิทธิภาพ และช่วยยืดอายุการใช้งานของเครื่องมือไฟฟ้า

เอาใจใส่กดเครื่องลงบนชิ้นงานด้วยแรงกดที่ราบเรียบเสมอกันเพื่อยืดอายุการใช้งานของกระดาษทราย

การใช้แรงกดลงมากเกินไปไม่ช่วยเพิ่มประสิทธิภาพการขัด แต่จะทำให้เครื่องมือไฟฟ้าและกระดาษทรายสึกหรอมากขึ้น กระดาษทรายที่ขัดโลหะไปแล้ว ไม่ควรนำมาขัดวัสดุประเภทอื่น

ใช้เฉพาะอุปกรณ์ขัดของแท้ **Bosch** เท่านั้น

#### การขัดหยยา

ใส่กระดาษทรายชนิดเม็ดหยาบ

กดเครื่องมือไฟฟ้าลงด้วยแรงกดพอประมาณเท่านั้น เพื่อว่าเครื่องจะได้วิ่งที่ความเร็วรอบสูงขึ้นและสามารถขัดวัสดุออกได้มากขึ้น

#### การขัดละเอียด

ใส่กระดาษทรายเม็ดละเอียด

เมื่อเปลี่ยนแรงกดเพียงเล็กน้อย หรือเมื่อเปลี่ยนชิ้นอัตราแกว่างสั้นสะท้อน จะสามารถลอคอัตราแกว่างของจานรองขัดได้

โดยที่การวิ่งเยื้องศูนย์กลางมีอยู่

เคลื่อนเครื่องไปบนชิ้นงาน/พื้นผิวด้วยแรงกดปาน

กลางในลักษณะเป็นวงกลมหรือตามยาวและตามขวางสลับกัน

อย่าจับเครื่องมือไฟฟ้าเอียง ทั้งนี้เพื่อหลีกเลี่ยงการขัดผ่าน

ทะลุชิ้นงาน (ดู ย. เช่น เมื่อขัดไม้อัดบาง)

เมื่อกระบวนการทำงานสิ้นสุด ให้ปิดสวิทช์เครื่อง

#### การขัดเงา

สำหรับการขัดเงาสีหมองคล้ำจากการตกแตกตากลม หรือขัดเงารอยขีดข่วน (ดู ย. เช่น กระดาษอะคริลิก) ท่านสามารถประกอบอุปกรณ์ขัดเงาที่เหมาะสมเข้ากับเครื่องมือไฟฟ้าได้ เช่น บอนเน็ทขนแกะ ผ้าสักหลาด หรือฟองน้ำ (อุปกรณ์ประกอบ)

เลือกอัตราแกว่างต่ำ (ขั้น 1 - 2) สำหรับการขัดเงา ทั้งนี้เพื่อหลีกเลี่ยงไม่ให้พื้นผิวร้อนเกินไป

ป้ายยาขัดเงาลงบนพื้นผิวให้ค่อนข้างเล็กกว่าบริเวณที่ท่าน

ตั้งใจจะขัดใช้เครื่องมือขัดเงาที่เหมาะสมปาดยาขัดเงาไปตาม

ขวางหรือเคลื่อนเป็นวงกลมและใช้แรงกดพอประมาณ

อย่าปล่อยให้ยาขัดเงาแห้งผากบนพื้นผิว มิฉะนั้นพื้นผิวอาจ

เสียหายได้อย่าให้พื้นผิวที่จะขัดเงาได้รับแสงแดดโดยตรง

ทำความสะอาดอุปกรณ์ขัดเงาเป็นประจำเพื่อให้ได้งานขัด

เงาที่ดี ชักล้างอุปกรณ์ขัด

เงาด้วยน้ำยาซักฟอกชนิดอ่อนและน้ำอุ่น และอย่าใช้ทินเนอร์

ที่ใส่ผสมสี

## การบำรุงรักษาและการบริการ

### การบำรุงรักษาและการทำความสะอาด

- ▶ **ดึงปลั๊กไฟออกจากเต้าเสียบก่อนปรับแต่งเครื่อง**
- ▶ **เพื่อให้ทำงานได้อย่างถูกต้องและปลอดภัย ต้องรักษาเครื่องและช่องระบายอากาศให้สะอาดอยู่เสมอ**

หากจำเป็นต้องเปลี่ยนสายไฟฟ้า ต้องส่งเครื่องให้ **Bosch** หรือศูนย์บริการหลังการขายที่ได้รับมอบหมายสำหรับเครื่องมือไฟฟ้า **Bosch** เปลี่ยนให้ ทั้งนี้เพื่อหลีกเลี่ยงอันตราย

## การบริการหลังการขายและการให้คำปรึกษาการใช้งาน

ศูนย์บริการหลังการขายของเรายินดีตอบคำถามของท่านที่เกี่ยวกับการบำรุงรักษาและการซ่อมแซมผลิตภัณฑ์รวมทั้งเรื่องอะไหล่ ภาพเขียนแบบการประกอบและข้อมูลเกี่ยวกับอะไหล่ กรุณาดูใน: [www.bosch-pt.com](http://www.bosch-pt.com)

ทีมงานที่ปรึกษาของ บอช ยินดีให้ข้อมูลเกี่ยวกับผลิตภัณฑ์ของเราและอุปกรณ์ประกอบต่างๆ

เมื่อต้องการสอบถามและสั่งซื้ออะไหล่ กรุณาแจ้งหมายเลขสินค้า 10 หลักบนแผ่นป้ายรุ่นของผลิตภัณฑ์ทุกครั้ง

### ไทย

ไทย บริษัท โรเบิร์ต บอช จำกัด

เอฟวายไอ เซ็นเตอร์ อาคาร 1 ชั้น 5

เลขที่ 2525 ถนนพระราม 4

แขวงคลองเตย เขตคลองเตย กรุงเทพฯ 10110

โทร: +66 2012 8888

แฟกซ์: +66 2064 5800

[www.bosch.co.th](http://www.bosch.co.th)

ศูนย์บริการซ่อมและฝึกอบรม บอช

อาคาร ลาซาลทาวเวอร์ ชั้น G ห้องเลขที่ 2

บ้านเลขที่ 10/11 หมู่ 16

ถนนศรีนครินทร์ ตำบลบางแก้ว อำเภอบางพลี

จังหวัดสมุทรปราการ 10540

ประเทศไทย

โทรศัพท์ 02 7587555

โทรสาร 02 7587525

สามารถดูที่อยู่ศูนย์บริการอื่นๆ ได้ที่:

[www.bosch-pt.com/serviceaddresses](http://www.bosch-pt.com/serviceaddresses)

### การกำจัดขยะ

เครื่องมือไฟฟ้า อุปกรณ์ประกอบ และทิบห่อ ต้องนำ

ไปแยกประเภทวัสดุเพื่อการรีไซเคิลที่เป็นมิตรต่อสิ่งแวดล้อม



อย่าทิ้งเครื่องมือไฟฟ้าลงในขยะบ้าน!

## Bahasa Indonesia

### Petunjuk Keselamatan

#### Petunjuk keselamatan umum untuk perkakas listrik

**PERINGATAN** Baca semua peringatan, petunjuk, ilustrasi, dan spesifikasi

keselamatan yang diberikan bersama perkakas listrik

ini. Kesalahan dalam menjalankan petunjuk di bawah ini dapat mengakibatkan sengatan listrik, kebakaran, dan/atau cedera serius.

**Simpanlah semua peringatan dan petunjuk untuk penggunaan di masa mendatang.**

Istilah "perkakas listrik" dalam peringatan mengacu pada perkakas listrik yang dioperasikan dengan listrik (menggunakan kabel) atau perkakas listrik yang dioperasikan dengan baterai (tanpa kabel).

#### Keamanan tempat kerja

- ▶ **Jaga kebersihan dan pencahayaan area kerja.** Area yang berantakan atau gelap dapat memicu kecelakaan.
- ▶ **Jangan mengoperasikan perkakas listrik di lingkungan yang dapat memicu ledakan, seperti adanya cairan, gas, atau debu yang mudah terbakar.** Perkakas listrik dapat memancarkan bunga api yang kemudian mengakibatkan debu atau uap terbakar.
- ▶ **Jauhkan dari jangkauan anak-anak dan pengamat saat mengoperasikan perkakas listrik.** Gangguan dapat menyebabkan hilangnya kendali.

#### Keamanan listrik

- ▶ **Steker perkakas listrik harus sesuai dengan stopkontak. Jangan pernah memodifikasi steker. Jangan menggunakan steker adaptor bersama dengan perkakas listrik yang terhubung dengan sistem grounding.** Steker yang tidak dimodifikasi dan stopkontak yang cocok akan mengurangi risiko sengatan listrik.
- ▶ **Hindari kontak badan dengan permukaan yang terhubung dengan sistem grounding, seperti pipa, radiator, kompor, dan lemari es.** Terdapat peningkatan risiko terjadinya sengatan listrik jika badan Anda terhubung dengan sistem grounding.
- ▶ **Perkakas listrik tidak boleh terpapar hujan atau basah.** Air yang masuk ke dalam perkakas listrik menambah risiko terjadinya sengatan listrik.
- ▶ **Jangan menyalahgunakan kabel. Jangan gunakan kabel untuk membawa, menarik, atau melepas steker perkakas listrik. Jauhkan kabel dari panas, minyak, tepi yang tajam, atau komponen yang bergerak.** Kabel listrik yang rusak atau tersangkut menambah risiko terjadinya sengatan listrik.
- ▶ **Saat mengoperasikan perkakas listrik di luar ruangan, gunakan kabel ekstensi yang sesuai untuk penggunaan di luar ruangan.** Penggunaan kabel yang



cocok untuk pemakaian di luar ruangan mengurangi risiko terjadinya sengatan listrik.

- ▶ **Jika perkakas listrik memang harus dioperasikan di tempat yang lembap, gunakan pemutus arus listrik residu (RCD).** Penggunaan RCD akan mengurangi risiko terjadinya sengatan listrik.

#### Keselamatan personel

- ▶ **Tetap waspada, perhatikan aktivitas yang sedang dikerjakan dan gunakan akal sehat saat mengoperasikan perkakas listrik. Jangan gunakan perkakas listrik saat mengalami kelelahan atau di bawah pengaruh narkoba, alkohol, atau obat-obatan.** Jika perkakas listrik dioperasikan dengan daya konsentrasi yang rendah, hal tersebut dapat menyebabkan cedera serius.
- ▶ **Gunakan peralatan pelindung diri. Selalu kenakan pelindung mata.** Penggunaan perlengkapan pelindung seperti penutup telinga, helm, sepatu anti licin, dan masker debu akan mengurangi cedera.
- ▶ **Hindari start yang tidak disengaja. Pastikan switch berada di posisi off sebelum perkakas listrik dihubungkan ke sumber daya listrik dan/atau baterai, diangkat, atau dibawa.** Membawa perkakas listrik dengan jari menempel pada tombol atau perkakas listrik dalam keadaan hidup dapat memicu kecelakaan.
- ▶ **Singkirkan kunci penyetel atau kunci pas sebelum menghidupkan perkakas listrik.** Perkakas atau kunci pas yang masih menempel pada komponen perkakas listrik yang berputar dapat menyebabkan cedera.
- ▶ **Jangan melampaui batas. Berdirilah secara mantap dan selalu jaga keseimbangan.** Hal ini akan memberikan kontrol yang lebih baik terhadap perkakas listrik pada situasi yang tak terduga.
- ▶ **Kenakan pakaian dengan wajar. Jangan mengenakan perhiasan atau pakaian yang longgar. Jauhkan rambut dan pakaian dari komponen yang bergerak.** Pakaian yang longgar, rambut panjang, atau perhiasan dapat tersangkut dalam komponen yang bergerak.
- ▶ **Jika disediakan perangkat untuk sambungan pengisapan debu dan alat pengumpulan, pastikan perangkat tersebut terhubung dan digunakan dengan benar.** Penggunaan alat pengumpulan dapat mengurangi bahaya yang disebabkan oleh debu.
- ▶ **Jangan berpuas diri dan mengabaikan prinsip keselamatan karena terbiasa mengoperasikan perkakas.** Tindakan yang kurang hati-hati dapat mengakibatkan cedera serius dalam waktu sepersekian detik.

#### Penggunaan dan pemeliharaan perkakas listrik

- ▶ **Jangan memaksakan perkakas listrik. Gunakan perkakas listrik yang sesuai untuk pekerjaan yang dilakukan.** Perkakas listrik yang sesuai akan bekerja dengan lebih baik dan aman sesuai tujuan penggunaan.
- ▶ **Jangan gunakan perkakas listrik dengan switch yang tidak dapat dioperasikan.** Perkakas listrik yang

switchnya yang tidak berfungsi dapat menimbulkan bahaya dan harus diperbaiki.

- ▶ **Lepaskan steker dari sumber listrik dan/atau lepas baterai, jika dapat dilepaskan dari perkakas listrik sebelum menyatel, mengganti aksesoris, atau menyimpan perkakas listrik.** Tindakan preventif akan mengurangi risiko menghidupkan perkakas listrik secara tidak disengaja.
- ▶ **Jauhkan dan simpan perkakas listrik dari jangkauan anak-anak dan jangan biarkan orang-orang yang tidak mengetahui cara menggunakan perkakas listrik, mengoperasikan perkakas listrik.** Perkakas listrik dapat membahayakan jika digunakan oleh orang-orang yang tidak terlatih.
- ▶ **Lakukan pemeliharaan perkakas listrik dan aksesoris. Periksa komponen yang bergerak apabila tidak lurus atau terikat, kerusakan komponen, dan kondisi lain yang dapat mengganggu pengoperasian perkakas listrik. Apabila rusak, perbaiki perkakas listrik sebelum digunakan.** Kecelakaan sering terjadi karena perkakas listrik tidak dirawat dengan baik.
- ▶ **Jaga ketajaman dan kebersihan alat.** Alat pemotong dengan pisau pemotong yang tajam dan dirawat dengan baik tidak akan mudah tersangkut dan lebih mudah dikendalikan.
- ▶ **Gunakan perkakas listrik, aksesoris, dan komponen perkakas dll sesuai dengan petunjuk ini, dengan mempertimbangkan kondisi kerja dan pekerjaan yang akan dilakukan.** Penggunaan perkakas listrik untuk tujuan berbeda dari fungsinya dapat menyebabkan situasi yang berbahaya.
- ▶ **Jaga gagang dan permukaan genggam agar tetap kering, bersih, dan bebas dari minyak dan lemak.** Gagang dan permukaan genggam yang licin tidak menjamin keamanan kerja dan kontrol alat yang baik pada situasi yang tidak terduga.

#### Servis

- ▶ **Minta teknisi berkualifikasi untuk menyervis perkakas listrik dengan hanya menggunakan suku cadang yang identik.** Dengan demikian, hal ini akan memastikan keamanan perkakas listrik.

#### Petunjuk keselamatan untuk gerinda

- ▶ **Hanya gunakan perkakas listrik untuk melakukan pengerindaan kering.** Air yang masuk ke dalam perkakas listrik menambah risiko terjadinya kontak listrik.
- ▶ **Pastikan tidak ada orang yang terkena bahaya percikan api. Jauhkan material yang mudah terbakar dari sekitar perkakas listrik.** Pengerindaan logam akan menghasilkan percikan api.
- ▶ **Waspada terhadap risiko terbakar! Hindari benda kerja dan gerinda agar tidak menjadi terlalu panas. Kosongkan kontainer debu sebelum Anda menghentikan pekerjaan sementara.** Debu pengerindaan pada kantong debu, microfilter, kantong kertas (atau pada kantong filter atau filter pengisap debu)

dapat terbakar dengan sendirinya pada kondisi tertentu, misalnya akibat percikan api saat menggerinda logam. Khususnya, terdapat bahaya jika debu penggerindaan tercampur dengan sisa cat, sisa poliuretana, atau bahan kimia lainnya dan benda kerja dalam keadaan panas setelah penggerindaan dalam waktu yang lama.

- ▶ **Bersihkan lubang ventilasi pada perkakas listrik secara rutin.** Kipas angin motor menarik debu ke dalam rumahannya dan debu logam dalam jumlah yang besar dan listrik bisa mengakibatkan bahaya.
- ▶ **Sebelum meletakkan perkakas listrik, tunggulah hingga perkakas berhenti berputar.**
- ▶ **Gunakan alat kerja dengan aman.** Benda yang ditahan dalam alat pemegang atau bais lebih aman daripada benda yang dipegang dengan tangan.

## Spesifikasi produk dan performa



**Bacalah semua petunjuk keselamatan dan petunjuk penggunaan.** Kesalahan dalam menjalankan petunjuk keselamatan dan petunjuk penggunaan dapat mengakibatkan kontak listrik, kebakaran, dan/atau luka-luka yang berat.

Perhatikan ilustrasi yang terdapat pada sisi sampul panduan pengoperasian.

## Tujuan penggunaan

Perkakas listrik ini cocok untuk mengampelas kering bahan kayu, bahan sintetik, logam, dempul serta permukaan-permukaan yang bercat.

Perkakas listrik dengan pengendalian elektronik juga cocok untuk memoles.

## Ilustrasi komponen

Nomor-nomor dari bagian-bagian perkakas pada gambar sesuai dengan gambar perkakas listrik pada halaman bergambar.

- (1) Tombol on/off
- (2) Selektor pemilihan awal jumlah getaran (GEX 125-1 AE)
- (3) Kotak debu lengkap (sistem mikrofilter)
- (4) Gagang (permukaan genggam berisolator)
- (5) Cakram ampelas
- (6) Kertas ampelas<sup>a)</sup>
- (7) Baut untuk cakram ampelas
- (8) Saluran pembuangan
- (9) Elemen filter (sistem mikrofilter)
- (10) Slang pengisap<sup>a)</sup>

a) **Aksesori yang ada pada gambar atau yang dijelaskan tidak termasuk dalam lingkup pengiriman standar. Semua aksesori yang ada dapat Anda lihat dalam program aksesori kami.**

## Data teknis

Mesin gerinda orbital acak		GEX 125-1 A Professional	GEX 125-1 AE Professional
Nomor model		<b>3 601 C87 0..</b>	<b>3 601 C87 5..</b>
Pemilihan awal jumlah getaran		–	●
Input daya nominal	W	250	250
Kecepatan idle $n_0$	$\text{min}^{-1}$	12000	7500–12000
Jumlah getaran kecepatan idle	$\text{min}^{-1}$	24000	15000–24000
Diameter orbit	mm	2,5	2,5
Diameter cakram ampelas	mm	125	125
Berat sesuai dengan EPTA-Procedure 01:2014	kg	1,3	1,3
Tingkat perlindungan		□ / II	□ / II

Data-data berlaku untuk tegangan nominal [U] 230 V. Pada tegangan yang lebih rendah dan pada model khusus mancanegara data-data ini bisa berlainan.

## Cara memasang

- ▶ **Sebelum mulai dengan pekerjaan pada perkakas listrik, tariklah steker dari stopkontak.**

## Memilih kertas ampelas

Berbagai macam kertas ampelas tersedia menyesuaikan material yang dikerjakan dan hasil yang diinginkan:

	Material	Penggunaan	Butiran	
best for Paint	<ul style="list-style-type: none"> <li>- Cat</li> <li>- Vernis</li> <li>- Bahan isian</li> <li>- Kape</li> </ul>	Untuk mengikis cat lama	kasar	40
				60
		Untuk mengampelas cat primer (misalnya menghapus sapuan kuas, tetesan cat, dan gumpalan cat)	sedang	80
				100
				120
		Untuk mengampelas halus cat dasar sebelum mengecat lapisan terakhir	halus	180
				240
				320
				400
expert for Wood best for Wood	Expert for Wood <ul style="list-style-type: none"> <li>- Semua material kayu (misalnya kayu keras, kayu lunak, papan partikel, papan untuk bangunan)</li> </ul>	Untuk mengampelas awal, misalnya untuk balok dan papan yang kasar dan tidak rata	kasar	40
				60
		Untuk mengampelas permukaan dan menghaluskan permukaan yang tidak rata	sedang	80
				100
				120
	Best for Wood <ul style="list-style-type: none"> <li>- Kayu keras</li> <li>- Papan partikel</li> <li>- Papan untuk bangunan</li> <li>- Bahan logam</li> </ul>	Untuk mengampelas dan menghaluskan kayu	halus	180
			240	
			320	
			400	
best for Stone	<ul style="list-style-type: none"> <li>- Cat mobil</li> <li>- Batu</li> <li>- Marmer</li> <li>- Granit</li> <li>- Keramik</li> <li>- Gelas</li> <li>- Kaca akrilik</li> <li>- Fiberglass</li> </ul>	Untuk pengampelasan awal	kasar	80
		Untuk mengampelas permukaan dan menghaluskan tepian	sedang	100
				120
		Untuk mengampelas halus pada waktu membentuk permukaan	halus	180
				240
				320
		400		
		Untuk mengampelas licin dan membulatkan tepian	sangat halus	600
				1200

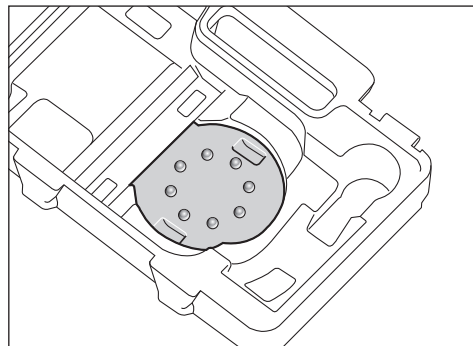
### Mengganti kertas ampelas (lihat gambar A)

Untuk melepas kertas ampelas (6), angkat kertas ampelas ke samping dan lepas dari piringan (5).

Bersihkan kotoran dan debu dari piringan (5) sebelum memasang kertas ampelas baru, misalnya dengan kuas. Permukaan piringan (5) terdiri atas kain perekat sehingga kertas ampelas dapat dipasang dengan cepat dan mudah menggunakan perekat.

Tekan kertas ampelas (6) dengan kuat ke sisi bawah piringan (5).

Untuk menjamin ekstraksi debu yang optimal, pastikan lubang pada kertas ampelas (6) sesuai dengan lubang bor pada piringan (5).



Untuk pengaturan kertas ampelas yang mudah (6) pada piringan (5), Anda dapat menggunakan bantuan pengaturan yang ditunjukkan pada gambar di dalam tas perkakas. Letakkan kertas ampelas dengan perekat ke arah atas ke dalam bantuan pengaturan dan tekan perkakas listrik dengan piringan.

## Memilih piringan

Tergantung pada jenis pekerjaan yang dilakukan, perkakas listrik dapat dilengkapi dengan piringan dengan tingkat kekerasan yang berbeda-beda:

- Piringan sangat lunak: cocok untuk memoles dan mengampelas halus, juga pada permukaan yang melengkung.
- Piringan semi keras: cocok untuk semua jenis pekerjaan mengampelas, penggunaan serba guna.
- Piringan keras: cocok untuk pengampelasan berat pada permukaan datar.

## Mengganti piringan (lihat gambar B)

**Catatan:** Segera ganti piringan (5) yang rusak.

Lepaskan kertas ampelas atau alat untuk memoles. Putar keempat baut (7) sepenuhnya dan lepaskan piringan (5). Pasang piringan baru (5) dan kencangkan baut kembali.

**Catatan:** Saat memasang piringan, pastikan roda gigi penggerak mencengkram lekuk piringan.

**Catatan:** Dudukan piringan yang rusak hanya boleh diganti di outlet servis resmi untuk perkakas listrik Bosch.

## Pengisapan debu/serbuk

Debu dari bahan-bahan seperti cat yang mengandung timbal, beberapa jenis kayu, bahan mineral dan logam dapat berbahaya bagi kesehatan. Menyentuh atau menghirup debu tersebut dapat mengakibatkan reaksi alergi dan/atau penyakit saluran pernapasan bagi pengguna atau orang yang berada di dekatnya.

Beberapa debu tertentu seperti misalnya debu kayu pohon ek atau pohon fagus silvatica dianggap dapat mengakibatkan penyakit kanker, terutama dalam campuran dengan bahan-bahan tambahan untuk pengolahan kayu (kromat, obat pengawet kayu). Bahan-bahan yang mengandung asbestos hanya boleh dikerjakan oleh orang-orang yang ahli.

- Gunakanlah hanya pengisap debu yang cocok untuk mengisap bahan yang dikerjakan.
- Pastikan terdapat ventilasi udara yang baik di tempat kerja.
- Dianjurkan untuk memakai masker anti debu dengan filter kelas P2.

Taatilah peraturan-peraturan untuk bahan-bahan yang dikerjakan yang berlaku di negara Anda.

- **Hindari debu yang banyak terkumpul di tempat kerja.** Debu dapat tersulut dengan mudah.

## Ekstraksi otomatis dengan kotak debu (lihat gambar C1-C4)

Pasang kotak debu (3) ke saluran pembuangan (8) hingga terkunci.

Tingkat pengisian kotak debu (3) dapat dengan mudah dikontrol melalui wadah transparan.

Untuk mengosongkan kotak debu (3), lepas kotak debu sambil diputar ke bawah.

Sebelum membuka kotak debu (3), ketuk kotak debu pada permukaan yang keras seperti terlihat pada gambar untuk membersihkan debu dari elemen filter.

Pegang kuat kotak debu (3), balikkan elemen filter ke atas (9), dan kosongkan kotak debu. Bersihkan sirip elemen filter (9) dengan sikat lembut.

## Ekstraksi debu eksternal (lihat gambar D)

Pasang slang pengisap (10) pada saluran pembuangan (8). Sambungkan slang pengisap (10) dengan pengisap debu. Ikhtisar untuk menyambungkan berbagai pengisap debu dapat ditemukan di bagian awal panduan ini.

Mesin pengisap debu harus sesuai dengan bahan yang dikerjakan.

Gunakanlah mesin pengisap khusus saat mengisap debu yang sangat berbahaya bagi kesehatan, pemicu kanker, atau debu yang sangat kering.

## Penggunaan

### Cara penggunaan

- **Perhatikan tegangan listrik! Tegangan jaringan listrik harus sesuai dengan tegangan listrik yang tercantum pada label tipe perkakas listrik. Perkakas listrik dengan daya sebesar 230 V seperti yang diindikasikan pada label dapat juga dioperasikan pada daya 220 V.**

### Mengaktifkan/menonaktifkan perkakas listrik

- **Pastikan bahwa Anda dapat mengoperasikan tombol untuk menghidupkan dan mematikan tanpa perlu melepaskan handle.**

Untuk **mengaktifkan** perkakas listrik, sentuh tombol on/off (1) ke kanan pada ke "I".

Untuk **menonaktifkan** perkakas listrik, sentuh tombol on/off (1) ke kiri ke posisi "0".

### Penyetelan awal jumlah getaran (GEX 125-1 AE)

Dengan roda penyetelan awal jumlah getaran (2), jumlah getaran yang diperlukan juga dapat disetel selama pengoperasian.

- 1 – 2 jumlah getaran rendah
- 3 – 4 jumlah getaran sedang
- 5 – 6 jumlah getaran tinggi

Banyaknya getaran yang diperlukan tergantung pada bahan yang dikerjakan dan syarat-syarat kerja dan dapat ditentukan dengan melakukan uji coba sebelumnya. Setelah perkakas listrik digunakan dalam waktu yang lama dengan jumlah getaran yang rendah, perkakas listrik sebaiknya dibiarkan mendingin dengan cara membiarkannya beroperasi dengan jumlah getaran maksimal dalam kecepatan idle selama sekitar 3 menit.

### Rem pada piringan

Rem piringan yang terintegrasi akan menurunkan jumlah getaran pada kecepatan idle sehingga mencegah terjadinya goresan saat meletakkan perkakas listrik pada benda kerja.

Jika jumlah getaran pada kecepatan idle terus meningkat, piringan akan rusak dan harus diganti atau rem piringan menjadi aus. Rem piringan yang aus harus diganti di outlet servis resmi perkakas listrik Bosch.

### Petunjuk pengoperasian

- ▶ **Sebelum mulai dengan pekerjaan pada perkakas listrik, tariklah steker dari stopkontak.**
- ▶ **Tunggu perkakas listrik hingga berhenti sebelum meletakkannya.**
- ▶ **Perkakas listrik ini tidak sesuai untuk pengoperasian stasioner.** Perkakas listrik tidak boleh dipasang ke ragum atau dikencangkan ke meja kerja.

Untuk pengoperasian yang bebas lelah, pegang perkakas listrik dari atas, dari samping, atau dari depan tergantung pada penggunaan (lihat gambar E).

### Mengampelas permukaan

Hidupkan perkakas listrik, letakkan secara merata pada permukaan benda kerja dan gerakkan perkakas listrik dengan tekanan sedang di atas benda kerja.

Pengikisan dan pola pengampelasan ditentukan oleh pemilihan kertas ampelas, tingkat jumlah getaran yang dipilih sebelumnya dan daya tekan.

Hanya kertas ampelas yang baik yang menghasilkan kinerja pengampelasan yang sempurna dan memelihara fungsi perkakas listrik.

Pastikan daya tekan selalu merata agar meningkatkan masa pakai kertas ampelas.

Menambah daya tekan tidak akan meningkatkan kinerja pengampelasan, melainkan hanya membuat perkakas listrik dan kertas ampelas menjadi aus.

Kertas ampelas yang telah digunakan untuk mengerjakan logam, tidak boleh digunakan untuk mengerjakan bahan-bahan lainnya.

Hanya gunakan aksesoris pengampelasan **Bosch** yang asli.

### Pengampelasan kasar

Tambahkan butiran kasar pada kertas ampelas.

Cukup tekan sedikit perkakas listrik sehingga beroperasi dengan jumlah getaran yang lebih tinggi dan menghaluskan material yang lebih besar.

### Pengampelasan halus

Tambahkan butiran yang lebih halus pada kertas ampelas.

Dengan sedikit mengubah tekanan atau mengubah tingkat getaran, jumlah getaran piringan dapat dikurangi dengan mempertahankan gerakan memutar.

Gerakkan perkakas listrik dengan tekanan sedang secara memutar atau dengan bergantian arah memanjang dan melintang pada benda kerja. Jangan memiringkan perkakas listrik untuk mencegah benda kerja dari goresan, misalnya lapisan kayu.

Setelah pekerjaan selesai, matikan perkakas listrik.

### Memoles

Untuk memoles cat yang telah lapuk atau memoles ulang goresan (misalnya kaca akrilik), perkakas listrik dapat

dilengkapi dengan alat pemoles yang sesuai seperti pemoles dari bulu domba, kain flanel, atau spons (aksesori).

Saat memoles, pilih jumlah getaran rendah (level 1-2) untuk mencegah pemanasan berlebih pada permukaan.

Berikan pelitur pada permukaan yang lebih kecil daripada area yang hendak dipoles. Oleskan pelitur dengan alat pemoles yang sesuai dengan gerakan menyilang atau memutar dan tekanan sedang.

Jangan biarkan pelitur mengering pada permukaan karena permukaan dapat menjadi rusak. Jangan memaparkan permukaan yang dipelitur di bawah sinar matahari langsung.

Bersihkan alat pemoles secara berkala untuk menjamin hasil kerja yang baik. Cuci alat pemoles dengan deterjen lembut dan air hangat, jangan gunakan tiner.

## Perawatan dan servis

### Perawatan dan pembersihan

- ▶ **Sebelum mulai dengan pekerjaan pada perkakas listrik, tariklah steker dari stopkontak.**
- ▶ **Perkakas listrik dan lubang ventilasi harus selalu dibersihkan agar perkakas dapat digunakan dengan baik dan aman.**

Jika kabel listrik harus diganti, pekerjaan ini harus dilakukan oleh **Bosch** atau Service Center untuk perkakas listrik **Bosch** resmi agar keselamatan kerja selalu terjamin.

### Layanan pelanggan dan konsultasi penggunaan

Layanan pelanggan Bosch menjawab semua pertanyaan Anda tentang reparasi dan perawatan serta tentang suku cadang produk ini. Gambaran teknis (exploded view) dan informasi mengenai suku cadang dapat ditemukan di:

**www.bosch-pt.com**

Tim konsultasi penggunaan Bosch akan membantu Anda menjawab pertanyaan seputar produk kami beserta aksesorinya.

Jika Anda hendak menanyakan sesuatu atau memesan suku cadang, selalu sebutkan nomor model yang terdiri dari 10 angka dan tercantum pada label tipe produk.

### Indonesia

PT Robert Bosch  
Palma Tower 10th Floor  
Jalan RA Kartini II-S Kaveling 6  
Pondok Pinang, Kebayoran Lama  
Jakarta Selatan 12310  
Tel.: (021) 3005 5800  
Fax: (021) 3005 5801  
E-Mail: boschpowertools@id.bosch.com  
www.bosch-pt.co.id

### Alamat layanan lainnya dapat ditemukan di:

www.bosch-pt.com/serviceaddresses

### Cara membuang

Perkakas listrik, aksesoris, dan kemasan sebaiknya didaur ulang secara ramah lingkungan.



Jangan membuang perkakas listrik ke dalam tempat sampah rumah tangga!

## Tiếng Việt

### Hướng dẫn an toàn

#### Hướng dẫn an toàn chung cho dụng cụ điện

**⚠ CẢNH BÁO** Hãy đọc toàn bộ các cảnh báo an toàn, hướng dẫn, hình ảnh và thông số kỹ thuật được cung cấp cho dụng cụ điện cầm tay này. Không tuân thủ mọi hướng dẫn được liệt kê dưới đây có thể bị điện giật, gây cháy và /hay bị thương tật nghiêm trọng.

**Hãy giữ tất cả tài liệu về cảnh báo và hướng dẫn để tham khảo về sau.**

Thuật ngữ "dụng cụ điện cầm tay" trong phần cảnh báo là để cập đến sự sử dụng dụng cụ điện cầm tay của bạn, loại sử dụng điện nguồn (có dây cắm điện) hay vận hành bằng pin (không dây cắm điện).

#### Khu vực làm việc an toàn

- ▶ **Giữ nơi làm việc sạch và đủ ánh sáng.** Nơi làm việc bừa bộn và tối tăm dễ gây ra tai nạn.
- ▶ **Không vận hành dụng cụ điện cầm tay trong môi trường dễ gây nổ, chẳng hạn như nơi có chất lỏng dễ cháy, khí đốt hay rác.** Dụng cụ điện cầm tay tạo ra các tia lửa nên có thể làm rác bén cháy hay bốc khói.
- ▶ **Không để trẻ em hay người đến xem đứng gần khi vận hành dụng cụ điện cầm tay.** Sự phân tâm có thể gây ra sự mất điều khiển.

#### An toàn về điện

- ▶ **Phích cắm của dụng cụ điện cầm tay phải thích hợp với ổ cắm. Không bao giờ được cải biến lại phích cắm dưới mọi hình thức. Không được sử dụng phích tiếp hợp nối tiếp đất (dây mát).** Phích cắm nguyên bản và ổ cắm đúng loại sẽ làm giảm nguy cơ bị điện giật.
- ▶ **Tránh không để thân thể tiếp xúc với đất hay các vật có bề mặt tiếp đất như đường ống, lò sưởi, hàng rào và tủ lạnh.** Có nhiều nguy cơ bị điện giật hơn nếu cơ thể bạn tiếp xúc hay nối đất.
- ▶ **Không được để dụng cụ điện cầm tay ngoài mưa hay ở tình trạng ẩm ướt.** Nước vào máy sẽ làm tăng nguy cơ bị điện giật.
- ▶ **Không được lạm dụng dây dẫn điện.** Không bao giờ được nắm dây dẫn để xách, kéo hay rút phích cắm dụng cụ điện cầm tay. Không để dây gần nơi có nhiệt độ cao, dầu nhớt, vật

nhọn bén và bộ phận chuyển động. Làm hỏng hay cuộn rối dây dẫn làm tăng nguy cơ bị điện giật.

- ▶ **Khi sử dụng dụng cụ điện cầm tay ngoài trời, dùng dây nối thích hợp cho việc sử dụng ngoài trời.** Sử dụng dây nối thích hợp cho việc sử dụng ngoài trời làm giảm nguy cơ bị điện giật.
- ▶ **Nếu việc sử dụng dụng cụ điện cầm tay ở nơi ẩm ướt là không thể tránh được, dùng thiết bị ngắt mạch tự động (RCD) bảo vệ nguồn.** Sử dụng thiết bị ngắt mạch tự động RCD làm giảm nguy cơ bị điện giật.

#### An toàn cá nhân

- ▶ **Hãy tỉnh táo, biết rõ mình đang làm gì và hãy sử dụng ý thức khi vận hành dụng cụ điện cầm tay.** Không sử dụng dụng cụ điện cầm tay khi đang mệt mỏi hay đang bị tác động do chất gây nghiện, rượu hay dược phẩm gây ra. Một thoáng mất tập trung khi đang vận hành dụng cụ điện cầm tay có thể gây thương tích nghiêm trọng cho bản thân.
- ▶ **Sử dụng trang bị bảo hộ cá nhân. Luôn luôn đeo kính bảo vệ mắt.** Trang bị bảo hộ như khẩu trang, giày chống trượt, nón bảo hộ, hay dụng cụ bảo vệ tai khi được sử dụng đúng nơi đúng chỗ sẽ làm giảm nguy cơ thương tật cho bản thân.
- ▶ **Phòng tránh máy khởi động bất ngờ. Bảo đảm công tắc máy ở vị trí tắt trước khi cắm vào nguồn điện và/hay lắp pin vào, khi nhấn máy lên hay khi mang xách máy.** Ngáng ngón tay vào công tắc máy để xách hay kích hoạt dụng cụ điện cầm tay khi công tắc ở vị trí mở dễ dẫn đến tai nạn.
- ▶ **Lấy mọi chìa hay khóa điều chỉnh ra trước khi mở điện dụng cụ điện cầm tay.** Khóa hay chìa còn gắn dính vào bộ phận quay của dụng cụ điện cầm tay có thể gây thương tích cho bản thân.
- ▶ **Không rướn người. Luôn luôn giữ tư thế đứng thích hợp và thăng bằng.** Điều này tạo cho việc điều khiển dụng cụ điện cầm tay tốt hơn trong mọi tình huống bất ngờ.
- ▶ **Trang phục thích hợp. Không mặc quần áo rộng lủng thụng hay mang trang sức. Giữ tóc và quần áo xa khỏi các bộ phận chuyển động.** Quần áo rộng lủng thụng, đồ trang sức hay tóc dài có thể bị cuốn vào các bộ phận chuyển động.
- ▶ **Nếu có các thiết bị đi kèm để nối máy hút bụi và các phụ kiện khác, bảo đảm các thiết bị này được nối và sử dụng tốt.** Việc sử dụng các thiết bị gom hút bụi có thể làm giảm các độc hại liên quan đến bụi gây ra.
- ▶ **Không để thói quen do sử dụng thường xuyên dụng cụ khiến bạn trở nên chủ quan và bỏ qua các quy định an toàn dụng cụ. Một**

hành vi bất cẩn có thể gây ra thương tích nghiêm trọng chỉ trong tích tắc.

#### Sử dụng và bảo dưỡng dụng cụ điện cầm tay

- ▶ **Không được ép máy. Sử dụng dụng cụ điện cầm tay đúng loại theo đúng ứng dụng của bạn.** Dụng cụ điện cầm tay đúng chức năng sẽ làm việc tốt và an toàn hơn theo đúng tiến độ mà máy được thiết kế.
- ▶ **Không sử dụng dụng cụ điện cầm tay nếu như công tắc không tắt và mở được.** Bất kỳ dụng cụ điện cầm tay nào mà không thể điều khiển được bằng công tắc là nguy hiểm và phải được sửa chữa.
- ▶ **Rút phích cắm ra khỏi nguồn điện và/hay pin ra khỏi dụng cụ điện cầm tay nếu có thể tháo được, trước khi tiến hành bất kỳ điều chỉnh nào, thay phụ kiện, hay cất dụng cụ điện cầm tay.** Các biện pháp ngăn ngừa như vậy làm giảm nguy cơ dụng cụ điện cầm tay khởi động bất ngờ.
- ▶ **Cất giữ dụng cụ điện cầm tay không dùng tới nơi trẻ em không lấy được và không cho người chưa từng biết dụng cụ điện cầm tay hay các hướng dẫn này sử dụng dụng cụ điện cầm tay.** Dụng cụ điện cầm tay nguy hiểm khi ở trong tay người chưa được chỉ cách sử dụng.
- ▶ **Bảo quản dụng cụ điện cầm tay và các phụ kiện.** Kiểm tra xem các bộ phận chuyển động có bị sai lệch hay kẹt, các bộ phận bị rạn nứt và các tình trạng khác có thể ảnh hưởng đến sự vận hành của máy. Nếu bị hư hỏng, phải sửa chữa máy trước khi sử dụng. Nhiều tai nạn xảy ra do bảo quản dụng cụ điện cầm tay tối.
- ▶ **Giữ các dụng cụ cất bên và sạch.** Bảo quản đúng cách các dụng cụ cất có cạnh cắt bén làm giảm khả năng bị kẹt và dễ điều khiển hơn.
- ▶ **Sử dụng dụng cụ điện cầm tay, phụ kiện, đầu cài v. v., đúng theo các chỉ dẫn này, hãy lưu ý đến điều kiện làm việc và công việc phải thực hiện.** Sự sử dụng dụng cụ điện cầm tay khác với mục đích thiết kế có thể tạo nên tình huống nguy hiểm.
- ▶ **Giữ tay cầm và bề mặt nắm luôn khô ráo, sạch sẽ và không dính dầu mỡ.** Tay cầm và bề mặt nắm trơn trượt không đem lại thao tác an toàn và kiểm soát dụng cụ trong các tình huống bất ngờ.

#### Bảo dưỡng

- ▶ **Đưa dụng cụ điện cầm tay của bạn đến thợ chuyên môn để bảo dưỡng, chỉ sử dụng phụ tùng đúng chủng loại để thay.** Điều này sẽ đảm bảo sự an toàn của máy được giữ nguyên.

#### Các hướng dẫn an toàn cho máy mài

- ▶ **Chỉ sử dụng dụng cụ điện để mài khô.** Nước vào máy sẽ làm tăng nguy cơ bị điện giật.
- ▶ **Đảm bảo rằng không có người bị nguy hiểm do tia lửa điện bay ra. Loại bỏ các vật liệu dễ cháy từ gần đó.** Khi mài kim loại sẽ xuất hiện tia lửa điện bay ra.
- ▶ **Chú ý nguy cơ cháy! Tránh quá nhiệt vật liệu mài và máy mài. Luôn xả rỗng thùng chứa bụi trước khi tạm dừng làm việc.** Bụi mài trong túi chứa bụi, bộ vi lọc, túi giấy (hoặc trong bộ lọc kiểu túi hoặc bộ lọc của máy hút bụi) có thể tự đánh lửa dưới các điều kiện không phù hợp, như tia lửa điện bay ra khi mài kim loại. Có nguy hiểm đặc biệt, nếu bụi mài trộn với các cặn sơn, cặn polyurethane hoặc những chất hóa học khác và vật liệu mài nóng lên sau thời gian dài hoạt động.
- ▶ **Thường xuyên làm sạch các khe thông gió của dụng cụ điện.** Quạt gió môtơ sẽ kéo bụi nằm trong vỏ máy ra và sự tích tụ quá nhiều bột kim loại có thể gây nên các nguy hiểm về điện.
- ▶ **Luôn luôn đợi cho máy hoàn toàn ngừng hẳn trước khi đặt xuống.**
- ▶ **Kẹp chặt vật gia công.** Vật gia công được kẹp bằng một thiết bị kẹp hay bằng ê-tô thì vững chắc hơn giữ bằng tay.

## Mô Tả Sản Phẩm và Đặc Tính Kỹ Thuật



**Đọc kỹ mọi cảnh báo an toàn và mọi hướng dẫn.** Không tuân thủ mọi cảnh báo và hướng dẫn được liệt kê dưới đây có thể bị điện giật, gây cháy và / hay bị thương tật nghiêm trọng.

Xin lưu ý các hình minh họa trong phần trước của hướng dẫn vận hành.

#### Sử dụng đúng cách

Máy được thiết kế để chà khô vật liệu gỗ, nhựa mù, kim loại, chất trám độn cũng như các bề mặt đã sơn phủ.

Các máy có bộ phận điều khiển điện tử cũng thích hợp cho việc đánh bóng.

#### Các bộ phận được minh họa

Sự đánh số các biểu trưng của sản phẩm là để tham khảo hình minh họa của máy trên trang hình ảnh.

- (1) Công tắc Tắt/Mở
- (2) Nút vặn khóa dùng chọn trước tần suất xoay tròn (GEX 125-1 AE)
- (3) Hộp đựng bụi hoàn chỉnh (hệ thống bộ vi lọc)
- (4) Tay nắm (có bề mặt nắm cách điện)

- (5) Đĩa chà
- (6) Giấy nhám<sup>a)</sup>
- (7) Vít để bắt đĩa chà
- (8) Lỗ thoát
- (9) Chi tiết lọc (hệ thống bộ vi lọc)

**(10) Ống hút<sup>a)</sup>**

- a) Phụ tùng được trình bày hay mô tả không phải là một phần của tiêu chuẩn hàng hóa được giao kèm theo sản phẩm. Bạn có thể tham khảo tổng thể các loại phụ tùng, phụ kiện trong chương trình phụ tùng của chúng tôi.

**Thông số kỹ thuật**

Máy Chà Nhám Xoay Vòng Ngẫu Nhiên	GEX 125-1 A Professional	GEX 125-1 AE Professional
Mã số máy	<b>3 601 C87 0..</b>	<b>3 601 C87 5..</b>
Sự chọn trước tốc độ của hành trình xoay tròn	–	●
Công suất vào danh định	W 250	250
Tốc độ không tải $n_0$	$\text{min}^{-1}$ 12000	7500–12000
Tần suất vòng xoay	$\text{min}^{-1}$ 24000	15000–24000
Đường kính mạch dao động	mm 2,5	2,5
Đường kính đĩa chà	mm 125	125
Trọng lượng theo EPTA-Procedure 01:2014	kg 1,3	1,3
Cấp độ bảo vệ	□ / II	□ / II

Các giá trị đã cho có hiệu lực cho điện thế danh định [U] 230 V. Đối với điện thế thấp hơn và các loại máy dành riêng cho một số quốc gia, các giá trị này có thể thay đổi.

**Sự lắp vào**

- Trước khi tiến hành bất cứ việc gì trên máy, kéo phích cắm điện nguồn ra.

**Chọn Loại Giấy Nhám**

Tùy theo loại vật liệu được gia công và tốc độ loại bỏ vật liệu, có thể mua ngoài thị trường nhiều loại giấy nhám khác nhau:

	Nguyên liệu	Ứng dụng	Kích Cỡ Hạt	
<b>best for Paint</b>	– Màu	Chà cho bong tróc sơn	thô	40
	– Vẹc-ni			60
	– Chất đậm	Để mài lớp sơn lót (ví dụ loại bỏ các nét cọ vẽ cuối cùng, giọt màu và các vết)	trung bình	80
	– Chất trám			100 120
		Chà hoàn thiện sơn lót trước khi sơn phủ	tinh	180 240 320 400



	Nguyên liệu	Ứng dụng	Kích Cỡ Hạt			
expert Wood best Wood	Expert for Wood – Toàn bộ vật liệu gỗ (ví dụ gỗ cứng, gỗ mềm, ván dăm, ván xây dựng)	Để mài sơ bộ, ví dụ mài các thanh và tấm ván thô	thô	40 60		
	Best for Wood – Gỗ cứng – Ván dăm (ván okal) – Ván xây dựng – Vật liệu Kim loại	Để mài bề mặt và làm phẳng những chỗ gỗ ghé nhỏ	trung bình	80 100 120		
		Để chà hoàn thiện và chà bóng gỗ	tinh	180 240 320 400		
		best Stone	– Sơn Dùng Cho Ôtô	Giai đoạn trước khi chà	thô	80
			– Công trình nề, đá	Để tạo dáng và chà cạnh viền	trung bình	100 120
– Đá Cẩm Thạch	Để chà hoàn thiện và định dáng		tinh	180 240		
– Đá Granit						
– Gốm	320					
– Thủy Tinh	400					
– Thủy Tinh Plêxi	Để chà bóng và bo tròn cạnh	rất mịn	600 1200			
– Nhựa sợi thủy tinh						

### Thay giấy nhám (xem hình A)

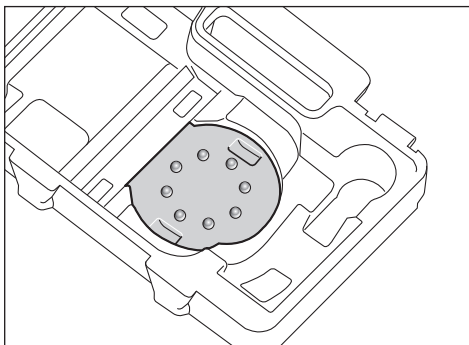
Để loại bỏ giấy nhám (6) hãy nâng nó ở bên hông và kéo ra khỏi đĩa chà (5).

Hãy loại bỏ bụi bẩn khỏi đĩa chà (5) bằng chổi trước khi lắp giấy nhám mới.

Bề mặt của đĩa chà (5) gồm sợi băng dán xe, để bạn có thể gắn giấy nhám với lớp băng dán xe một cách nhanh chóng và dễ dàng.

Hãy ấn giấy nhám (6) thật chặt lên mặt dưới của đĩa chà (5).

Để đảm bảo hút bụi tối ưu, hãy lưu ý rằng lỗ đột trên giấy nhám (6) phải khớp với các lỗ khoan trên đĩa chà (5).



Để điều chỉnh đơn giản giấy nhám (6) ở đĩa chà (5) bạn có thể sử dụng sự trợ giúp hiệu chỉnh được hiển thị trong ảnh ở trong hộp dụng cụ. Hãy đặt giấy nhám có sợi băng dán xe lên trên vào dụng cụ

hỗ trợ điều chỉnh và ấn chặt dụng cụ điện có đĩa chà lên.

### Chọn Lựa Đĩa Chà

Tùy theo ứng dụng, máy có thể trang bị các loại đĩa chà có độ cứng khác nhau:

- Đĩa chà, cực mềm: Thích hợp để đánh bóng và chà vật dễ bị trầy xước, kể cả lên trên bề mặt lỗ lõm.
- Đĩa chà, cứng trung bình: Thích hợp cho tất cả các loại chà nhám; sử dụng phổ biến.
- Đĩa chà cứng: Thích hợp cho việc gia công chà với năng suất cao trên các bề mặt phẳng.

### Thay đĩa chà (xem hình B)

**Hướng dẫn:** Bạn hãy thay ngay đĩa chà bị hỏng (5).

Lấy giấy nhám hay dụng cụ đánh bóng ra. Hãy vặn 4 vít (7) ra hết cỡ và tháo đĩa chà ra (5). Hãy lắp đĩa chà mới (5) và siết chặt lại vít.

**Hướng dẫn:** Khi lắp đĩa chà hãy đảm bảo rằng rãnh của khóa dừng bắt chặt vào lỗ của đĩa chà.

**Hướng dẫn:** Giá đỡ đĩa chà chỉ được thay bởi một đại lý ủy quyền dịch vụ khách hàng dụng cụ điện Bosch.

### Hút Dăm/Bụi

Mạt bụi từ các vật liệu được sơn phủ ngoài có chứa chì trên một số loại gỗ, khoáng vật và kim loại có thể gây nguy hại đến sức khỏe con người. Dụng cụ chạm hay hít thở các bụi này có thể làm người sử dụng hay đứng gần bị dị ứng và/hoặc gây nhiễm

trùng hệ hô hấp.

Một số mặt bụi cụ thể, ví dụ như bụi gỗ sồi hay dầu, được xem là chất gây ung thư, đặc biệt là có liên quan đến các chất phụ gia dùng xử lý gỗ (chất cromat, chất bảo quản gỗ). Có thể chỉ nên để thợ chuyên môn gia công các loại vật liệu có chứa amiăng.

- Cách xa ở mức có thể được, sử dụng hệ thống hút thích hợp cho loại vật liệu.
- Tạo không khí thông thoáng nơi làm việc.
- Khuyến nghị nên mang mặt nạ phòng độc có bộ lọc cấp P2.

Tuân thủ các qui định của quốc gia bạn liên quan đến loại vật liệu gia công.

- ▶ **Tránh không để rác tích tụ tại nơi làm việc.**  
Rác có thể dễ dàng bắt lửa.

### Hệ Thống Hút Bụi Tích Hợp có hộp đựng bụi (xem Hình ảnh C1–C4)

Đặt hộp đựng bụi (3) vào vòi xả (8), cho tới khi vào khớp.

Mức đầy của hộp đựng bụi (3) có thể được kiểm tra dễ dàng bằng bình chứa trong suốt.

Để xả rỗng hộp đựng bụi (3) hãy xoay về phía sau. Trước khi mở hộp đựng bụi (3) bạn cần gõ lên một bề mặt cứng như mô tả trong hình ảnh để loại bỏ bụi khỏi ruột bộ lọc.

Hãy giữ chặt hộp đựng bụi (3), gấp ruột bộ lọc (9) lên trên và trút sạch hộp đựng bụi. Hãy vệ sinh các bản mỏng của ruột bộ lọc (9) bằng bàn chải mềm.

### Hút bụi bên ngoài (xem hình D)

Cắm ống hút (10) vào vòi xả (8).

Nối ống hút (10) với một chiếc máy hút bụi. Ở phần đầu của tài liệu hướng dẫn này bạn sẽ tìm thấy phần tổng quan về việc kết nối ở các máy hút bụi khác nhau.

Máy hút bụi phải thích hợp dành cho loại vật liệu đang gia công.

Khi hút bụi khô loại đặc biệt gây nguy hại đến sức khỏe hoặc gây ra ung thư, hãy sử dụng máy hút bụi loại chuyên dụng.

## Vận Hành

### Bắt Đầu Vận Hành

- ▶ **Hãy cẩn thận với nguồn điện! Điện thế nguồn phải đúng với điện thế đã ghi rõ trên nhãn máy. Dụng cụ điện được ghi 230 V cũng có thể được vận hành ở 220 V.**

### Bật/Tắt

- ▶ **Hãy đảm bảo rằng, bạn có thể nhấn Công tắc bật/tắt, mà không cần nhả tay nắm.**

Để **bật** dụng cụ điện bạn hãy nghiêng công tắc bật/tắt (1) sang phải vào vị trí "I".

Để **tắt** dụng cụ điện cầm tay hãy nghiêng công tắc bật/tắt (1) sang trái vào vị trí "O".

### Chọn trước tốc độ của hành trình xoay tròn (GEX 125-1 AE)

Với núm vặn phía dùng chọn trước tần suất xoay tròn (2) bạn có thể chọn trước tốc độ của hành trình xoay tròn cần thiết trong khi vận hành.

- 1 – 2 tốc độ hành trình thấp
- 3 – 4 tốc độ hành trình trung bình
- 5 – 6 tốc độ hành trình cao

Tốc độ của hành trình xoay tròn theo yêu cầu tùy thuộc vào loại vật liệu và điều kiện gia công và có thể xác định được thông qua thực tế thử nghiệm. Sau thời gian gia công dài ở tốc độ hành trình thấp, hãy để cho máy nguội xuống bằng cách cho máy chạy không tải ở tốc độ tối đa trong khoảng 3 phút.

### Bộ Phận Hãm Đĩa Chà

Bộ phận hãm tốc đĩa chà lắp trong máy làm giảm tốc độ khi máy chạy ở chế độ không tải để tránh làm trầy xước vật gia công khi tiếp máy lên trên bề mặt.

Nếu như tốc độ không tải vẫn tiếp tục tăng theo tiến trình hoạt động, như vậy, đĩa chà đã bị hỏng và phải được thay thế hoặc là do thắng hãm tốc của đĩa chà đã bị mòn. Thắng hãm tốc của đĩa chà bị mòn phải do đại lý được ủy nhiệm dịch vụ hàng sau khi bán dụng cụ điện cầm tay Bosch thay thế.

### Hướng Dẫn Sử Dụng

- ▶ **Trước khi tiến hành bất cứ việc gì trên máy, kéo phích cắm điện nguồn ra.**
- ▶ **Luôn luôn đợi cho máy hoàn toàn ngừng hẳn trước khi đặt xuống.**
- ▶ **Dụng cụ điện không phù hợp cho vận hành tĩnh.** Không được phép kẹp vào một ê-tô hoặc gắn trên một bàn máy.

Để vận hành không mới, bạn có thể giữ dụng cụ điện từ bên trên, từ bên hông hoặc từ phía trước tùy theo ứng dụng (xem hình E).

### Chà Bề Mặt

Mở máy lên, đặt máy với toàn bộ bề mặt chà lên trên bề mặt vật liệu gia công, di chuyển máy với lực áp máy vừa phải lên khắp vật gia công.

Tốc độ gia công chà và cách thức chà được quyết định từ việc lựa chọn giấy nhám, sự chỉnh đặt trước mức chuyển động qua lại và lực áp dụng.

Chỉ có giấy nhám không bị hư hỏng mới cho năng suất chà nhám tốt và kéo dài tuổi thọ của máy.

Hãy lưu ý việc đặt lực áp lên máy để chà phải đồng đều; điều này làm tăng độ bền của giấy nhám.

Tạo lực đè thật mạnh lên máy để chà không làm tăng năng suất chà, nhưng lại làm tăng sự hao mòn của máy và giấy nhám.

Giấy nhám đã được dùng để chà kim loại không nên sử dụng để chà các loại vật liệu khác.

Chỉ nên sử dụng các phụ kiện chà nhám chính hãng **Bosch**.

#### Chà Thô

Lắp giấy nhám loại có hạt to vào.

Chỉ đặt lực áp nhẹ lên máy để cho máy hoạt động ở tốc độ hành trình cao và đạt được năng suất gia công cao.

#### Chà Mịn

Lắp giấy nhám loại có hạt nhỏ mịn vào.

Bằng cách thay đổi một chút lực áp hoặc thay đổi tần suất dao động, bạn có thể giảm tốc độ của hành trình xoay tròn, đồng thời duy trì chuyển động lệch tâm.

Di chuyển máy theo động tác xoay tròn hay số theo chiều dọc và ngang xen kẽ nhau lên khắp vật gia công/mặt ngoài với lực áp vừa phải. Không được dùng nghiêng máy để tránh chà thủng qua vật gia công (vd., khi chà lớp gỗ dán lên bề mặt).

Sau khi hoàn tất công đoạn gia công, tắt máy.

#### Đánh Bóng

Để đánh bóng lớp sơn do thời tiết làm phai màu hay chà xóa các vết xước (vd., thủy tinh acrylic), có thể trang bị cho máy các phụ kiện thích hợp, ví dụ., bao chụp lông cừu non, nỉ đánh bóng hay bọt xốp (phụ kiện).

Khi đánh bóng, chọn tốc độ của hành trình xoay tròn thấp (mức 1 -2) để tránh làm nóng bề mặt quá mức.

Bôi thuốc đánh bóng lên trên bề mặt với một lượng nhỏ hơn diện tích bề mặt mà bạn định đánh bóng. Cho chất đánh bóng vào dụng cụ đánh bóng thích hợp, ứng dụng việc chà bóng theo hình chữ thập hay vòng tròn với lực áp máy vừa phải.

Không được để cho chất đánh bóng bôi trên bề mặt bị khô, nếu không, bề mặt có thể bị hư hại. Không được để bề mặt đánh bóng phải chịu ánh sáng mặt trời trực tiếp chiếu vào.

Làm sạch dụng cụ đánh bóng thường xuyên để đảm bảo kết quả đánh bóng tốt. Dùng chất tẩy rửa có nồng độ nhẹ với nước ấm để giặt sạch các phụ kiện đánh bóng, không được sử dụng dung dịch dùng để pha sơn.

## Bảo Dưỡng và Bảo Quản

### Bảo Dưỡng Và Làm Sạch

- ▶ Trước khi tiến hành bất cứ việc gì trên máy, kéo phích cắm điện nguồn ra.
- ▶ Để được an toàn và máy hoạt động đúng chức năng, luôn luôn giữ máy và các khe thông gió được sạch.

Nếu như cần phải thay dây dẫn điện thì công việc này phải do hãng **Bosch**, hay một đại lý được

**Bosch** ủy nhiệm thực hiện để tránh gặp sự nguy hiểm do mất an toàn.

### Dịch vụ hỗ trợ khách hàng và tư vấn sử dụng

Bộ phận phục vụ hàng sau khi bán của chúng tôi trả lời các câu hỏi liên quan đến việc bảo dưỡng và sửa chữa các sản phẩm cũng như phụ tùng thay thế của bạn. Sơ đồ mô tả và thông tin về phụ tùng thay thế cũng có thể tra cứu theo dưới đây:

**www.bosch-pt.com**

Đội ngũ tư vấn sử dụng của Bosch sẽ giúp bạn giải đáp các thắc mắc về sản phẩm và phụ kiện.

Trong tất cả các phản hồi và đơn đặt phụ tùng, xin vui lòng luôn luôn nhập số hàng hóa 10 chữ số theo nhãn của hàng hóa.

#### Việt Nam

CN CÔNG TY TNHH BOSCH VIỆT NAM TẠI TP.HCM

Tầng 14, Ngôi Nhà Đức, 33 Lê Duẩn  
Phường Bến Nghé, Quận 1, Thành Phố Hồ Chí Minh

Tel.: (028) 6258 3690

Fax: (028) 6258 3692 - 6258 3694

Hotline: (028) 6250 8555

Email: [tuvankhachhang-pt@vn.bosch.com](mailto:tuvankhachhang-pt@vn.bosch.com)

[www.bosch-pt.com.vn](http://www.bosch-pt.com.vn)

[www.baohanhbosch-pt.com.vn](http://www.baohanhbosch-pt.com.vn)

#### Xem thêm địa chỉ dịch vụ tại:

[www.bosch-pt.com/serviceaddresses](http://www.bosch-pt.com/serviceaddresses)

### Sự thải bỏ

Máy, linh kiện và bao bì phải được phân loại để tái chế theo hướng thân thiện với môi trường.



Không được thải bỏ dụng cụ điện vào chung với rác sinh hoạt!