

Robert Bosch Power Tools GmbH  
70538 Stuttgart  
GERMANY

[www.bosch-pt.com](http://www.bosch-pt.com)

1 609 92A 506 (2019.08) T / 32



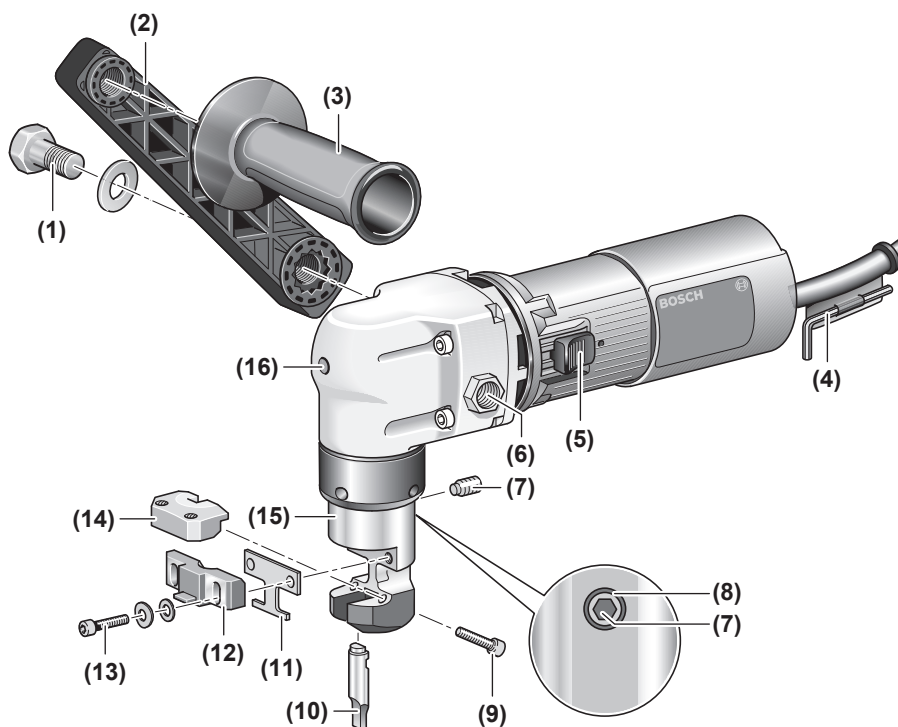
1 609 92A 506

# GNA 3,5 Professional

 **BOSCH**

en Original instructions  
zh 正本使用说明书  
zh 原始使用說明書  
ko 사용 설명서 원본  
th หนังสือคู่มือการใช้งานฉบับต้นแบบ  
id Petunjuk-Petunjuk untuk Penggunaan Orisinal  
vi Bản gốc hướng dẫn sử dụng

English .....	Page	4
中文 .....	页	10
繁體中文 .....	頁	13
한국어 .....	페이지	16
ไทย .....	หน้า	19
Bahasa Indonesia .....	Halaman	24
Tiếng Việt .....	Trang	28

**GNA 3,5**

# English

## Safety instructions

### General Power Tool Safety Warnings

**⚠ WARNING** Read all safety warnings, instructions, illustrations and specifications provided with this power tool. Failure to follow all instructions listed below may result in electric shock, fire and/or serious injury.

**Save all warnings and instructions for future reference.**

The term "power tool" in the warnings refers to your mains-operated (corded) power tool or battery-operated (cordless) power tool.

#### Work area safety

- ▶ **Keep work area clean and well lit.** Cluttered or dark areas invite accidents.
- ▶ **Do not operate power tools in explosive atmospheres, such as in the presence of flammable liquids, gases or dust.** Power tools create sparks which may ignite the dust or fumes.
- ▶ **Keep children and bystanders away while operating a power tool.** Distractions can cause you to lose control.

#### Electrical safety

- ▶ **Power tool plugs must match the outlet. Never modify the plug in any way. Do not use any adapter plugs with earthed (grounded) power tools.** Unmodified plugs and matching outlets will reduce risk of electric shock.
- ▶ **Avoid body contact with earthed or grounded surfaces, such as pipes, radiators, ranges and refrigerators.** There is an increased risk of electric shock if your body is earthed or grounded.
- ▶ **Do not expose power tools to rain or wet conditions.** Water entering a power tool will increase the risk of electric shock.
- ▶ **Do not abuse the cord. Never use the cord for carrying, pulling or unplugging the power tool. Keep cord away from heat, oil, sharp edges or moving parts.** Damaged or entangled cords increase the risk of electric shock.
- ▶ **When operating a power tool outdoors, use an extension cord suitable for outdoor use.** Use of a cord suitable for outdoor use reduces the risk of electric shock.
- ▶ **If operating a power tool in a damp location is unavoidable, use a residual current device (RCD) protected supply.** Use of an RCD reduces the risk of electric shock.

#### Personal safety

- ▶ **Stay alert, watch what you are doing and use common sense when operating a power tool. Do not use a power tool while you are tired or under the influence of drugs, alcohol or medication.** A moment of inatten-

tion while operating power tools may result in serious personal injury.

- ▶ **Use personal protective equipment. Always wear eye protection.** Protective equipment such as a dust mask, non-skid safety shoes, hard hat or hearing protection used for appropriate conditions will reduce personal injuries.
- ▶ **Prevent unintentional starting. Ensure the switch is in the off-position before connecting to power source and/or battery pack, picking up or carrying the tool.** Carrying power tools with your finger on the switch or energising power tools that have the switch on invites accidents.
- ▶ **Remove any adjusting key or wrench before turning the power tool on.** A wrench or a key left attached to a rotating part of the power tool may result in personal injury.
- ▶ **Do not overreach. Keep proper footing and balance at all times.** This enables better control of the power tool in unexpected situations.
- ▶ **Dress properly. Do not wear loose clothing or jewellery. Keep your hair and clothing away from moving parts.** Loose clothes, jewellery or long hair can be caught in moving parts.
- ▶ **If devices are provided for the connection of dust extraction and collection facilities, ensure these are connected and properly used.** Use of dust collection can reduce dust-related hazards.
- ▶ **Do not let familiarity gained from frequent use of tools allow you to become complacent and ignore tool safety principles.** A careless action can cause severe injury within a fraction of a second.

#### Power tool use and care

- ▶ **Do not force the power tool. Use the correct power tool for your application.** The correct power tool will do the job better and safer at the rate for which it was designed.
- ▶ **Do not use the power tool if the switch does not turn it on and off.** Any power tool that cannot be controlled with the switch is dangerous and must be repaired.
- ▶ **Disconnect the plug from the power source and/or remove the battery pack, if detachable, from the power tool before making any adjustments, changing accessories, or storing power tools.** Such preventive safety measures reduce the risk of starting the power tool accidentally.
- ▶ **Store idle power tools out of the reach of children and do not allow persons unfamiliar with the power tool or these instructions to operate the power tool.** Power tools are dangerous in the hands of untrained users.
- ▶ **Maintain power tools and accessories. Check for misalignment or binding of moving parts, breakage of parts and any other condition that may affect the power tool's operation. If damaged, have the power tool repaired before use.** Many accidents are caused by poorly maintained power tools.

- ▶ **Keep cutting tools sharp and clean.** Properly maintained cutting tools with sharp cutting edges are less likely to bind and are easier to control.
- ▶ **Use the power tool, accessories and tool bits etc. in accordance with these instructions, taking into account the working conditions and the work to be performed.** Use of the power tool for operations different from those intended could result in a hazardous situation.
- ▶ **Keep handles and grasping surfaces dry, clean and free from oil and grease.** Slippery handles and grasping surfaces do not allow for safe handling and control of the tool in unexpected situations.

#### Service

- ▶ **Have your power tool serviced by a qualified repair person using only identical replacement parts.** This will ensure that the safety of the power tool is maintained.

#### Safety instructions for nibblers

- ▶ **This power tool is not suitable for bench-mounted use.** It must not be clamped into a vice or fastened to a workbench, for example.
- ▶ **Wear protective gloves during work and pay particular attention to the cord.** Sharp burrs develop on the cut sheets; these can cause injury or damage the cord.

#### Products sold in GB only:

Your product is fitted with an BS 1363/A approved electric plug with internal fuse (ASTA approved to BS 1362).

If the plug is not suitable for your socket outlets, it should be cut off and an appropriate plug fitted in its place by an authorised customer service agent. The replacement plug should have the same fuse rating as the original plug.

The severed plug must be disposed of to avoid a possible shock hazard and should never be inserted into a mains socket elsewhere.

- ▶ **Hold the power tool firmly with both hands and make sure you have a stable footing.** The power tool can be more securely guided with both hands.

## Product Description and Specifications



#### Read all the safety and general instructions.

Failure to observe the safety and general instructions may result in electric shock, fire and/or serious injury.

Please observe the illustrations at the beginning of this operating manual.

#### Intended Use

The power tool is intended for cutting sheet metal without deforming the material and is suitable for straight cuts, cut-outs and narrow curves.

## Product Features

The numbering of the product features refers to the diagram of the power tool on the graphics page.

- (1) Screw for handle holder
- (2) Handle holder
- (3) Auxiliary handle
- (4) Hex key
- (5) On/off switch
- (6) Thread for auxiliary handle
- (7) Screw for punch fastener
- (8) Hole on die holder
- (9) Screw for die
- (10) Punch
- (11) Guide plate
- (12) Hold-down device
- (13) Screw for hold-down device
- (14) Die
- (15) Die holder
- (16) Punch positioner

## Technical Data

Nibbler		GNA 3,5
Article number		<b>0 601 533 1..</b>
Rated power input	W	620
Power output	W	340
No-load stroke rate $n_0$	min <sup>-1</sup>	1000
Stroke speed under load	min <sup>-1</sup>	670
Max. sheet thickness that can be cut <sup>A)</sup>	mm	3.5
Cutting track width	mm	6
Min. curve radius	mm	70
Weight according to EPTA-Procedure 01:2014	kg	3.5
Protection class		□/II

A) with reference to steel sheet of up to 400 N/mm<sup>2</sup>

The specifications apply to a rated voltage [U] of 230 V. These specifications may vary at different voltages and in country-specific models.

## Assembly

### Auxiliary handle

Screw the auxiliary handle (3) into the thread (6) on the left- or right-hand side of the housing.

You can use the handle holder (2) to extend the auxiliary handle and reposition it at any angle for a safe work posture that minimises fatigue.

If the auxiliary handle is already fitted, unscrew it from the thread (6). Use the screw (1) to screw the handle holder (2) in the thread at the required angle on the left- or right-hand

side of the housing. Screw the auxiliary handle into the narrower end of the handle holder on the left- or right-hand side accordingly.

If you attach the handle holder on the left-hand side of the housing, make sure that it does not cover the on/off switch (5).

## Operation

- **Products that are only sold in AUS and NZ:** Use a residual current device (RCD) with a nominal residual current of 30 mA or less.

### Starting Operation

- **Pay attention to the mains voltage. The voltage of the power source must match the voltage specified on the rating plate of the power tool. Power tools marked with 230 V can also be operated with 220 V.**

#### Adjusting the hold-down device

Adjusting the hold-down device (12) to the thickness of the sheet being cut eliminates vibrations.

Hold the power tool so that the die (14) touches the underside of the sheet to be cut. Loosen the screws (13) on the hold-down device. Push the hold-down device (12) onto the sheet, leaving a little clearance (approx. 0.3 mm). Make sure that the hold-down device is straight and not at an angle. Retighten the screws (13).

#### Switching On and Off

To **switch on** the power tool, slide the on/off switch (5) forwards so that **I** appears on the switch.

To **lock** the on/off switch (5), push down on the front of the switch as well.

To **switch off** the power tool, release the on/off switch (5). When the on/off switch is locked, press down on the back of the switch and then release it.

### Working Advice

- **Pull the plug out of the socket before carrying out any work on the power tool.**
- **This power tool is not suitable for bench-mounted use.** It must not be clamped into a vice or fastened to a workbench, for example.
- **Wear protective gloves during work and pay particular attention to the cord.** Sharp burrs develop on the cut sheets; these can cause injury or damage the cord.
- **Exercise caution when handling the cutting chips.** The chips have sharp tips that can cause injuries.

Apply the power tool to the workpiece only when switched on. Always hold the power tool vertical to the surface of the steel sheet and do not tilt it.

The cut is made as the punch moves downwards. Guide the power tool evenly, pushing it gently in the cutting direction. Applying too much pressure to the power tool will significantly reduce the service life of application tools and can damage the power tool.

The power tool operates more quietly when it is raised slightly during cutting. If the punch jams during cutting, switch the power tool off, lubricate the punch and release the sheet. Do not use force to do this, as this will damage the punch and the die.

#### Maximum steel sheet cutting capacity

The maximum steel sheet cutting capacity  $d_{\max}$  depends on the strength properties of the material to be cut.

The power tool allows for cutting of metal sheet to the following thicknesses:

Material	max. strength (N/mm <sup>2</sup> )	$d_{\max}$ (mm)
Steel	400	<b>3.5</b>
	600	<b>2.4</b>
	800	<b>1.6</b>
Aluminium	200	<b>4.0</b>

#### Lubricating/cooling the punch

To extend the service life of the punch (10), a lubricating agent with good cooling properties (e.g. cutting oil) should be used.

Apply a line of lubricant to the top side of the metal sheet along the intended cutting line.

For long periods of continual use or for work with high frictional wear (e.g. when cutting aluminium), the application tool should be immersed in a container of lubricant at regular intervals.

#### Cutting along a scribe line or with a template

You can use the projection on the hold-down device (12) as the cut mark when cutting along a scribe line.

Straight cuts are carried out easier when the power tool is guided alongside a rule.

Contours can be cut by guiding the power tool along a template.

For inside cuts, a hole with a diameter of **41 mm** must be pre-drilled.

## Maintenance and Service

### Maintenance and Cleaning

- **Pull the plug out of the socket before carrying out any work on the power tool.**
- **To ensure safe and efficient operation, always keep the power tool and the ventilation slots clean.**

In order to avoid safety hazards, if the power supply cord needs to be replaced, this must be done by **Bosch** or by an after-sales service centre that is authorised to repair **Bosch** power tools.

Clean and lubricate the punch (10), die (14) and guide plate (11) after every three hours in operation.

Change the punch, die and guide plate in good time when worn. Only sharp tools achieve a good cutting quality and make the power tool last longer.

**Changing the die**

Loosen and remove the two screws (9). Insert a new die (14) and tighten it firmly with the screws.

Worn dies must not be reground.

**Changing the guide plate**

The guide plate (11) is used to protect the die holder (15).

To change the guide plate (11), remove the die (14) as described above. Then loosen and remove the screws (13) on the hold-down device. Remove the hold-down device (12) and the guide plate.

Insert a new guide plate (11). Secure the die (14) with the screws (9) and secure the hold-down device (12) with the screws (13). Tighten all screws firmly.

**Changing the punch**

Insert the hex key (4) into the screw head of the punch positioner (16). Turn the punch positioner until the screw (7) is in the exact centre of the hole (8) on the die holder. Remove the hex key from the punch positioner.

Remove the die (14), the hold-down device (12) and the guide plate (11) as described above.

Loosen the screw (7) on the punch fastener and pull the punch (10) downwards out of the tool. Thoroughly lubricate the new or reground punch and insert it from underneath. Retighten the screw (7) on the punch fastener.

Attach the guide plate (11), the hold-down device (12) and the die (14) as described above.

**Regrinding the punch**

Regrinding the punch in good time (e.g. with a diamond grinding disc) can often prevent the punch (10) from chipping. Severely damaged punches must not be reground.

The punch must not be reground by more than 1 mm. Grinding must only be carried out on the cutting face and at exactly 90° to the centre axis.

Gently sharpen the cutting edges of the punch using a fine whetstone.

**After-Sales Service and Application Service**

Our after-sales service responds to your questions concerning maintenance and repair of your product as well as spare parts. You can find explosion drawings and information on spare parts at: [www.bosch-pt.com](http://www.bosch-pt.com)

The Bosch product use advice team will be happy to help you with any questions about our products and their accessories.

In all correspondence and spare parts orders, please always include the 10-digit article number given on the nameplate of the product.

**Cambodia**

Robert Bosch (Cambodia) Co., Ltd  
Unit 8BC, GT Tower, 08th Floor, Street 169,  
Czechoslovakia Blvd, Sangkat Veal Vong  
Khan 7 Makara, Phnom Penh  
VAT TIN: 100 169 511  
Tel.: +855 23 900 685

Tel.: +855 23 900 660

[www.bosch.com.kh](http://www.bosch.com.kh)

**People's Republic of China  
China Mainland**

Bosch Power Tool (China) Co. Ltd.  
Bosch Service Center  
567, Bin Kang Road  
Bin Kang District  
Hangzhou, Zhejiang Province  
China 310052

Tel.: (0571) 8887 5566 / 5588

Fax: (0571) 8887 6688 x 5566# / 5588#

E-Mail: [bsc.hz@cn.bosch.com](mailto:bsc.hz@cn.bosch.com)

[www.bosch-pt.com.cn](http://www.bosch-pt.com.cn)

**HK and Macau Special Administrative Regions**

Robert Bosch Co. Ltd.  
Flat B, 2/F, Yeung Yiu Chung No. 6 Industrial Building,  
19 Cheung Shun Street  
Cheung Sha Wan  
Kowloon, Hong Kong  
Customer Service Hotline: +852 2101 0235  
Fax: +852 2590 9762  
E-Mail: [info@hk.bosch.com](mailto:info@hk.bosch.com)  
[www.bosch-pt.com.hk](http://www.bosch-pt.com.hk)

**India**

Bosch Service Center  
69, Habibullah Road, (Next to PSBB School), T. Nagar  
Chennai-600077  
Phone: (044) 64561816

Bosch Service Center  
18, Community Center  
Phase 1, Mayapuri  
New Delhi-110064  
Phone: (011) 43166190

**Indonesia**

PT Robert Bosch  
Palma Tower 10th Floor  
Jalan RA Kartini II-S Kaveling 6  
Pondok Pinang, Kebayoran Lama  
Jakarta Selatan 12310  
Tel.: (21) 3005-5800  
[www.bosch-pt.co.id](http://www.bosch-pt.co.id)

**Malaysia**

Robert Bosch Sdn. Bhd.(220975-V) PT/SMY  
No. 8A, Jalan 13/6  
46200 Petaling Jaya  
Selangor  
Tel.: (03) 79663194  
Toll-Free: 1800 880188  
Fax: (03) 79583838  
E-Mail: [kiathoe.chong@my.bosch.com](mailto:kiathoe.chong@my.bosch.com)  
[www.bosch-pt.com.my](http://www.bosch-pt.com.my)

**Pakistan**

Robert Bosch Middle East FZE – Pakistan Liaison Office  
2nd Floor Plaza # 10, CCA Block, DHA Phase 5  
Lahore, 54810

Phone: +92(303)4444311  
Email: Faisal.Khan@bosch.com

#### **Philippines**

Robert Bosch, Inc.  
28th Floor Fort Legend Towers,  
3rd Avenue corner 31st Street,  
Fort Bonifacio, Global City,  
1634 Taguig City  
Tel.: (632) 8703871  
Fax: (632) 8703870  
www.bosch-pt.com.ph

#### **Singapore**

Powerwell Service Centre Ptd Ltd  
Bosch Authorised Service Centre (Power Tools)  
4012 Ang Mo Kio Ave 10, #01-02 TECHplace  
Singapore 569628  
Tel.: 6452 1770  
Fax: 6452 1760  
E-Mail: ask@powerwellsc.com  
www.powerwellsc.com  
www.bosch-pt.com.sg

#### **Thailand**

Robert Bosch Ltd.  
FYI Center Tower 1, 5th Floor,  
2525 Rama IV Road, Klongtoei,  
Bangkok 10110  
Tel.: 02 0128888  
Fax: 02 0645802  
www.bosch.co.th

Bosch Service – Training Centre  
La Salle Tower Ground Floor Unit No.2  
10/11 La Salle Moo 16  
Srinakharin Road  
Bangkaew, Bang Plee  
Samutprakarn 10540  
Tel.: 02 7587555  
Fax: 02 7587525

#### **Vietnam**

Branch of Bosch Vietnam Co., Ltd in HCMC  
14th floor, Deutsches Haus, 33 Le Duan  
Ben Nghe Ward, District 1, Ho Chi Minh City  
Tel.: (028) 6258 3690  
Fax: (028) 6258 3692 - 6258 3694  
Hotline: (028) 6250 8555  
Email: tuvankhachhang-pt@vn.bosch.com  
www.bosch-pt.com.vn

#### **Bahrain**

EA Juffali and Brothers for Technical Equipment Company.  
Kingdom of Bahrain, Al Aker - Block 0624 - Road 2403 -  
Building 0055D  
Phone: +97317704537  
Fax: +973177045257  
Email: h.berjas@ejab.com.sa

#### **Egypt**

RBEG-LLC  
22 Kamal Eldin Hussein

Sheraton Heliopolis  
11799 Cairo  
E-mail: boschegypt.powertools@eg.bosch.com

#### **Iran**

Robert Bosch Iran  
3rd Floor, No 3, Maadiran Building  
Aftab St., Khodami St., Vanak Sq.  
Tehran 1994834571  
Phone: +9821- 86092057

#### **Iraq**

Sahba Technology Group  
Al Muthana airport road  
Baghdad  
Phone Bagdad: +964 (0) 7 901 930366  
Phone Dubai: +971 (0) 4 422 1898  
Email: duraid@sahbatechnology.com

#### **Jordan**

Roots Arabia – Jordan  
Al-Hurriyah Street, Al-Muqabalein  
Amman 11623, Jordan  
P.O. Box: 110068  
Tel. : +962 6 4398990  
E-mail: bosch@rootsjordan.com

#### **Kuwait**

Shuwaikh Industrial Area, Block 1, Plot 16, Street 3rd  
P.O. Box 164 – Safat 13002  
Phone: +965 - 2496 88 88  
Fax: +965 - 2481 08 79  
E-mail: josephkr@aaalmutawa.com

#### **Lebanon**

Tehini Hana & Co. S.A.R.L.  
P.O. Box 90-449  
Jdeideh 1202 2040  
Dora-Beirut  
Phone: +9611255211  
Email: service-pt@tehini-hana.com

#### **Libya**

El Naser for Workshop Tools  
Swanee Road, Alfalah Area  
Tripoli  
Phone: +218 21 4811184

#### **Oman**

Malatan Trading & Contracting LLC  
P.O. Box 131, Ruwi, Muscat  
Postal Code: 112, Sultanate of Oman  
Phone: +968 2479 4035/4089/4901  
Mob: +968-91315465  
Fax: +968 2479 4058  
E-Mail: sudhirkumar@malatan.net

#### **Qatar**

International Construction Solutions W L L  
P. O. Box 51, Doha  
Phone: +974 40065458  
Fax: +974 4453 8585  
Email: csd@icsdoha.com



**Saudi Arabia**

Juffali Technical Equipment Co. (JTECO)  
 P.O.Box: 1049 – Jeddah 21431 – KSA  
 Jeddah: 00966 (0) 12 692 0770 – Ext 433  
 Riyadh: 00966 (0) 11 409 3976 – Ext-30/34/39  
 Dammam: 00966 (0) 13 833 9565  
 E-mail: M.Zreik@eajb.com.sa

**Syria**

Dallal Establishment for Power Tools  
 Damascus. Baramkeh street - Ibn Amer street,  
 Phone: +963112241006 or 009631122414009  
 Mobile: 00963991141005  
 Email: rita.dallal@hotmail.com

**United Arab Emirates**

Central Motors & Equipment,  
 P.O. Box 26255, Dubai  
 Dubai: 00971 (0) 4 3090920/3090930  
 Abu Dhabi: 00971 (0) 2 4017745  
 Sharjah: 00971 (0) 6 5932777  
 Al Ain: 00971 (0) 3 7157419  
 E-Mail: Mallappa.Madari@centralmotors.ae

**Yemen**

Abu Alrejal Trading Corporation  
 P.O. Box : 17024 , Zubeiry St.  
 Sana'a, Yemen  
 Tel: +967-1-20 20 10  
 Fax: +967-1-47 19 17  
 E-mail: tech-tools@abualrejal.com/yahya@abualrejal.com

**Ethiopia**

Forever plc  
 Kebele 2,754, BP 4806,  
 Addis Ababa  
 Phone: +251 111 560 600  
 Email: foreverplc@ethionet.et

**Ghana**

Robert Bosch Ghana Limited  
 21 Kofi Annan Road Airport Residential Area Accra  
 Tel. +233 (0)3027 94616

**Kenya**

Robert Bosch East Africa Ltd  
 Mpaka Road P.O. Box 856  
 00606 Nairobi

**Nigeria**

Robert Bosch Nigeria Ltd.  
 52–54 Isaac John Street P.O. Box  
 GRA Ikeja – Lagos

**Tanzania**

Diesel & Autoelectric Service Ltd.  
 117 Nyerere Rd., P.O. Box 70839  
 Vingunguti 12109, Dar Es Salaam  
 Phone: +255 222 861 793/794

**Australia, New Zealand and Pacific Islands**

Robert Bosch Australia Pty. Ltd.  
 Power Tools  
 Locked Bag 66

Clayton South VIC 3169  
 Customer Contact Center  
 Inside Australia:  
 Phone: (01300) 307044  
 Fax: (01300) 307045  
 Inside New Zealand:  
 Phone: (0800) 543353  
 Fax: (0800) 428570  
 Outside AU and NZ:  
 Phone: +61 3 95415555  
 www.bosch-pt.com.au  
 www.bosch-pt.co.nz

**Republic of South Africa  
Customer service**

Hotline: (011) 6519600

**Gauteng – BSC Service Centre**

35 Roper Street, New Centre  
 Johannesburg  
 Tel.: (011) 4939375  
 Fax: (011) 4930126  
 E-Mail: bsctools@icon.co.za

**KZN – BSC Service Centre**

Unit E, Almar Centre  
 143 Crompton Street  
 Pinetown  
 Tel.: (031) 7012120  
 Fax: (031) 7012446  
 E-Mail: bsc.dur@za.bosch.com

**Western Cape – BSC Service Centre**

Democracy Way, Prosperity Park  
 Milnerton  
 Tel.: (021) 5512577  
 Fax: (021) 5513223  
 E-Mail: bsc@zsd.co.za

**Bosch Headquarters**

Midrand, Gauteng  
 Tel.: (011) 6519600  
 Fax: (011) 6519880  
 E-Mail: rbsa-hq.pts@za.bosch.com

**Armenia, Azerbaijan, Georgia**

Robert Bosch Ltd.  
 David Agmashenebeli ave. 61  
 0102 Tbilisi, Georgia  
 Tel. +995322510073  
 www.bosch.com

**Kyrgyzstan, Mongolia, Tajikistan, Turkmenistan,  
Uzbekistan**

TOO "Robert Bosch" Power Tools, After Sales Service  
 Muratbaev Ave., 180  
 050012, Almaty, Kazakhstan  
 Service Email: service.pt.ka@bosch.com  
 Official Website: www.bosch.com, www.bosch-pt.com

**Disposal**

The power tool, accessories and packaging should be recycled in an environmentally friendly manner.



Do not dispose of power tools along with household waste.

## 中文

### 安全规章

#### 电动工具通用安全警告

**警告！** 阅读所有警告和所有说明！不遵照以下警告和说明会导致电击、着火和/或严重伤害。

保存所有警告和说明书以备查阅。

在所有下列的警告中术语“电动工具”指市电驱动（有线）电动工具或电池驱动（无线）电动工具。

#### 工作场地的安全

- ▶ 保持工作场地清洁和明亮。混乱和黑暗的场地会引发事故。
- ▶ 不要在易爆环境，如有易燃液体、气体或粉尘的环境下操作电动工具。电动工具产生的火花会点燃粉尘或气体。
- ▶ 让儿童和旁观者离开后操作电动工具。注意力不集中会使操作者失去对工具的控制。

#### 电气安全

- ▶ 电动工具插头必须与插座相配。绝不能以任何方式改装插头。需接地的电动工具不能使用任何转换插头。未经改装的插头和相配的插座将减少电击危险。
- ▶ 避免人体接触接地表面，如管道、散热片和冰箱。如果你身体接地会增加电击危险。
- ▶ 不得将电动工具暴露在雨中或潮湿环境中。水进入电动工具将增加电击危险。
- ▶ 不得滥用电线。绝不能用电线搬运、拉动电动工具或拔出其插头。使电线远离热源、油、锐边或运动部件。受损或缠绕的软线会增加电击危险。
- ▶ 当在户外使用电动工具时，使用适合户外的外接软线。适合户外使用的软线将减少电击危险。
- ▶ 如果在潮湿环境下操作电动工具是不可避免的，应使用剩余电流动作保护器（RCD）。使用RCD可减小电击危险。

#### 人身安全

- ▶ 保持警觉，当操作电动工具时关注所从事的操作并保持清醒。当你感到疲倦，或在有药物、酒精或治疗反应时，不要操作电动工具。在操作电动工具时瞬间的疏忽会导致严重人身伤害。
- ▶ 使用个人防护装置。始终佩戴护目镜。安全装置，诸如适当条件下使用防尘面具、防滑安全鞋、安全帽、听力防护等装置能减少人身伤害。
- ▶ 防止意外启动。确保开关在连接电源和/或电池盒、拿起或搬运工具时处于断开位置。手指放在

已接通电源的开关上或开关处于接通时插入插头可能会导致危险。

- ▶ 在电动工具接通之前，拿掉所有调节钥匙或扳手。遗留在电动工具旋转零件上的扳手或钥匙会导致人身伤害。
- ▶ 手不要伸展得太长。时刻注意立足点和身体平衡。这样在意外情况下能很好地控制电动工具。
- ▶ 着装适当。不要穿宽松衣服或佩戴饰品。让衣服、手套和头发远离运动部件。宽松衣服、配饰或长发可能会卷入运动部件中。
- ▶ 如果提供了与排屑、集尘设备连接用的装置，要确保他们连接完好且使用得当。使用这些装置可减少尘屑引起的危险。
- ▶ 即使由于经常使用电动工具而对此非常熟悉，也不要就认为可以高枕无忧而忽略工具的安全规定。粗心大意的行为可能在瞬间就造成严重的伤害。

#### 电动工具使用和注意事项 电动工具使用和注意事项

- ▶ 不要滥用电动工具，根据用途使用适当的电动工具。选用适当设计的电动工具会使你工作更有效、更安全。
- ▶ 如果开关不能接通或关断工具电源，则不能使用该电动工具。如果开关不能接通或关断工具电源，则不能使用该电动工具。
- ▶ 在进行任何调节、更换附件或贮存电动工具之前，必须从电源上拔掉插头和/或使电池盒与工具脱开。这种防护性措施将减少工具意外启动的危险。
- ▶ 将闲置不用的电动工具贮存在儿童所及范围之外，并且不要让不熟悉电动工具或对这些说明不了解的人操作电动工具。电动工具在未经培训的用户手中是危险的。
- ▶ 保养电动工具。检查运动件是否调整到位或卡住，检查零件破损情况和影响电动工具运行的其他状况。如有损坏，电动工具应在使用前修理好。许多事故由维护不良的电动工具引发。
- ▶ 保持切削刀具锋利和清洁。保养良好的有锋利切削刃的刀具不易卡住而且容易控制。
- ▶ 按照使用说明书，考虑作业条件和进行的作业来使用电动工具、附件和工具的刀头等。将电动工具用于那些与其用途不符的操作可能会导致危险。
- ▶ 保持手柄和握持表面干燥、清洁、无油污。在突发情况下，滑溜的手柄和握持表面无法确保安全地握持和控制工具。

#### 维修

- ▶ 将电动工具用于那些与其用途不符的操作可能会导致危险。这样将确保所维修的电动工具的安全性。

#### 咬钳安全规章

- ▶ 本电动工具不适合固定式应用。例如不允许夹在虎钳上或固定在工作台上。
- ▶ 操作时请戴上手套，而且要特别注意电线。经过切剪的金属板上会出现锋利的毛边。此利缘可能割伤您或割损电线。

- ▶ 工作时请使用双手握紧电动工具并确保站稳。使用双手才能够稳定地操作电动工具。

## 产品和性能说明



请阅读所有安全规章和指示。不遵照以下警告和说明可能导致电击、着火和/或严重伤害。

请注意本使用说明书开头部分的图示。

### 按照规定使用

本电动工具可以在材料不变形的情况下切割金属板，适用于直锯、开孔和锯切狭小的弯角。

### 插图上的机件

机件的编号和电动工具详解图上的编号一致。

- (1) 手柄支架螺丝
- (2) 手柄支架
- (3) 辅助手柄
- (4) 内六角扳手
- (5) 电源开关
- (6) 辅助手柄螺纹
- (7) 用于固定冲头的螺丝
- (8) 模具支架上的螺孔
- (9) 模具螺丝
- (10) 冲头
- (11) 导引片
- (12) 压板
- (13) 压板螺丝
- (14) 模具
- (15) 模具支架
- (16) 冲头定位件

### 技术参数

剪板机		GNA 3,5
物品代码		0 601 533 1..
额定输入功率	瓦	620
输出功率	瓦	340
空载转速 $n_0$	$\text{min}^{-1}$	1000
负载冲击次数	$\text{min}^{-1}$	670
金属板的最大切剪厚度 <sup>A)</sup>	毫米	3.5
剪轨宽度	毫米	6
最小曲线半径	毫米	70
重量符合	千克	3.5
EPTA-Procedure 01:2014		
保护等级		□/II

A) 针对400牛顿/平方毫米以下的钢板

所有参数适用于230伏的额定电压[U]，对于其他不同的电压和国际规格，数据有可能不同。

## 安装

### 辅助手柄

将辅助手柄(3)旋入螺纹(6)，固定在壳体的左侧或右侧。

您可以借助手柄支架(2)延长和任意摆动辅助手柄，以便在工作时毫无疲劳地牢牢抓紧。

如果辅助手柄已安装，则将其从螺纹(6)中拧出。通过螺丝(1)将手柄支架(2)按所需角度旋入螺纹，固定在壳体的左侧或右侧。将辅助手柄旋入左侧或右侧手柄支架的狭长末端。

如果您将手柄支架固定在壳体左侧，则需注意不要遮挡电源开关(5)。

## 运行

### 投入使用

- ▶ **注意电源电压！** 电源的电压必须和电动工具铭牌上标示的电压一致。标记为230伏电动工具用220伏的电压可以驱动。

### 调整压板

无振动工作时，需将压板(12)调整到相应的金属板厚度。

必须以模具(14)紧靠在待加工金属板底面的方式握持电动工具。松开压板上的螺丝(13)。将压板(12)推到金属板上，留出间隙(约0.3毫米)。请注意笔直推入压板，不可以倾斜。重新拧紧螺丝(13)。

### 电源开关

接通电动工具时，需要向前推动电源开关(5)，使开关上出现I符号。

如要锁定电源开关(5)，另请按压开关前端。

如要关闭电动工具，请松开电源开关(5)。如果开关被锁定了，请先按下开关后端，然后再松开开关。

### 工作提示

- ▶ 在电动工具上进行所有操作之前都必须从插座上拔出电源插头。
- ▶ 本电动工具不适合固定式应用。例如不允许夹在虎钳上或固定在工作台上。
- ▶ 操作时请戴上手套，而且要特别注意电线。经过切剪的金属板上会出现锋利的毛边。此利缘可能割伤您或割损电线。
- ▶ 请小心处理切屑。切屑的尖端非常锋利，容易被割伤。

开动电动工具后再把工具放在工件上加工。电动工具必须和金属板表面垂直。握好工具，勿让工具倾斜。

冲头向后移动期间完成切割。所以操作电动工具时必须施力均匀，并朝着切割方向轻轻推动。推动电动工具时如果用力过猛，不但会明显降低电动工具的使用寿命，而且还可能损坏电动工具。

如果在切割时轻微抬起电动工具，则电动工具可以更安静地工作。切剪时如果冲头被夹住了，先关闭电动工具，在冲头上涂抹油脂并解除金属片上的张

力。千万不可以强行拔出冲头，这样会损坏冲头和模具。

### 金属板的最大切剪厚度

金属板的最大切剪厚度 $d_{\max}$ 取决于待加工材料的强度。

本电动工具能够切剪下列厚度的金属板：

物料	最大强度 (牛顿/平方毫米)	$d_{\max}$ (毫米)
钢	400	3.5
	600	2.4
	800	1.6
铝	200	4.0

### 润滑/冷却冲头

为延长冲头(10)的使用寿命，您需要使用带冷却功能的润滑剂（例如切割油）。

将润滑剂沿着计划好的切线涂覆在金属板表面。

长时间工作或高强度工作时（例如切割铝材），需定期将切割工具浸在装满润滑剂的容器中。

### 沿着切剪线或靠着模板切剪

沿着切剪线切剪时，您可以将压板(12)突出部分作为切割标记来使用。

如果沿着直尺移动电动工具，则直锯将变得更容易。

沿着模板推进电动工具可以切剪轮廓。

内部开孔时，需要预钻出直径为41毫米的孔。

## 维修和服务

### 维护和清洁

- ▶ 在电动工具上进行所有操作之前都必须从插座上拔出电源插头。
- ▶ 电动工具和通气孔必须随时保持清洁，以确保工作效率和工作安全。

如果必须更换连接线，务必把这项工作交给Bosch或者经授权的Bosch电动工具顾客服务执行，以避免危害机器的安全性能。

每运行三个小时需清洁和润滑冲头(10)、模具(14)和导引片(11)。

及时更换已经磨损的冲头、模具和导引片。使用锋利的工具才能提高切剪效果，并且可以保护电动工具。

### 更换模具

松开和拆下两个螺丝(9)。装入新的模具(14)，用螺丝将其牢牢拧紧。

不得修磨已经磨损的模具。

### 更换导引片

导引片(11)用于保护模具支架(15)。

如上所述拆下模具(14)，以更换导引片(11)。然后松开并拆下压板螺丝(13)。取下压板(12)和导引片。

装入新的导引片(11)。用螺丝(9)固定模具(14)，用螺丝(13)固定压板(12)。好好地拧紧所有螺丝。

### 更换冲头

将内六角扳手(4)装入冲头定位件(16)的螺丝头中。尽可能旋转冲头定位件，直至冲头定位件螺丝(7)准确地位于模具支架孔(8)的中间。将内六角扳手从冲头定位件中拆下。

按如上所述拆下模具(14)、压板(12)和导引片(11)。

松开冲头定位件螺丝(7)，将冲头(10)向下拧出。在新的或修磨好的冲头上涂抹油脂，从下端将其装到机器中。重新拧紧冲头固定件螺丝(7)。

按如上所述固定导引片(11)、压板(12)以及模具(14)。

### 修磨冲头

及时修磨（例如通过金刚石砂轮）多数可以避免冲头(10)折断。不允许修磨严重损坏的冲头。

冲头只允许修磨最大1毫米。只允许沿着剪切面，精准地与中轴呈90度进行研磨。

使用细的油石轻轻地研磨冲头切刃。

### 客户服务和应用咨询

本公司顾客服务处负责回答有关本公司产品的修理、维护和备件的问题。备件的展开图纸和信息也可查看：[www.bosch-pt.com](http://www.bosch-pt.com)

博世应用咨询团队乐于就我们的产品及其附件问题提供帮助。

询问和订购备件时，务必提供机器铭牌上标示的10位数字物品代码。

### 香港和澳门特别行政区

罗伯特博世有限公司  
香港北角英皇道625号，21楼  
客户服务热线：+852 2101 0235  
传真：+852 2590 9762  
电子邮件：[info@hk.bosch.com](mailto:info@hk.bosch.com)  
[www.bosch-pt.com.hk](http://www.bosch-pt.com.hk)

### 中国大陆

博世电动工具（中国）有限公司 中国 浙江省 杭州市  
滨江区 滨康路567号  
102/1F 服务中心  
邮政编码：310052  
电话：(0571)8887 5566 / 5588  
传真：(0571)8887 6688 x 5566# / 5588#  
电邮：[bsc.hz@cn.bosch.com](mailto:bsc.hz@cn.bosch.com)  
[www.bosch-pt.com.cn](http://www.bosch-pt.com.cn)

### 制造商地址：

Robert Bosch Power Tools GmbH  
罗伯特·博世电动工具有限公司  
70538 Stuttgart / GERMANY  
70538 斯图加特 / 德国

### 处理废弃物

必须以符合环保要求的方式回收再利用电动工具、附件和包装材料。



请勿将电动工具扔到生活垃圾中！

## 繁體中文

### 安全注意事項

#### 電動工具一般安全注意事項

**警告** 請詳讀工作臺及電動工具的所有安全警告與使用說明。若不遵照以下列出的指示，將可能導致電擊、著火和/或人員重傷。

保存所有警告和說明書以備查閱。

在所有警告中，「電動工具」此一名詞泛指：以市電驅動的（有線）電動工具或是以電池驅動的（無線）電動工具。

#### 工作場地的安全

- ▶ 保持工作場地清潔和明亮。混亂和黑暗的場地會引發事故。
- ▶ 不要在易爆環境，如有易燃液體、氣體或粉塵的環境下操作電動工具。電動工具產生的火花會點燃粉塵或氣體。
- ▶ 讓兒童和旁觀者離開後操作電動工具。注意力不集中會使您失去對工具的控制。

#### 電氣安全

- ▶ 電動工具插頭必須與插座相配。絕不能以任何方式改裝插頭。需接地的電動工具不能使用任何轉換插頭。未經改裝的插頭和相配的插座將減少電擊危險。
- ▶ 避免人體接觸接地表面，如管道、散熱片和冰箱。如果您身體接地會增加電擊危險。
- ▶ 不得將電動工具暴露在雨中或潮濕環境中。水進入電動工具將增加電擊危險。
- ▶ 不得濫用電線。絕不能用電線搬運、拉動電動工具或拔出其插頭。使電線遠離熱源、油、銳利邊緣或移動零件。受損或纏繞的軟線會增加電擊危險。
- ▶ 當在戶外使用電動工具時，使用適合戶外使用的延長線。適合戶外使用的軟線，將減少電擊危險。
- ▶ 如果在潮濕環境下操作電動工具是不可避免的，應使用剩餘電流動作保護器（RCD）。使用RCD可降低電擊危險。

#### 人身安全

- ▶ 保持警覺，當操作電動工具時關注所從事的操作並保持清醒。當您感到疲倦，或在有藥物、酒精或治療反應時，不要操作電動工具。在操作電動工具時瞬間的疏忽會導致嚴重人身傷害。

- ▶ 使用個人防護裝置。始終佩戴護目鏡。安全裝置，諸如適當條件下使用防塵面具、防滑安全鞋、安全帽、聽力防護等裝置能減少人身傷害。
- ▶ 防止意外起動。確保開關在連接電源和/或電池盒、拿起或搬運工具時處於關閉位置。手指放在已接通電源的開關上或開關處於接通時插入插頭可能會導致危險。
- ▶ 在電動工具接通之前，拿掉所有調節鑰匙或扳手。遺留在電動工具旋轉零件上的扳手或鑰匙會導致人身傷害。
- ▶ 手不要伸展得太長。時刻注意立足點和身體平衡。這樣在意外情況下能很好地控制電動工具。
- ▶ 著裝適當。不要穿寬鬆衣服或佩戴飾品。讓您的衣物及頭髮遠離運動部件。寬鬆衣服、佩戴或長髮可能會捲入運動部件中。
- ▶ 如果提供了與排屑、集塵設備連接用的裝置，要確保他們連接完好且使用得當。使用這些裝置可減少塵屑引起的危險。
- ▶ 切勿因經常使用工具所累積的熟練感而過度自信，輕忽工具的安全守則。任何一個魯莽的舉動都可能瞬間造成人員重傷。

#### 電動工具使用和注意事項

- ▶ 不要濫用電動工具，根據用途使用適當的電動工具。選用適當設計的電動工具會使您工作更有效、更安全。
- ▶ 如果開關不能開啟或關閉工具電源，則不能使用該電動工具。不能用開關來控制的電動工具是危險的且必須進行修理。
- ▶ 在進行任何調整、更換配件或貯存電動工具之前，必須從電源上拔掉插頭並/或取出電池盒。這種防護性措施將減少工具意外起動的危險。
- ▶ 將閒置不用的電動工具貯存在兒童所及範圍之外，並且不要讓不熟悉電動工具或對這些說明不瞭解的人操作電動工具。電動工具在未經培訓的用戶手中是危險的。
- ▶ 保養電動工具與配備。檢查運動件是否調整到位或卡住，檢查零件破損情況和影響電動工具運行的其他狀況。如有損壞，電動工具應在使用前修理好。許多事故由維護不良的電動工具引發。
- ▶ 保持切削刀具鋒利和清潔。保養良好的有鋒利切削刃的刀具不易卡住而且容易控制。
- ▶ 按照使用說明書，考慮作業條件和進行的作業來使用電動工具、配件和工具的刀頭等。將電動工具用於那些與其用途不符的操作可能會導致危險。
- ▶ 把手及握持區應保持乾燥、潔淨，且不得沾染任何油液或油脂。易滑脫的把手及握持區將無法讓您在發生意外狀況時安全地抓緊並控制工具。

#### 檢修

- ▶ 將您的電動工具送交專業維修人員，必須使用同樣的備件進行更換。這樣將確保所維修的電動工具的安全性。

#### 電衝剪的安全注意事項

- ▶ 本電動工具並不適用於以不移動的方式進行加工。不得將它夾入老虎鉗或固定在工作桌上。

- ▶ **工作期間請戴上防護手套並且請您特別留意電源線。**剪下來的鐵片有尖銳的鐵刺。這些鐵刺可能割傷您或割壞電線。
- ▶ **作業期間請用雙手牢牢握緊電動工具並保持穩固。**使用雙手才能夠更穩定地操作電動工具。

## 產品和功率描述



請詳讀所有安全注意事項和指示。如未遵守安全注意事項與指示，可能導致火災、人員遭受電擊及 / 或重傷。請留意操作說明書中最前面的圖示。

### 依規定使用機器

本電動工具適合剪切金屬板，剪切後工件不會變形。本機器可以剪切直線，挖孔以及進行弧形剪切。

### 插圖上的機件

機件的編號和電動工具詳解圖上的編號一致。

- (1) 手柄支架的固定螺栓
- (2) 手柄支架
- (3) 輔助手柄
- (4) 內六角扳手
- (5) 起停開關
- (6) 輔助手柄專用螺紋孔
- (7) 衝頭的固定螺栓
- (8) 模具支架上的開孔
- (9) 模具的固定螺栓
- (10) 衝頭
- (11) 導引片
- (12) 壓板
- (13) 壓板的固定螺栓
- (14) 模具
- (15) 模具支架
- (16) 衝頭位置調整開關

### 技術性數據

電衝剪	GNA 3,5	
產品機號		0 601 533 1..
額定輸入功率	W	620
輸出功率	W	340
無負載轉速 $n_0$	$\text{min}^{-1}$	1000
負載衝擊次數	$\text{min}^{-1}$	670
可剪切的 <sup>A)</sup> 最大金屬板厚度	mm	3.5
剪痕寬度	mm	6
最小曲線半徑	mm	70
重量符合 EPTA-Procedure 01:2014	kg	3.5

### 電衝剪

GNA 3,5

絕緣等級

A) 針對 400 N/mm<sup>2</sup> 的鋼板

本說明書提供的參數是以 230 伏特為依據，於低電壓地區，此數據有可能不同。

## 安裝

### 輔助手柄

您可選擇將輔助手柄 (3) 旋接在機殼的右邊或左邊螺紋孔 (6) 上。

搭配手柄支架 (2) 後，輔助手柄即可延長並隨意翻轉，以便採取一個穩固而不容易感到疲勞的工作姿勢。

輔助手柄若已裝上，那麼請您將它從螺紋孔 (6) 中旋出。您可利用螺栓 (1) 將手柄支架 (2) 鎖在機殼的右邊或左邊螺紋孔上，此時可固定成任意所需角度。根據您所選擇的是右邊或是左邊，將輔助手柄旋入至手柄支架的較窄端。

如果您是將手柄支架固定在機殼左側，則應注意：不得擋住起停開關 (5)。

## 操作

### 操作機器

- ▶ **請注意電源電壓！** 電源的電壓必須和電動工具銘牌上標示的電壓一致。標示為 230 V 的電動工具亦可接上 220 V 電源。

### 調整壓板

進行無震動作業時，必須將壓板 (12) 調整為目前的金屬板厚度。

握持電動工具時，請讓模具 (14) 平貼在待加工之金屬板的底部上。鬆開壓板上的螺栓 (13)。將壓板 (12) 推到金屬板上，但讓兩者仍保有一點間隙 (約 0.3 mm)。請注意：應要筆直推移壓板，切勿傾斜。將螺栓 (13) 重新旋緊。

### 啟動 / 關閉

若要啟動電動工具，請將起停開關 (5) 往前推，此時開關上會出現 I 符號。

若要固定起停開關 (5) 的位置，請同時按壓開關前段位置。

若要關閉電動工具，放開起停開關 (5) 即可。起停開關的位置若是已鎖定，請按一下該開關後段位置，然後放開。

### 作業注意事項

- ▶ **維修電動工具或換裝零、配件之前，務必從插座上拔出插頭。**
- ▶ **本電動工具並不適用於以不移動的方式進行加工。**不得將它夾入老虎鉗或固定在工作桌上。
- ▶ **工作期間請戴上防護手套並且請您特別留意電源線。**剪下來的鐵片有尖銳的鐵刺。這些鐵刺可能割傷您或割壞電線。

- ▶ **處理切屑時，請務必小心。**切屑的尖端非常鋒利，容易被割傷。

先啟動電動工具後再把它放置在工件上切割。握持本電動工具時，它始終應與金屬板表面保持垂直，請勿傾斜。

本機器是靠著衝頭向下移動來進行切剪的動作。所以操作機器時必須施力均勻，並朝著切割方向輕輕推動工具。操作機器時如果推力過猛會縮短鋸片的使用壽命，並且造成電動工具損壞。

若在剪切時將電動工具抬起來一點點，發出的加工噪音就會變小。剪切時如果衝頭被夾住了，請先關閉電動工具，然後在衝頭上塗抹潤滑油並且解開金屬板。千萬不可以強行拔出衝頭，這樣會損壞衝頭和模具。

#### 可剪切的<sup>最大金屬板厚度</sup>

可剪切的<sup>最大金屬板厚度</sup>  $d_{\max}$  需視欲加工之材料的強度而定。

本電動工具能夠夠剪切下列各種厚度的金屬板：

材料	最大強度 (N/mm <sup>2</sup> )	$d_{\max}$ (mm)
鋼材	400	3.5
	600	2.4
	800	1.6
鋁材	200	4.0

#### 潤滑 / 冷卻衝頭

若想延長衝頭 (10) 的使用壽命，您應在其上塗抹冷卻效果極佳的潤滑劑（比如切削油）。

請沿著金屬板上面預計的裁切線抹上潤滑劑。

長時間加工時或進行會磨蝕比例較高的作業時（比如剪切鋁材時），您應固定每隔一段時間將嵌件工具浸入裝有潤滑劑的容器內。

#### 沿著剪切線或靠著模板剪切

沿著剪切線進行加工時，壓板 (12) 上的定位凸塊可做為切割位置標記。

直線剪切比較容易，只要沿著剪切線推進電動工具便可。

沿著模板推進電動工具可以剪切特殊輪廓。

在材料中間進行挖孔時，必須先預鑽出一個直徑 41 mm 的孔洞。

## 維修和服務

### 維修和清潔

- ▶ **維修電動工具或換裝零、配件之前，務必從插座上拔出插頭。**
- ▶ **電動工具和通風口都必須保持清潔，這樣才能夠提高工作品質和安全性。**

如果必須更換連接線，請務必交由 **Bosch** 或者經授權的 **Bosch** 電動工具顧客服務執行，以避免危害機器的安全性能。

工作時數每達 3 小時後，請清潔衝頭 (10)、模具 (14) 和導引片 (11)，然後再為其上油。

請及時更換已經磨損的衝頭、模具和導引片。使用鋒利的工具才能確保良好的剪切效果，並且可以保護電動工具。

#### 更換模具

將兩個螺栓 (9) 鬆開後取下。裝入全新模具 (14) 然後再用原本的螺栓旋緊固定。

不可重新打磨已磨損的模具。

#### 更換導引片

導引片 (11) 是用來保護模具支架 (15)。

若要更換導引片 (11) 請按上述方式拆除模具 (14)。鬆開並取下壓板上的螺栓 (13)。取下壓板 (12) 和導引片。

裝入全新導引片 (11)。用螺栓 (9) 固定模具 (14)，用螺栓 (13) 固定壓板 (12)。確認旋緊所有螺栓。

#### 更換衝頭

將內六角扳手 (4) 插入衝頭位置調整開關 (16) 的螺栓頭。轉動衝頭位置調整開關，使衝頭的固定螺栓 (7) 正好位於模具支架上之接孔 (8) 的正中央。將內六角扳手從衝頭位置調整開關中拿開。

請按上述方式拆除模具 (14) 以及壓板 (12) 與導引片 (11)。

鬆開衝頭的固定螺栓 (7) 然後將衝頭 (10) 往下拔出。為新的或重新磨利的衝頭上油，從下面把衝頭裝入機內。重新旋緊衝頭的固定螺栓 (7)。

請按上述方式固定導引片 (11) 與壓板 (12) 以及模具 (14)。

#### 重新磨利衝頭

只要及時重新磨利（例如使用鑽石研磨砂輪）即可避免大部份的衝頭 (10) 斷裂情形。嚴重受損的衝頭不得重新打磨。

衝頭最多只能打磨 1 mm 的厚度。僅允許打磨切割平面並且要與中心線正好呈 90°。

使用細磨刀石輕輕地研磨衝頭的切刃。

### 顧客服務處和顧客諮詢中心

本公司顧客服務處負責回答有關本公司產品的維修、維護和備用零件的問題。以下的網頁中有分解圖和備用零件相關資料：[www.bosch-pt.com](http://www.bosch-pt.com)

如果對本公司產品及其配件有任何疑問，博世應用諮詢小組很樂意為您提供協助。

當您需要諮詢或訂購備用零件時，請務必提供本產品型號銘牌上 10 位數的產品機號。

#### 中國香港和澳門特別行政區

羅伯特·博世有限公司  
香港北角英皇道625號21樓  
客戶服務熱線：+852 2101 0235  
傳真：+852 2590 9762  
電子郵件：[info@hk.bosch.com](mailto:info@hk.bosch.com)  
[www.bosch-pt.com.hk](http://www.bosch-pt.com.hk)

#### 台灣

台灣羅伯特博世股份有限公司  
建國北路一段90號6樓  
台北市10491  
電話：(02) 7734 2588

傳真: (02) 2516 1176  
www.bosch-pt.com.tw

**製造商地址:**

Robert Bosch Power Tools GmbH  
羅伯特·博世電動工具有限公司  
70538 Stuttgart / GERMANY  
70538 斯圖加特/ 德國

**廢棄物處理**

必須以符合環保的方式, 回收再利用損壞的機器、配件和廢棄的包裝材料。



不可以把電動工具丟入一般的家庭垃圾中。

**한국어**

**안전 수칙**

**전동공구 일반 안전 수칙**

**⚠ 경고** 본 전동공구와 함께 제공된 모 든 안전경고, 지시사항, 그림 및 사양을 숙지하십시오. 다음의 지시 사항을 준수하지 않으면 감전, 화재, 또는 심각한 부상을 초래할 수 있습니다.

앞으로 참고할 수 있도록 이 안전수칙과 사용 설명서를 잘 보관하십시오.

다음에서 사용되는 "전동공구"라는 개념은 전원에 연결하여 사용하는 (전선이 있는) 전동 기기나 배터리를 사용하는 (전선이 없는) 전동 기기를 의미합니다.

**작업장 안전**

- ▶ **작업장을 항상 깨끗이 하고 조명을 밝게 하십시오.** 작업장 환경이 어수선하거나 어두우면 사고를 초래할 수 있습니다.
- ▶ **가연성 유체, 가스 또는 분진이 있어 폭발 위험이 있는 환경에서 전동공구를 사용하지 마십시오.** 전동공구는 분진이나 증기에 접화하는 스파크를 일으킬 수 있습니다.
- ▶ **전동공구를 사용할 때 구경꾼이나 어린이 혹은 다른 사람이 작업장에 접근하지 못하게 하십시오.** 다른 사람이 주의를 산만하게 하면 기기에 대한 통제력을 잃기 쉽습니다.

**전기에 관한 안전**

- ▶ **전동공구의 전원 플러그가 전원 콘센트에 잘 맞아야 합니다.** 플러그를 절대 변경시켜서는 안 됩니다. (접지된) 전동공구를 사용할 때 어댑터 플러그를 사용하지 마십시오. 변형되지 않은 플러그와 잘 맞는 콘센트를 사용하면 감전의 위험을 줄일 수 있습니다.

- ▶ **파이프 관, 라디에이터, 레인지, 냉장고와 같은 접지 표면에 몸이 닿지 않도록 하십시오.** 몸에 닿을 경우 감전될 위험이 높습니다.
- ▶ **전동공구를 비에 맞지 않게 하고 습기 있는 곳에 두지 마십시오.** 전동공구에 물이 들어가면 감전될 위험이 높습니다.
- ▶ **전원 코드를 잘못 사용하는 일이 없도록 하십시오.** 전원 코드를 잡고 전동공구를 운반해서는 안 되며, 콘센트에서 전원 플러그를 뽑을 때 전원 코드를 잡아 당겨서는 절대로 안 됩니다. 전원 코드가 열과 오일에 접촉하는 것을 피하고, 날카로운 모서리나 기기의 가동 부위에 닿지 않도록 주의 하십시오. 손상되거나 영긴 전원 코드는 감전을 유발할 수 있습니다.
- ▶ **실외에서 전동공구로 작업할 때는 실외용으로 적당한 연장 전원 코드만을 사용하십시오.** 실외용 연장 전원 코드를 사용하면 감전의 위험을 줄일 수 있습니다.
- ▶ **전동공구를 습기 찬 곳에서 사용해야 할 경우에는 누전 차단기를 사용하십시오.** 누전 차단기를 사용하면 감전 위험을 줄일 수 있습니다.

**사용자 안전**

- ▶ **신중하게 작업하며, 전동공구를 사용할 때 경솔하게 행동하지 마십시오.** 피로한 상태이거나 약물 복용 및 음주한 후에는 전동공구를 사용하지 마십시오. 전동공구를 사용할 때 잠이라도 주의가 산만해지면 중상을 입을 수 있습니다.
- ▶ **작업자 안전을 위한 장치를 사용하십시오.** 항상 보안경을 착용하십시오. 전동공구의 종류와 사용에 따라 먼지 보호 마스크, 미끄러지지 않는 안전화, 안전모 또는 귀마개 등의 안전한 복장을 하면 상해의 위험을 줄일 수 있습니다.
- ▶ **실수로 기기가 작동되지 않도록 주의하십시오.** 전동공구를 전원에 연결하거나 배터리를 끼우기 전에, 혹은 기기를 들거나 운반하기 전에, 전원 스위치가 꺼져 있는지 다시 확인하십시오. 전동공구를 운반할 때 전원 스위치에 손가락을 대거나 전원 스위치가 켜진 상태에서 전원을 연결하면 사고 위험이 높습니다.
- ▶ **전동공구를 사용하기 전에 조절하는 툴이나 키 등을 빼 놓으십시오.** 회전하는 부위에 있는 툴이나 키로 인해 상처를 입을 수 있습니다.
- ▶ **자신을 과신하지 마십시오.** 불안정한 자세를 피하고 항상 평형을 이룬 상태로 작업하십시오. 안정된 자세와 평형한 상태로 작업해야만이 의외의 상황에서도 전동공구를 안전하게 사용할 수 있습니다.
- ▶ **알맞은 작업복을 입으십시오.** 헐렁한 복장을 하거나 장신구를 착용하지 마십시오. 머리카락이 가동하는 기기 부위에 가까이 닿지 않도록 주의 하십시오. 헐렁한 복장, 장신구 혹은 긴 머리는 가동 부위에 말려 사고를 초래할 수 있습니다.
- ▶ **분진 추출장치나 수거장치의 조립이 가능한 경우, 이 장치가 연결되어 있는지, 제대로 작동이 되는지 확인하십시오.** 이러한 분진 추출장치를 사용하면 분진으로 인한 사고 위험을 줄일 수 있습니다.



- ▶ **툴을 자주 사용한다고 해서 안주하는 일이 없게 하고 공구의 안전 수칙을 무시하지 않도록 하십시오.** 부주의하게 취급하여 순간적으로 심각한 부상을 입을 수 있습니다.

**전동공구의 올바른 사용과 취급**

- ▶ 기기를 과부하 상태에서 사용하지 마십시오. 작업할 때 이에 적당한 전동공구를 사용하십시오. 알맞은 전동공구를 사용하면 지정된 성능 한도 내에서 더 효율적으로 안전하게 작업할 수 있습니다.
- ▶ 전원 스위치가 고장 난 전동공구를 사용하지 마십시오. 전원 스위치가 작동되지 않는 전동공구는 위험하므로, 반드시 수리를 해야 합니다.
- ▶ 전동공구를 조정하거나 액세서리 부품 교환 혹은 공구를 보관할 때, 항상 전원 콘센트에서 플러그를 미리 빼어 놓거나 배터리를 분리하십시오. 이러한 조치는 실수로 전동공구가 작동하게 되는 것을 예방합니다.
- ▶ 사용하지 않는 전동공구는 어린이 손이 닿지 않는 곳에 보관하고, 전동공구 사용에 익숙지 않거나 이 사용 설명서를 읽지 않은 사람은 기기를 사용해서는 안됩니다. 경험이 없는 사람이 전동공구를 사용하면 위험합니다.
- ▶ 전동공구 및 액세서리를 조심스럽게 관리하십시오. 가동 부위가 하자 없이 정상적인 기능을 하는지, 걸리는 부위가 있는지, 혹은 전동공구의 기능에 중요한 부품이 손상되지 않았는지 확인하십시오. 손상된 기기의 부품은 전동공구를 다시 사용하기 전에 반드시 수리를 맡기십시오. 제대로 관리하지 않은 전동공구의 경우 많은 사고를 유발합니다.
- ▶ 절단 공구를 날카롭고 깨끗하게 관리하십시오. 날카로운 절단면이 있고 잘 관리된 절단공구는 걸리는 경우가 드물고 조절하기도 쉽습니다.
- ▶ 전동공구, 액세서리, 장착하는 공구 등을 사용할 때, 이 지시 사항과 특별히 기종 별로 나와있는 사용 방법을 준수하십시오. 이때 작업 조건과 실시하려는 작업 내용을 고려하십시오. 원래 사용 분야가 아닌 다른 작업에 전동공구를 사용할 경우 위험한 상황을 초래할 수 있습니다.
- ▶ 손잡이 및 잡는 면을 건조하게 유지하고, 오일 및 그리스가 묻어 있지 않도록 깨끗하게 하십시오. 손잡이 또는 잡는 면이 미끄러우면 예상치 못한 상황에서 안전한 취급 및 제어가 어려워집니다.

**서비스**

- ▶ 전동공구 수리는 반드시 전문 인력에게 맡기고, 수리 정비 시 보쉬 순정 부품만을 사용하십시오. 그렇게 함으로써 기기의 안전성을 오래 유지할 수 있습니다.

**니블러용 안전수칙**

- ▶ 본 전동공구는 고정시켜 작업하는 용도로는 적합하지 않습니다. 예를 들어 바이스에 고정시키거나 작업 거치대에 고정시켜 사용할 수 없습니다.
- ▶ 작업할 때 보호 장갑을 착용하고 특히 전원 케이블에 주의하십시오. 절단하는 금속판에 날카로운

모서리가 생겨 여기에 다치거나 전원 케이블이 손상될 수 있습니다.

- ▶ **전동 공구를 양손으로 꼭 잡고 안전한 자세로 작업하십시오.** 전동공구를 양손으로 잡고 움직이면 더 안전합니다.

**제품 및 성능 설명**



**모든 안전 수칙과 지침을 숙지하십시오.** 다음의 안전 수칙과 지침을 준수하지 않으면 화재 위험이 있으며 감전 혹은 중상을 입을 수 있습니다.

사용 설명서 앞 부분에 제시된 그림을 확인하십시오.

**규정에 따른 사용**

본 전동공구는 자재 변형 없이 금속판을 절단하는 용도로 사용되며, 직선 및 급곡선 혹은 오래내기 작업을 하기에 적합합니다.

**제품의 주요 명칭**

제품의 주요 명칭에 표기되어 있는 번호는 기기 그림이 나와있는 면을 참고하십시오.

- (1) 손잡이 고정나사
- (2) 손잡이 연장부
- (3) 보조 손잡이
- (4) 육각키
- (5) 전원 스위치
- (6) 보조 손잡이용 나사산
- (7) 펀치 고정나사
- (8) 다이 고정쇠 홈
- (9) 다이 고정나사
- (10) 스템핑
- (11) 가이드 판
- (12) 다운 가이드 고정쇠
- (13) 다운 가이드 고정나사
- (14) 다이
- (15) 다이 고정쇠
- (16) 조절나사

**제품 사양**

니블러		GNA 3,5
제품 번호		0 601 533 1..
소비 전력	W	620
출력	W	340
공회전 스트로크 수 n <sub>0</sub>	min <sup>-1</sup>	1000
부하 시 스트로크 수	min <sup>-1</sup>	670
최대 절단 두께 <sup>A)</sup>	mm	3.5
절단 폭	mm	6
최소 반경	mm	70

<b>니들러</b>		<b>GNA 3,5</b>
EPTA-Procedure 01:2014에 따른중량	kg	3.5
보호 등급		□/

A) 강철판 400 N/mm<sup>2</sup>  
 자료는 정격 전압 [U] 230 V를 기준으로 한 것입니다. 전압이 다른 경우 및 국가별 사양에 따라 변동이 있을 수 있습니다.

## 조립

### 보조 손잡이

보조 손잡이 (3) 를 하우징의 좌측 또는 우측 중 한 곳을 택해 나사 홈 (6) 안에 고정시키십시오.

손잡이 연장부 (2) 를 이용해 보조 손잡이를 늘려 알맞게 절혀서 안전한 작업 자세를 취하십시오.

보조 손잡이가 이미 조립되어 있는 경우, 나사 부 (6) 에서 손잡이를 돌려 분리하십시오. 손잡이 연장부 (2) 를 고정나사 (1) 를 이용해 하우징의 좌측 또는 우측 중 한 곳을 택해 나사 홈 안에서 조이십시오. 보조 손잡이를 하우징의 좌측 또는 우측 중 한 곳을 택해 손잡이 연장부의 더 좁은 단부에 고정시키십시오.

손잡이 연장부를 하우징의 좌측에 고정시킨 경우, 전원 스위치 (5) 가 막히지 않도록 주의하십시오.

## 작동

### 기계 시동

▶ **전원의 전압에 유의하십시오! 공급되는 전원의 전압은 전동공구의 명판에 표기된 전압과 동일해야 합니다. 230 V 로 표시된 전동공구는 220 V 에서도 작동이 가능합니다.**

### 다운 가이드 고정쇠 조절

작업 시 진동이 발생하지 않도록 해당 금속판 두께에 맞춰 다운 가이드 고정쇠 (12) 를 조절해야 합니다.

전동공구를 잡을 때 다이 (14) 가 가공해야 할 금속판의 아랫면에 밀착되도록 하십시오. 다운 가이드 고정쇠에서 고정나사 (13) 를 푸십시오. 다운 가이드 고정쇠 (12) 를 (약 0.3 mm) 정도 유격을 두고 금속판 쪽으로 미십시오. 다운 가이드가 직선으로 밀리거나 기울어지지 않도록 유의하십시오. 고정나사 (13) 를 다시 조입니다.

### 전원 스위치 작동

전동공구를 **켜려면** 전원 스위치 (5) 를 앞쪽으로 밀어 I 위치에 오게 하십시오.

전원 스위치 (5) 를 **잠금 상태로 유지하려면** 전원 스위치 앞쪽을 누릅니다.

전동공구를 **끄려면** 전원 스위치 (5) 에서 손을 떼십시오. 전원 스위치가 잠긴 상태이면 스위치의 뒤쪽을 눌렀다가 손을 떼십시오.

## 사용 방법

▶ **전동공구를 보수 정비하기 전에 반드시 콘센트에서 전원 플러그를 빼십시오.**

▶ **본 전동공구는 고정시켜 작업하는 용도로는 적합하지 않습니다.** 예를 들어 바이스에 고정시키거나 작업 거치대에 고정시켜 사용할 수 없습니다.

▶ **작업할 때 보호 장갑을 착용하고 특히 전원 케이블에 주의하십시오.** 절단하는 금속판에 날카로운 모서리가 생겨 여기에 다치거나 전원 케이블이 손상될 수 있습니다.

▶ **절단 부스러기 취급 시 주의하십시오.** 금속 부스러기 끝이 날카롭기 때문에 다칠 수 있기 때문입니다.

전동공구는 스위치를 켜 상태에서만 작업물에 가까이 대십시오. 작업할 때 항상 전동공구를 강철판 표면에 수직이 되게 하여 유지하십시오.

펀치가 아래쪽으로 움직이는 동안 절단이 진행됩니다. 전동공구를 일정하게 가볍게 누르면서 절단 방향으로 움직입니다. 무리하게 밀면서 작업하면 날의 수명이 훨씬 짧아지며 전동공구를 손상시킬 수 있습니다.

절단 시 본 전동공구를 약간 들어 올리면 보다 더 조용하게 작동됩니다. 절단 작업 시 펀치가 걸리게 되면 전동공구의 스위치를 끄고 펀치를 원활한 후에 금속판을 빼내십시오. 무리하게 힘을 가하면 펀치와 다이가 손상될 수 있습니다.

### 절단 가능한 최대 금속판 두께

절단 가능한 최대 금속판 두께  $d_{max}$ 는 가공하는 소재의 강도에 따라 달라집니다.

전동공구로 다음 최대 강도까지의 금속판을 절단할 수 있습니다:

작업 소재	최대 강도 (N/mm <sup>2</sup> )	$d_{max}$ (mm)
철재	400	<b>3.5</b>
	600	<b>2.4</b>
	800	<b>1.6</b>
알루미늄	200	<b>4.0</b>

### 펀치 원활하기/냉각하기

펀치 (10) 의 수명을 늘리려면, 냉각 기능이 우수한 윤활제(예: 절삭유)를 사용해야 합니다.

금속판의 윗면에서 예정된 절단 라인에 따라 윤활제를 바르십시오.

장시간 작업하거나 마모가 심한 작업(예: 알루미늄 절단 작업)을 할 경우 정기적으로 커팅 헤드 부분을 윤활 용기에 담가 두는 것이 좋습니다.

### 절단 표시 또는 가이드를 사용한 절단 작업

절단 시 다운 가이드 고정쇠 (12) 의 코 부분은 절단선을 따라 절단할 때, 표시로 사용할 수 있습니다.

직선형 절단 작업을 할 때 전동공구를 그어진 선을 따라 움직이면 수월합니다.

곡선은 전동공구를 가이드 받침대를 따라 움직여 절단할 수 있습니다.

안쪽 절단 시에는 직경 41 mm의 구멍을 미리 뚫어 놓아야 합니다.

편치의 절단면은 고운 윤활석으로 가볍게 문질러 주십시오.

## 보수 정비 및 서비스

### 보수 정비 및 유지

- ▶ 전동공구를 보수 정비하기 전에 반드시 콘센트에서 전원 플러그를 빼십시오.
- ▶ 안전하고 올바른 작동을 위하여 전동공구와 전동공구의 통풍구를 항상 깨끗이 하십시오.

연결 코드를 교환해야 할 경우 안전을 기하기 위해 Bosch 또는 Bosch 지정 전동공구 서비스 센터에 맡겨야 합니다.

작동할 때 3 시간에 한 번씩 편치 (10), 다이 (14) 및 가이드 판 (11) 을 청소하고 오일을 바르십시오. 날카로운 공구를 사용해야 절단 결과가 좋고 전동공구를 보호할 수 있으므로 마모된 편치, 다이 및 가이드 판을 적시에 교환해 주어야 합니다.

### 다이 교환하기

두 고정나사 (9) 를 풀어 분리하십시오. 새 다이 (14) 를 끼우고 볼트로 잘 조여주십시오. 마모된 다이는 다시 연마하지 마십시오.

### 가이드 판 교환하기

가이드 판 (11) 은 다이 고정쇠 (15) 를 보호해 줍니다.

가이드 판 (11) 을 교환하려면 위에 설명된 대로 다이 (14) 를 제거하십시오. 다운 가이드 고정쇠에서 고정나사 (13) 를 풀어 분리하십시오. 다운 가이드 고정쇠 (12) 및 가이드 판을 분리하십시오.

새 가이드 판 (11) 을 끼우십시오. 다이 (14) 는 고정나사 (9) 를 이용해 고정시키고, 다운 가이드 고정쇠 (12) 는 고정나사 (13) 를 이용해 고정시키십시오. 모든 고정나사를 잘 조여줍니다.

### 편치 교환하기

육각키 (4) 를 조절나사 (16) 의 나사 헤드에 끼우십시오. 편치 고정나사 (7) 가 정확하게 다이 고정쇠 홈 (8) 의 중앙에 오도록 조절나사를 돌리십시오. 조절나사에서 육각키를 제거하십시오.

다이 (14) 및 다운 가이드 고정쇠 (12) 와 가이드 판 (11) 을 위에 설명된 대로 제거하십시오.

편치 고정나사 (7) 를 풀고, 편치 (10) 를 돌려 빼내십시오. 새로운 편치나 다시 연마한 편치에 윤활유를 잘 바르고 이것을 아래쪽에서 끼워 넣으십시오. 편치 고정나사 (7) 를 다시 조입니다.

가이드 판 (11) 및 다운 가이드 고정쇠 (12) 와 다이 (14) 를 위에 설명된 대로 고정시키십시오.

### 편치 연마하기

알맞은 시기에 (다이아몬드 연마기를 사용하여) 연마하면 편치 (10) 가 부러지는 것을 대부분 방지할 수 있습니다. 매우 심하게 훼손된 편치는 다시 연마하여 사용하지 마십시오.

편치는 최대 1 mm 연마하여 사용할 수 있습니다. 연마는 절단면과 중심축에서 정확히 90°로 진행해야 합니다.

### AS 센터 및 사용 문의

AS 센터에서는 귀하 제품의 수리 및 보수정비, 그리고 부품에 관한 문의를 받고 있습니다. 대체 부품에 관한 분해 조립도 및 정보는 인터넷에서도 찾아볼 수 있습니다 - [www.bosch-pt.com](http://www.bosch-pt.com)

보수 사용 문의 팀에서는 보수의 제품 및 해당 액세서리에 관한 질문에 기꺼이 답변 드릴 것입니다. 문의나 대체 부품 주문 시에는 반드시 제품 네임 플레이트에 있는 10자리의 부품번호를 알려 주십시오.

콜센터  
080-955-0909

### 처리

기기와 액세서리 및 포장 등은 환경 친화적인 방법으로 재생할 수 있도록 분류하십시오.



전동공구를 가정용 쓰레기로 처리하지 마십시오!

## ไทย

### คำเตือนเพื่อความปลอดภัย

#### คำเตือนเพื่อความปลอดภัยทั่วไปสำหรับเครื่องมือไฟฟ้า

#### คำเตือน อ่านคำเตือนเพื่อความปลอดภัย คำแนะนำ ภาพประกอบ และข้อมูล

#### จำเพาะทั้งหมดที่จัดส่งมาพร้อมกับเครื่องมือไฟฟ้า

การไม่ปฏิบัติตามคำแนะนำทั้งหมดที่ระบุไว้ด้านล่างนี้อาจทำให้ถูกไฟฟ้าดูด เกิดไฟไหม้ และ/หรือได้รับบาดเจ็บอย่างร้ายแรง

#### เก็บรักษาคำเตือนและคำสั่งทั้งหมดสำหรับเปิดอ่านในภายหลัง

คำว่า "เครื่องมือไฟฟ้า" ในคำเตือนหมายถึง เครื่องมือไฟฟ้าของท่านที่ทำงานด้วยพลังงานไฟฟ้าจากแหล่งจ่ายไฟหลัก (มีสายไฟฟ้า) และเครื่องมือไฟฟ้าที่ทำงานด้วยพลังงานไฟฟ้าจากแบตเตอรี่ (ไร้สาย)

#### ความปลอดภัยในสถานที่ทำงาน

#### ▶ รักษาสถานที่ทำงานให้สะอาดและมีไฟส่องสว่างดี

สถานที่ที่มีมืดหรือกรงรังนมาซึ่งอุบัติเหตุ

- ▶ **อย่าใช้เครื่องมือไฟฟ้าทำงานในสภาพบรรยากาศที่จุดติดไฟได้** เช่น ในที่มีมีของเหลวไวไฟ ก๊าซ หรือฝุ่น เมื่อใช้เครื่องมือไฟฟ้าจะเกิดประกายไฟซึ่งอาจจุดฝุ่นหรือไอให้ลุกเป็นไฟได้
- ▶ **ขณะใช้เครื่องมือไฟฟ้าทำงาน ต้องกันเด็กและผู้ยืนดูให้ออกห่าง**  
การหันเหความสนใจอาจทำให้ท่านขาดการควบคุมเครื่องมือได้

#### ความปลอดภัยเกี่ยวกับไฟฟ้า

- ▶ **ปลั๊กของเครื่องมือไฟฟ้าต้องเหมาะสมพอดีกับเต้าเสียบ** อย่าตัดแปลงปลั๊กไม่ว่าในลักษณะใดๆ อย่างเด็ดขาด อย่าใช้ปลั๊กพ่วงต่อใดๆ กับเครื่องมือไฟฟ้าที่มีสายดิน ปลั๊กที่ไม่ตัดแปลงและเต้าเสียบที่เข้ากันช่วยลดความเสี่ยงจากการถูกไฟฟ้าดูด
- ▶ **หลีกเลี่ยงอย่าให้ร่างกายสัมผัสกับพื้นผิวที่ต่อสายดินหรือลงกราวด์ไว้** เช่น ท่อ เครื่องทำความร้อน เตา และตู้เย็น จะเสี่ยงอันตรายจากการถูกไฟฟ้าดูดมากขึ้นหากกระแสไฟฟ้าวิ่งผ่านร่างกายของท่านลงดิน
- ▶ **อย่าให้เครื่องมือไฟฟ้าถูกฝนหรืออยู่ในสภาพเปียกชื้น** หากน้ำเข้าในเครื่องมือไฟฟ้า จะเพิ่มความเสี่ยงจากการถูกไฟฟ้าดูด
- ▶ **อย่าใช้สายไฟฟ้าในทางที่ผิด** อย่าใช้สายไฟฟ้าเพื่อยกตึง หรือถอดปลั๊กเครื่องมือไฟฟ้า ก็นสายไฟฟ้าออกห่างจากความร้อน น้ำมัน ขอบแหลมคม หรือชิ้นส่วนที่เคลื่อนที่ สายไฟฟ้าที่ชำรุดหรือพันกันยุ่งเพิ่มความเสี่ยงจากการถูกไฟฟ้าดูด
- ▶ **เมื่อใช้เครื่องมือไฟฟ้าทำงานกลางแจ้ง ให้ใช้สายไฟต่อที่เหมาะสมสำหรับการใช้งานกลางแจ้ง** การใช้สายไฟต่อที่เหมาะสมสำหรับงานกลางแจ้งช่วยลดอันตรายจากการถูกไฟฟ้าดูด
- ▶ **หากไม่สามารถหลีกเลี่ยงการใช้เครื่องมือไฟฟ้าทำงานในสถานที่เปียกชื้นได้ ให้ใช้สวิตช์ตัดวงจรเมื่อเกิดการรั่วไหลของไฟฟ้าจากสายดิน (RCD)** การใช้สวิตช์ตัดวงจรเมื่อเกิดการรั่วไหลของไฟฟ้าจากสายดินช่วยลดความเสี่ยงต่อการถูกไฟฟ้าดูด

#### ความปลอดภัยของบุคคล

- ▶ **ท่านต้องอยู่ในสภาพเตรียมพร้อม** ระมัดระวังในสิ่งที่ท่านกำลังทำอยู่ และมีสติขณะใช้เครื่องมือไฟฟ้าทำงาน อย่าใช้เครื่องมือไฟฟ้าขณะที่ท่านกำลังเหนื่อย หรืออยู่ภายใต้การครอบงำของฤทธิ์ของยาเสพติด แอลกอฮอล์ และยา เมื่อใช้เครื่องมือไฟฟ้าทำงาน

ในช่วงเวลาที่ท่านขาดความเอาใจใส่อาจทำให้บุคคลบาดเจ็บอย่างรุนแรงได้

- ▶ **ใช้อุปกรณ์ปกป้องร่างกาย สวมแว่นตาป้องกันเสมอ** อุปกรณ์ปกป้อง เช่น หน้ากากกันฝุ่น รองเท้ายกกันส้น หมวกแข็ง หรือประคบหูกันเสียงดังที่ไซตามความเหมาะสมกับสภาพการทำงาน จะลดการบาดเจ็บทางร่างกาย
- ▶ **ป้องกันการติดเครื่องโดยไม่ตั้งใจ** ตรวจสอบให้แน่ใจว่าสวิตช์อยู่ในตำแหน่งปิดก่อนเชื่อมต่อเข้ากับแหล่งจ่ายไฟ และ/หรือแบตเตอรี่แพ็ค ยกหรือถือเครื่องมือถือเครื่องโดยใช้นิ้วหัวที่สวิตช์ หรือเสียบปลั๊กไฟฟ้าขณะสวิตช์เปิดอยู่ อาจนำไปสู่อุบัติเหตุที่ร้ายแรงได้
- ▶ **นำเครื่องมือปรับแต่งหรือประแจปากตายออกก่อนเปิดสวิตช์เครื่องมือไฟฟ้า** เครื่องมือหรือประแจปากตายที่วางอยู่กับส่วนหนึ่งของเครื่องที่กำลังหมุนจะทำให้บุคคลบาดเจ็บได้
- ▶ **อย่าเอื้อมไกลเกินไป** ตั้งเท้าขึ้นที่มั่นคงและวางน้ำหนักให้สมดุลตลอดเวลา ในลักษณะนี้ท่านสามารถควบคุมเครื่องมือไฟฟ้าในสถานการณ์ที่ไม่คาดคิดได้ดีกว่า
- ▶ **แต่งกายอย่างเหมาะสม** อย่าใส่เสื้อผ้าหลวมหรือสวมเครื่องประดับ อาหามและเสื้อหาคอห่างจากชิ้นส่วนที่เคลื่อนที่ เสื้อผ้าหลวม เครื่องประดับ และผมยาวอาจเข้าไปติดในชิ้นส่วนที่เคลื่อนที่
- ▶ **หากเครื่องมือไฟฟ้ามีข้อเชื่อมต่อกับเครื่องดูดฝุ่นหรือเครื่องเก็บผง ให้ตรวจสอบให้แน่ใจว่าได้เชื่อมต่อและใช้งานอย่างถูกต้อง** การใช้อุปกรณ์ดูดฝุ่นช่วยลดอันตรายที่เกิดจากฝุ่นได้
- ▶ **เมื่อใช้งานเครื่องบ่อยครั้งจะเกิดความคุ้นเคย** อย่าให้ความคุ้นเคยทำให้ท่านเกิดความชะล่าใจและละเลยกฎเกณฑ์ด้านความปลอดภัยในการใช้งานเครื่อง การทำงานอย่างไม่ระมัดระวังอาจทำให้เกิดการบาดเจ็บอย่างร้ายแรงภายในเสี้ยววินาที

#### การใช้และการดูแลรักษาเครื่องมือไฟฟ้า

- ▶ **อย่างฝืนกำลังเครื่องมือไฟฟ้า** ใช้เครื่องมือไฟฟ้าที่ถูกต้องตรงตามลักษณะงานของท่าน เครื่องมือไฟฟ้าที่ถูกต้องจะทำงานได้ดีกว่าและปลอดภัยกว่าในระดับสมรรถภาพที่ออกแบบไว้
- ▶ **อย่าใช้เครื่องมือไฟฟ้าถ้าสวิตช์ไม่สามารถเปิดปิดได้** เครื่องมือไฟฟ้าที่ไม่สามารถควบคุมการเปิดปิดด้วยสวิตช์ได้ เป็นเครื่องมือไฟฟ้าที่ไม่ปลอดภัยและต้องส่งซ่อมแซม
- ▶ **ก่อนปรับแต่งเครื่อง** เปลี่ยนอุปกรณ์ประกอบ หรือเก็บเครื่องเข้าที่ ต้องถอดปลั๊กออกจากแหล่งจ่ายไฟ และ/หรือถอดแบตเตอรี่แพ็คออกจากเครื่องมือไฟฟ้าหากถอดออกได้

มาตรการป้องกันเพื่อความปลอดภัยนี้ช่วยลดความเสี่ยงจากการติดเครื่องโดยไม่ตั้งใจ

- ▶ เมื่อเลิกใช้งานเครื่องมือไฟฟ้า ให้เก็บเครื่องไว้ในที่เด็กหยิบไม่ถึง และ ไม่นอนญาติให้บุคคลที่ไม่คุ้นเคยกับเครื่องหรือบุคคลที่ไม่ได้อ่านคำแนะนำเหล่านี้ใช้เครื่อง เครื่องมือไฟฟ้าเป็นของอันตรายหากตกอยู่ในมือของผู้ใช้ที่ไม่ได้รับการฝึกฝน
- ▶ บำรุงรักษาเครื่องมือไฟฟ้าและอุปกรณ์ประกอบ ตรวจสอบชิ้นส่วนที่เคลื่อนที่ว่าวางไม่ตรงแนวหรือติดขัดหรือไม่ ตรวจสอบการแตกหักของชิ้นส่วนและสภาพอื่นใดที่อาจมีผลต่อการทำงานของเครื่องมือไฟฟ้า หากชำรุดต้องส่งเครื่องมือไฟฟ้าไปซ่อมแซมก่อนใช้งาน อุบัติเหตุหลายอย่างเกิดขึ้นเนื่องจากดูแลรักษาเครื่องไม่ดีพอ
- ▶ รักษาเครื่องมือตัด ให้คมและสะอาด หากบำรุงรักษาเครื่องมือที่มีขอบตัดแหลมคมอย่างถูกต้อง จะสามารถตัดได้ลื่นไม่ติดขัดและควบคุมได้ง่ายกว่า
- ▶ ใช้เครื่องมือไฟฟ้า อุปกรณ์ประกอบ เครื่องมือ และอุปกรณ์อื่นๆ ตรงตามคำแนะนำเหล่านี้ โดยคำนึงถึงเงื่อนไขการทำงานและงานที่จะทำ การใช้เครื่องมือไฟฟ้าทำงานที่ต่างไปจากวัตถุประสงค์การใช้งานของเครื่อง อาจนำไปสู่สถานการณ์ที่เป็นอันตรายได้
- ▶ ดูแลด้ามจับและพื้นผิวจับให้แห้ง สะอาด และปราศจากคราบน้ำมันและจาระบี ด้ามจับและพื้นผิวจับที่ลื่นทำให้หยิบจับได้ไม่ปลอดภัย และไม่สามารถควบคุมเครื่องมือในสถานการณ์ที่ไม่คาดคิด

#### การบริการ

- ▶ ส่งเครื่องมือไฟฟ้าของท่านเข้ารับบริการจากช่างซ่อมที่มีคุณสมบัติเหมาะสม โดยใช้ชื่อและสถานที่เหมือนกันเท่านั้น ในลักษณะนี้ท่านจะแน่ใจได้ว่าเครื่องมือไฟฟ้าอยู่ในสภาพที่ปลอดภัย

#### คำเตือนเพื่อความปลอดภัยสำหรับกรรไกรไฟฟ้ากตตัด

- ▶ เครื่องมือไฟฟ้าไม่เหมาะสำหรับการทำงานแบบอยู่กับที่ ไม่ควรยึดเครื่อง ตัวอย่าง เช่น ไว้ในปากกาจับชิ้นงานหรือยึดไว้บนโต๊ะทำงาน
- ▶ สวมถุงมือป้องกันอันตรายขณะทำงานและระมัดระวังสายไฟหลักเป็นพิเศษ ตรงแผ่นโลหะที่ตัด ออกจะมีเลี่ยนแหลมคมที่อาจทำให้ท่านได้รับบาดเจ็บหรือทำให้สายไฟหลักชำรุด
- ▶ จับเครื่องมือไฟฟ้าให้แน่นด้วยมือทั้งสองข้างและตั้งขาขึ้นให้มั่นคงขณะทำงาน ท่านจะสามารถนำทางเครื่องมือไฟฟ้าได้ปลอดภัยกว่าเมื่อจับเครื่องด้วยมือทั้งสองข้าง

## รายละเอียดผลิตภัณฑ์และข้อมูล

### จำเพาะ



อ่านคำเตือนเพื่อความปลอดภัยและคำแนะนำทั้งหมด การไม่ปฏิบัติตามคำเตือนและคำสั่งอาจเป็นสาเหตุให้ถูกไฟฟ้าดูด เกิดไฟไหม้ และ/หรือได้รับบาดเจ็บอย่างร้ายแรง

กรุณาดูภาพประกอบในส่วนหน้าของคู่มือการใช้งาน

### ประโยชน์การใช้งานของเครื่อง

เครื่องนี้ใช้สำหรับตัดแผ่นโลหะโดยไม่ทำให้วัตถุเสียรูปและยังเหมาะสำหรับการตัดตรง ตัดออก และตัดโค้งแคบ

### ส่วนประกอบที่แสดงภาพ

ลำดับเลขของส่วนประกอบผลิตภัณฑ์อ้างอิงถึงส่วนประกอบของเครื่องที่แสดงในหน้าภาพประกอบ

- (1) สกรูยึดส่วนขยาย
- (2) ส่วนขยายด้ามจับ
- (3) ด้ามจับเพิ่ม
- (4) ประแจขันทกเหลี่ยม
- (5) สวิทช์เปิด-ปิด
- (6) รูเกลียวสำหรับด้ามจับเพิ่ม
- (7) สกรูสำหรับยึดหัวดอกเจาะ
- (8) รูเจาะที่ตัวยึดแม่พิมพ์ดอกโลหะ
- (9) สกรูสำหรับแม่พิมพ์ดอกโลหะ
- (10) ตัวดอก
- (11) แผ่นโลหะนำ
- (12) ตัวกดลง
- (13) สกรูสำหรับตัวกดลง
- (14) แม่พิมพ์ดอกโลหะ
- (15) ตัวยึดแม่พิมพ์ดอกโลหะ
- (16) สกรูปรับหัวดอกเจาะ

### ข้อมูลทางเทคนิค

กรรไกรไฟฟ้ากตตัด		GNA 3,5
หมายเลขสินค้า		0 601 533 1..
กำลังไฟฟ้าที่กัตตันเข้า	วัตต์	620
กำลังไฟฟ้าดันออก	วัตต์	340
อัตราขยับชักเดินตัวเปล่า $n_0$	$\text{min}^{-1}$	1000

กรรไกรไฟฟ้าคัตตัด		GNA 3,5
ความเร็วรอบขณะใช้งาน	min <sup>-1</sup>	670
ความหนาของแผ่นโลหะสูงสุดที่จะนำมาตัด <sup>A)</sup>	มม.	3.5
ความกว้างการตัด	มม.	6
รัศมีความโค้งขนาดเล็กสุด	มม.	70
น้ำหนักตามระเบียบการ EPTA-Procedure 01:2014	กก.	3.5
ระดับความปลอดภัย		

A) อ้างอิงจากแผ่นเหล็กกล้าถึง 400 N/mm<sup>2</sup>

ค่าที่ให้นี้ใช้ได้กับแรงดันไฟฟ้าอิมินอล [U] 230 โวลท์ค่าเหล่านี้ อาจเปลี่ยนแปลงไปสำหรับแรงดันไฟฟ้าที่แตกต่างกัน และโมเดลที่ผลิตสำหรับเฉพาะประเทศ

## การติดตั้ง

### ด้ามจับเพิ่ม

ขันด้ามจับเสริม (3) เข้าในเกลียว (6) ที่ด้านซ้ายหรือขวาของตัวเรือน

การใช้ที่ยึดด้ามจับ (2) จะทำให้ด้ามจับเสริมยาวขึ้นและขยับไปมาได้ เพื่อให้ได้ตำแหน่งการทำงานที่มั่นคงและไม่เหนียวล้า

หากมีการติดตั้งด้ามจับเสริมอยู่แล้ว ให้ขันออกจากเกลียว (6) ชั้นที่ยึดด้ามจับ (2) ให้แน่นด้วยสกรู (1) เข้าในเกลียวในมุมที่ต้องการที่ด้านขวาหรือซ้ายของตัวเรือน ชั้นด้ามจับเสริมเข้าในล้นปลายของที่ยึดด้ามจับด้านขวาหรือซ้ายตามความเหมาะสม

หากท่านยึดที่ยึดด้ามจับที่ด้านซ้ายของตัวเรือน จะต้องระวังไม่ให้สวิตช์เปิด/ปิด (5) ถูกบดบัง

## การปฏิบัติงาน

### การเริ่มต้นปฏิบัติงาน

#### ▶ ให้สังเกตแรงดันไฟฟ้า! ระวัง

ต้นไฟฟ้าจากแหล่งจ่ายไฟฟ้าต้องมีค่าตรงกับค่าแรงดันไฟฟ้าที่ระบุไว้บนแผ่นป้ายพิกัดเครื่อง เครื่องมือไฟฟ้าที่มีเครื่องหมาย 230 โวลท์ สามารถใช้งานกับ 220 โวลท์ ได้ด้วย

### การปรับตัวคลง

เพื่อการทำงานที่ปราศจากการสั่นสะเทือน ท่านจะต้องตั้งค่าอุปกรณ์กดให้ต่ำ (12) ตามความหนาของแผ่นโลหะที่เกี่ยวข้อง

ถือเครื่องมือไฟฟ้าให้แม่พิมพ์ (14) อยู่ที่ด้านล่างของแผ่นโลหะที่จะดำเนินการ คลายสกรู (13) ที่อุปกรณ์กดให้ต่ำ เลื่อนอุปกรณ์กดให้ต่ำ (12) ไปบนแผ่นโลหะโดยให้มีที่ว่างเล็กน้อย (ประมาณ 0.3 มม.) คอยระวังให้อุปกรณ์กดให้ต่ำเลื่อนตรงๆ และไม่เอียง ชั้นสกรู (13) ให้แน่นอีกครั้ง

### การเปิด-ปิดเครื่อง

เมื่อต้องการ เปิดสวิตช์ เครื่องมือไฟฟ้า ให้เลื่อนสวิตช์เปิด/ปิด (5) ไปด้านหน้าเพื่อให้ ปุ่มควบคุมสวิตช์

เมื่อต้องการ ล็อก สวิตช์เปิด/ปิด (5) ให้กดที่สวิตช์ด้านหลังหน้าเพิ่มเติม

ปิดสวิตช์ เครื่องมือไฟฟ้าโดยปล่อยนิ้วจากสวิตช์เปิด/ปิด (5) หากมีการล็อกสวิตช์เปิด/ปิดอยู่ ให้กดที่ด้านหลังสวิตช์ แล้วจึงปล่อย

### ข้อแนะนำในการทำงาน

- ▶ ดึงปลั๊กไฟออกจากเต้าเสียบก่อนปรับแต่งเครื่อง
  - ▶ เครื่องมือไฟฟ้าไม่เหมาะสำหรับการทำงานแบบอยู่กับที่ ไม่ควรยึดเครื่อง ตัวอย่าง เช่น ไขวุ่นปากกาจับชิ้นงานหรือยึดไว้บนโต๊ะทำงาน
  - ▶ สวมถุงมือป้องกันอันตรายขณะทำงานและระมัดระวังสายไฟหลักเป็นพิเศษ ตรงแผ่นโลหะที่ตัดออกจะมีเส้นแหลมคมที่อาจทำให้ท่านได้รับบาดเจ็บหรือทำให้สายไฟหลักชำรุด
  - ▶ ข้อควรระวังในการจัดการเศษตัด เศษตัดมีปลายแหลมคมที่อาจทำให้บาดเจ็บได้
- จับเครื่องเข้าทำงานเมื่อเครื่องเปิดทำงานอยู่เท่านั้น ให้ถือเครื่องมือไฟฟ้าตั้งฉากกับพื้นผิวของแผ่นโลหะเสมอ และห้ามเอียง

การตัดจะเกิดขึ้นขณะที่หัวดอกเจาะเคลื่อนที่ลงด้านล่าง เคลื่อนเครื่องอย่างสม่ำเสมอและบ่อนเบาๆ ไปในทิศทางตัด การเคลื่อนเครื่องไปข้างหน้าเกินกำลังจะบั่นทอนอายุการใช้งานของเครื่องมือตัดและอาจทำให้เครื่องมือไฟฟ้าชำรุดได้ เครื่องมือไฟฟ้าจะทำงานนิ่งขึ้นหากมีการยกขึ้นเล็กน้อยขณะตัด หากหัวดอกเจาะจะติดขัดขณะทำการตัด ให้ปิดเครื่องมือไฟฟ้า หยอดน้ำมันหล่อลื่นหัวดอกเจาะและคลายความตึงแผ่นโลหะ กรุณาอย่าใช้กำลัง มีฉะนั้นหัวดอกเจาะและแม่พิมพ์ อาจเสียหายได้

### ความสามารถสูงสุดในการตัดแผ่นเหล็ก

ความหนาสูงสุดของแผ่นโลหะที่จะทำการตัด  $d_{max}$  จะขึ้นอยู่กับความแข็งแรงของวัสดุที่จะจัดการ

เครื่องนี้สามารถตัดแผ่นโลหะถึงความหนาต่อไปนี้:

วัสดุ	ความแข็งแรงสูงสุด (N/mm <sup>2</sup> )	d <sub>max</sub> (มม.)
เหล็กกล้า	400	3.5
	600	2.4
	800	1.6
อะลูมิเนียม	200	4.0

**การโลมน้ำมันหล่อลื่น/การระบายความร้อนหัวดอกเจาะ**  
เพื่อยืดอายุการใช้งานของหัวดอกเจาะ (10) ท่านควรใช้น้ำมันหล่อลื่นที่ทำหน้าที่ระบายความร้อนได้ดี (เช่น น้ำมันตัดกลึง)

ทาน้ำมันหล่อลื่นที่ด้านบนของแผ่นตามแนวตัดที่วางไว้ในการทำงานที่ยาวนานหรือการทำงานที่มีการเสียดสีสูง (เช่น การตัดอะลูมิเนียม) ท่านควรจะจุ่มเครื่องมือจ่ายในถังน้ำมันหล่อลื่นเป็นรอบๆ อย่างสม่ำเสมอ

**การตัดตามรอยเครื่องหมายหรือโดยใช้แผ่นแม่แบบ**  
สามารถใช้ทุกที่ที่อุปกรณ์กัดให้ต่ำ (12) เป็นเครื่องหมายการตัดขณะตัดได้หลังจากเกิดรอยแตก การตัดตรงทำได้ง่ายขึ้นเมื่อจับเครื่องเทียบไปตามโมบรรัต สามารถตัดเคาโครงได้ด้วยการเดินเครื่องมือไฟฟ้าตามแนวแม่แบบ

สำหรับการตัดด้านใน จะต้องมีการเจาะรูที่มีเส้นผ่านศูนย์กลาง 41 มม.

## การบำรุงรักษาและการบริการ

### การบำรุงรักษาและการทำความสะอาด

- ▶ **ดึงปลั๊กไฟออกจากเต้าเสียบก่อนปรับแต่งเครื่อง**
- ▶ **เพื่อให้ทำงานได้อย่างถูกต้องและปลอดภัย ต้องรักษาเครื่องและช่องระบายอากาศให้สะอาดอยู่เสมอ**

หากจำเป็นต้องเปลี่ยนสายไฟฟ้า ต้องส่งเครื่องให้ Bosch หรือศูนย์บริการหลังการขายที่ได้รับมอบหมายสำหรับเครื่องมือไฟฟ้า Bosch เปลี่ยนให้ ทั้งนี้เพื่อหลีกเลี่ยงอันตราย

ทำความสะอาดและทาน้ำมันหล่อลื่นที่หัวดอกเจาะ (10), แม่พิมพ์ (14) และแผ่นนำ (11) ทุกๆ 3 ชั่วโมงการปฏิบัติการ เปลี่ยนหัวดอกเจาะ แม่พิมพ์และแผ่นนำทันทีที่สึกหรือ เพราะเฉพาะเครื่องมือที่คมเท่านั้นที่จะช่วยให้มีประสิทธิภาพการตัดที่ดีและช่วยรักษาเครื่องมือไฟฟ้า

### การเปลี่ยนแม่พิมพ์ดอกโลหะ

คลายและถอดสลกรูทั้งสอง (9) ใส่แม่พิมพ์ (14) อันใหม่และขันให้แน่นด้วยสลกรู

ห้ามนำแม่พิมพ์ดอกโลหะที่เสื่อมสภาพไปลับคม

### การเปลี่ยนแผ่นโลหะนำ

แผ่นนำ (11) จะทำหน้าที่ป้องกันที่ยึดแม่พิมพ์ (15) หากต้องการเปลี่ยนแผ่นนำ (11) ให้ถอดแม่พิมพ์ (14) ออกตามที่อธิบายไว้ด้านบน หลังจากนั้นให้คลายและถอดสลกรู (13) ที่อุปกรณ์กัดให้ต่ำ ถอดอุปกรณ์กัดให้ต่ำ (12) และแผ่นนำออก

ใส่แผ่นนำ (11) อันใหม่ ยึดแม่พิมพ์ (14) ด้วยสลกรู (9) และยึดอุปกรณ์กัดให้ต่ำ (12) ด้วยสลกรู (13) ขันสลกรูทั้งหมดให้แน่น

### การเปลี่ยนหัวดอกเจาะ

ใส่ประแจหกเหลี่ยม (4) เข้าในหัวสลกรูของที่ปรับตำแหน่งหัวดอกเจาะ (16) หมุนที่ปรับตำแหน่งหัวดอกเจาะไปจนสลกรู (7) ของที่ปรับตำแหน่งหัวดอกเจาะอยู่พอดีตรงกลางสลกรู (8) ที่ตัวยึดแม่พิมพ์ ถอดประแจหกเหลี่ยมออกจากที่ปรับตำแหน่งหัวดอกเจาะ

ถอดแม่พิมพ์ (14) รวมถึงอุปกรณ์กัดให้ต่ำ (12) และแผ่นนำ (11) ออกตามที่อธิบายไว้ด้านบน

คลายสลกรู (7) ของที่ยึดหัวดอกเจาะและถอดหัวดอกเจาะ (10) ออกทางด้านล่าง ทาน้ำมันหล่อลื่นหัวดอกเจาะอันใหม่หรืออันที่เจียมาใหม่และใส่กลับเข้าทางด้านล่าง ขันสลกรู (7) ของที่ยึดหัวดอกเจาะให้แน่นอีกครั้ง

ยึดแผ่นนำ (11) และอุปกรณ์กัดให้ต่ำ (12) รวมถึงแม่พิมพ์ (14) ตามที่อธิบายไว้ด้านบน

### การลับคมหัวดอกเจาะ

การเจียเข้าเมื่อถึงเวลา (เช่น การใช้เครื่องเจียเพชร) จะช่วยป้องกันการขัดข้องของหัวดอกเจาะ (10) เป็นส่วนใหญ่ หัวดอกเจาะที่ชำรุดมากๆ ไม่สามารถนำมาลับคมได้ สามารถเจียหัวดอกเจาะได้มากที่สุด 1 มม. สามารถทำการเจียได้เฉพาะที่บริเวณตัดและ 90° จากแกนกลางเท่านั้น ลับคมขอบตัดของหัวดอกเจาะสักเล็กน้อยด้วยหินลับมีดชนิดละเอียด

### การบริการหลังการขายและการให้คำปรึกษาการใช้งาน

ศูนย์บริการหลังการขายของเรายินดีตอบคำถามของท่านที่เกี่ยวกับการบำรุงรักษาและการซ่อมแซมผลิตภัณฑ์รวมทั้งเรื่องอะไหล่ ภาพเขียนแบบการประกอบและข้อมูลเกี่ยวกับอะไหล่ กรุณาดูใน: [www.bosch-pt.com](http://www.bosch-pt.com) ทีมงานที่ปรึกษาของ บอช ยินดีให้ข้อมูลเกี่ยวกับผลิตภัณฑ์ของเราและอุปกรณ์ประกอบต่างๆ

เมื่อต้องการสอบถามและสั่งซื้ออะไหล่ กรุณาแจ้งหมายเลขสินค้า 10 หลักบนแผ่นป้ายรุ่นของผลิตภัณฑ์ทุกครั้ง

**ไทย**

ไทย บริษัท โรเบิร์ต บอช จำกัด  
 เอฟวายโอ เซ็นเตอร์ อาคาร 1 ชั้น 5  
 เลขที่ 2525 ถนนพระราม 4  
 แขวงคลองเตย เขตคลองเตย กรุงเทพฯ 10110  
 โทร: +66 2012 8888  
 แฟกซ์: +66 2064 5800  
 www.bosch.co.th  
 ศูนย์บริการซ่อมและฝึกอบรม บอช  
 อาคาร ลาซาลทาวเวอร์ ชั้น G ห้องเลขที่ 2  
 บ้านเลขที่ 10/11 หมู่ 16  
 ถนนศรีนครินทร์ ตำบลบางแก้ว อำเภอบางพลี  
 จังหวัดสมุทรปราการ 10540  
 ประเทศไทย  
 โทรศัพท์ 02 7587555  
 โทรสาร 02 7587525

**การกำจัดขยะ**

เครื่องมือไฟฟ้า อุปกรณ์ประกอบ และหีบห่อ ต้องนำไปแยกประเภทวัสดุเพื่อการรีไซเคิลที่เป็นมิตรต่อสิ่งแวดล้อม



อย่าทิ้งเครื่องมือไฟฟ้าลงในขยะครัวเรือน!

**adanya cairan, gas, atau debu yang mudah terbakar.**

Perkakas listrik dapat memancarkan bunga api yang kemudian mengakibatkan debu atau uap terbakar.

- ▶ **Jauhkan dari jangkauan anak-anak dan pengamat saat mengoperasikan perkakas listrik.** Gangguan dapat menyebabkan hilangnya kendali.

**Keamanan listrik**

- ▶ **Steker perkakas listrik harus sesuai dengan stopkontak. Jangan pernah memodifikasi steker. Jangan menggunakan steker adaptor bersama dengan perkakas listrik yang terhubung dengan sistem grounding.** Steker yang tidak dimodifikasi dan stopkontak yang cocok akan mengurangi risiko sengatan listrik.
- ▶ **Hindari kontak badan dengan permukaan yang terhubung dengan sistem grounding, seperti pipa, radiator, kompor, dan lemari es.** Terdapat peningkatan risiko terjadinya sengatan listrik jika badan Anda terhubung dengan sistem grounding.
- ▶ **Perkakas listrik tidak boleh terpapar hujan atau basah.** Air yang masuk ke dalam perkakas listrik menambah risiko terjadinya sengatan listrik.
- ▶ **Jangan menyalahgunakan kabel. Jangan gunakan kabel untuk membawa, menarik, atau melepas steker perkakas listrik. Jauhkan kabel dari panas, minyak, tepi yang tajam, atau komponen yang bergerak.** Kabel listrik yang rusak atau tersangkut menambah risiko terjadinya sengatan listrik.
- ▶ **Saat mengoperasikan perkakas listrik di luar ruangan, gunakan kabel ekstensi yang sesuai untuk penggunaan di luar ruangan.** Penggunaan kabel yang cocok untuk pemakaian di luar ruangan mengurangi risiko terjadinya sengatan listrik.
- ▶ **Jika perkakas listrik memang harus dioperasikan di tempat yang lembap, gunakan pemutus arus listrik residu (RCD).** Penggunaan RCD akan mengurangi risiko terjadinya sengatan listrik.

**Keselamatan personel**

- ▶ **Tetap waspada, perhatikan aktivitas yang sedang dikerjakan dan gunakan akal sehat saat mengoperasikan perkakas listrik. Jangan gunakan perkakas listrik saat mengalami kelelahan atau di bawah pengaruh narkoba, alkohol, atau obat-obatan.** Jika perkakas listrik dioperasikan dengan daya konsentrasi yang rendah, hal tersebut dapat menyebabkan cedera serius.
- ▶ **Gunakan peralatan pelindung diri. Selalu kenakan pelindung mata.** Penggunaan perlengkapan pelindung seperti penutup telinga, helm, sepatu anti licin, dan masker debu akan mengurangi cedera.
- ▶ **Hindari start yang tidak disengaja. Pastikan switch berada di posisi off sebelum perkakas listrik dihubungkan ke sumber daya listrik dan/atau baterai, diangkat, atau dibawa.** Membawa perkakas listrik dengan jari menempel pada tombol atau perkakas listrik dalam keadaan hidup dapat memicu kecelakaan.

**Bahasa Indonesia****Petunjuk Keselamatan****Petunjuk keselamatan umum untuk perkakas listrik****⚠ PERINGATAN** Baca semua peringatan, petunjuk, ilustrasi, dan spesifikasi

keselamatan yang diberikan bersama perkakas listrik ini. Kesalahan dalam menjalankan petunjuk di bawah ini dapat mengakibatkan sengatan listrik, kebakaran, dan/atau cedera serius.

**Simpanlah semua peringatan dan petunjuk untuk penggunaan di masa mendatang.**

Istilah "perkakas listrik" dalam peringatan mengacu pada perkakas listrik yang dioperasikan dengan listrik (menggunakan kabel) atau perkakas listrik yang dioperasikan dengan baterai (tanpa kabel).

**Keamanan tempat kerja**

- ▶ **Jaga kebersihan dan pencahayaan area kerja.** Area yang berantakan atau gelap dapat memicu kecelakaan.
- ▶ **Jangan mengoperasikan perkakas listrik di lingkungan yang dapat memicu ledakan, seperti**



- ▶ **Singkirkan kunci penyetel atau kunci pas sebelum menghidupkan perkakas listrik.** Perkakas atau kunci pas yang masih menempel pada komponen perkakas listrik yang berputar dapat menyebabkan cedera.
- ▶ **Jangan melampaui batas. Berdirilah secara mantap dan selalu jaga keseimbangan.** Hal ini akan memberikan kontrol yang lebih baik terhadap perkakas listrik pada situasi yang tak terduga.
- ▶ **Kenakan pakaian dengan wajar. Jangan mengenakan perhiasan atau pakaian yang longgar. Jauhkan rambut dan pakaian dari komponen yang bergerak.** Pakaian yang longgar, rambut panjang, atau perhiasan dapat tersangkut dalam komponen yang bergerak.
- ▶ **Jika disediakan perangkat untuk sambungan pengisapan debu dan alat pengumpulan, pastikan perangkat tersebut terhubung dan digunakan dengan benar.** Penggunaan alat pengumpulan dapat mengurangi bahaya yang disebabkan oleh debu.
- ▶ **Jangan berpuas diri dan mengabaikan prinsip keselamatan karena terbiasa mengoperasikan perkakas.** Tindakan yang kurang hati-hati dapat mengakibatkan cedera serius dalam waktu sepersekian detik.

#### Penggunaan dan pemeliharaan perkakas listrik

- ▶ **Jangan memaksakan perkakas listrik. Gunakan perkakas listrik yang sesuai untuk pekerjaan yang dilakukan.** Perkakas listrik yang sesuai akan bekerja dengan lebih baik dan aman sesuai tujuan penggunaan.
- ▶ **Jangan gunakan perkakas listrik dengan switch yang tidak dapat dioperasikan.** Perkakas listrik yang switchnya yang tidak berfungsi dapat menimbulkan bahaya dan harus diperbaiki.
- ▶ **Lepaskan steker dari sumber listrik dan/atau lepas baterai, jika dapat dilepaskan dari perkakas listrik sebelum menyetel, mengganti aksesori, atau menyimpan perkakas listrik.** Tindakan preventif akan mengurangi risiko menghidupkan perkakas listrik secara tidak disengaja.
- ▶ **Jauhkan dan simpan perkakas listrik dari jangkauan anak-anak dan jangan biarkan orang-orang yang tidak mengetahui cara menggunakan perkakas listrik, mengoperasikan perkakas listrik.** Perkakas listrik dapat membahayakan jika digunakan oleh orang-orang yang tidak terlatih.
- ▶ **Lakukan pemeliharaan perkakas listrik dan aksesori. Periksa komponen yang bergerak apabila tidak lurus atau terikat, kerusakan komponen, dan kondisi lain yang dapat mengganggu pengoperasian perkakas listrik. Apabila rusak, perbaiki perkakas listrik sebelum digunakan.** Kecelakaan sering terjadi karena perkakas listrik tidak dirawat dengan baik.
- ▶ **Jaga ketajaman dan kebersihan alat.** Alat pemotong dengan pisau pemotong yang tajam dan dirawat dengan baik tidak akan mudah tersangkut dan lebih mudah dikendalikan.

- ▶ **Gunakan perkakas listrik, aksesori, dan komponen perkakas dll sesuai dengan petunjuk ini, dengan mempertimbangkan kondisi kerja dan pekerjaan yang akan dilakukan.** Penggunaan perkakas listrik untuk tujuan berbeda dari fungsinya dapat menyebabkan situasi yang berbahaya.
- ▶ **Jaga gagang dan permukaan genggam agar tetap kering, bersih, dan bebas dari minyak dan lemak.** Gagang dan permukaan genggam yang licin tidak menjamin keamanan kerja dan kontrol alat yang baik pada situasi yang tidak terduga.

#### Servis

- ▶ **Minta teknisi berkualifikasi untuk menyervis perkakas listrik dengan hanya menggunakan suku cadang yang identik.** Dengan demikian, hal ini akan memastikan keamanan perkakas listrik.

#### Petunjuk keselamatan untuk alat potong

- ▶ **Perkakas listrik ini tidak sesuai untuk pengoperasian stasioner.** Perkakas listrik tidak boleh dipasang ke ragum atau dikencangkan ke meja kerja.
- ▶ **Gunakan sarung tangan pelindung saat bekerja dan berhati-hatilah terhadap kabel listrik.** Pada pelat logam yang dipotong terjadi tepi-tepi yang sangat tajam, yang bisa melukai Anda atau merusakkan kabel jaringan.
- ▶ **Pegang erat perkakas listrik dengan kedua tangan selama mengoperasikannya dan pastikan Anda berdiri di posisi aman.** Gunakan perkakas listrik dengan kedua tangan secara hati-hati.

#### Spesifikasi produk dan performa



**Bacalah semua petunjuk keselamatan dan petunjuk penggunaan.** Kesalahan dalam menjalankan petunjuk keselamatan dan petunjuk penggunaan dapat mengakibatkan kontak listrik, kebakaran, dan/atau luka-luka yang berat.

Perhatikan ilustrasi yang terdapat pada sisi sampul panduan pengoperasian.

#### Tujuan penggunaan

Perkakas listrik ini cocok untuk memotong pelat logam tanpa perubahan bentuk dan cocok untuk pemotongan lurus, pemotongan lurus, pembagian dan pemotongan melengkung.

#### Ilustrasi komponen

Nomor-nomor dari bagian-bagian perkakas pada gambar sesuai dengan gambar perkakas listrik pada halaman bergambar.

- (1) Sekrup untuk gagang penahan
- (2) Gagang penahan
- (3) Gagang tambahan
- (4) Kunci L

- (5) Tombol on/off
- (6) Ulir pada gagang tambahan
- (7) Sekrup untuk pemasangan plunger
- (8) Lubang pada dudukan dies
- (9) Sekrup untuk dies
- (10) Plunger
- (11) Pelat sandaran
- (12) Penahan
- (13) Sekrup untuk penahan
- (14) Dies
- (15) Dudukan dies
- (16) Pengatur kedudukan plunger

### Data teknis

Mesin pengerat		GNA 3,5
Nomor seri		0 601 533 1..
Input daya nominal	W	620
Daya output	W	340
Kecepatan pemotongan tanpa beban $n_0$	min <sup>-1</sup>	1000
Kecepatan pemotongan saat diberi beban	min <sup>-1</sup>	670
Ketebalan maks. pelat logam yang dapat dipotong <sup>A)</sup>	mm	3,5
Ketebalan pengerat	mm	6
Radius lengkungan terkecil	mm	70
Berat sesuai dengan EPTA-Procedure 01:2014	kg	3,5
Klasifikasi keamanan		□/II

A) Berdasarkan pelat baja hingga 400 N/mm<sup>2</sup>

Data-data berlaku untuk tegangan nominal [U] 230 V. Pada tegangan yang lebih rendah dan pada model khusus mancanegara data-data ini bisa berlainan.

## Cara memasang

### Gagang tambahan

Pasang gagang tambahan (3) pada sisi kiri atau kanan housing ke dalam ulir (6).

Dengan gagang penahan (2), gagang tambahan dapat diperpanjang dan digerakkan ke arah mana pun sesuai keinginan untuk memungkinkan posisi kerja yang aman dan nyaman.

Jika gagang tambahan telah dipasang, selanjutnya lepaskan sekrupnya dari ulir (6). Kencangkan gagang penahan (2) dengan sekrup (1) dalam sudut yang diinginkan pada sisi kiri atau kanan housing dalam ulir. Pasang gagang tambahan ke kiri atau ke kanan dengan sesuai ke dalam ujung yang sempit pada gagang penahan.

Jika gagang penahan dikencangkan dari sisi kiri housing, pastikan tombol on/off (5) tidak tertutupi.

## Penggunaan

### Cara penggunaan

- ▶ **Perhatikan tegangan listrik! Tegangan jaringan listrik harus sesuai dengan tegangan listrik yang tercantum pada label tipe perkakas listrik. Perkakas listrik dengan daya sebesar 230 V seperti yang diindikasikan pada label dapat juga dioperasikan pada daya 220 V.**

### Mengatur penahan

Untuk pengerjaan bebas getaran, atur penahan (12) pada tiap-tiap pelat logam.

Tahan perkakas listrik sedemikian rupa hingga dies (14) berada pada sisi bawah logam yang dikerjakan. Kendurkan sekrup (13) pada penahan. Dorong sedikit penahan (12) (sekitar 0,3 mm) ke atas logam. Pastikan penahan didorong secara lurus dan tidak miring. Pasang dan kencangkan kembali sekrup (13).

### Menyalakan/mematikan

Untuk **menyalakan** perkakas listrik, geser tombol on/off (5) ke depan hingga muncul I pada switch.

Untuk **mengunci** tombol on/off (5), dorong tombol ke depan.

Untuk **mematikan** perkakas listrik, lepaskan tombol on/off (5). Jika tombol on/off terkunci, tekan bagian belakang dari tombol dan lepaskan.

### Petunjuk pengoperasian

- ▶ **Sebelum mulai dengan pekerjaan pada perkakas listrik, tariklah steker dari stopkontak.**
- ▶ **Perkakas listrik ini tidak sesuai untuk pengoperasian stasioner.** Perkakas listrik tidak boleh dipasang ke ragum atau dikencangkan ke meja kerja.
- ▶ **Gunakan sarung tangan pelindung saat bekerja dan berhati-hatilah terhadap kabel listrik.** Pada pelat logam yang dipotong terjadi tepi-tepi yang sangat tajam, yang bisa melukai Anda atau merusakkan kabel jaringan.
- ▶ **Hati-hati saat memegang chip pemotong.** Chip yang berbentuk sabit mempunyai ujung yang sangat tajam, yang dapat melukai pengguna.

Hanya arahkan perkakas listrik ke benda kerja saat perkakas dinyalakan. Usahakanlah supaya posisi perkakas listrik selalu tegak lurus terhadap permukaan pelat logam dan jangan memiringkannya.

Pemotongan terjadi saat plunger sedang bergerak ke bawah. Arahkan perkakas listrik secara merata dan dengan dorongan ringan ke arah pemotongan. Dorongan yang terlalu kuat akan sangat mengurangi masa pakai alat sisipan dan dapat merusak perkakas listrik.

Perkakas listrik bekerja lebih tenang jika perkakas listrik agak diangkat selama memotong. Jika plunger terjepit saat terpotong, matikan perkakas listrik, lumasi plunger dan renggangkan pelat. Jangan melakukannya dengan paksaan, karena plunger dan dies dapat menjadi rusak.

### Ketebalan maksimal pelat logam yang dapat dipotong

Ketebalan maksimal pelat logam  $d_{\max}$  yang dapat dipotong bergantung pada kekuatan material yang akan dikerjakan. Dengan perkakas listrik ini, pelat logam dengan ketebalan maksimal berikut dapat dipotong:

Material	Kekuatan maks. (N/mm <sup>2</sup> )	$d_{\max}$ (mm)
Baja	400	3,5
	600	2,4
	800	1,6
Aluminium	200	4,0

### Melumasi/mendinginkan plunger

Gunakan pelumas dengan fungsi pendingin yang baik (misalnya oli pemotongan) untuk memperpanjang masa pakai plunger (10).

Beri pelumas pada bagian atas pelat di sepanjang garis pemotongan yang direncanakan.

Rendam alat sisipan secara berkala ke dalam wadah dengan pelumas setelah pengoperasian yang lebih lama atau saat pengoperasian dengan abrasi yang tinggi (misalnya pemotongan pada aluminium).

### Memotong sesuai goresan atau dengan template

Moncong pada penahan (12) dapat digunakan sebagai tanda pemotongan saat memotong sesuai goresan.

Pemotongan lurus lebih mudah dilakukan jika perkakas listrik digerakkan sepanjang mistar.

Berbagai bentuk dapat dipotong dengan menggerakkan perkakas listrik sepanjang template.

Untuk pembagian dalam, diperlukan pra-pegeboran dengan diameter 41 mm.

## Perawatan dan servis

### Perawatan dan pembersihan

- ▶ **Sebelum mulai dengan pekerjaan pada perkakas listrik, tariklah steker dari stopkontak.**
- ▶ **Perkakas listrik dan lubang ventilasi harus selalu dibersihkan agar perkakas dapat digunakan dengan baik dan aman.**

Jika kabel listrik harus diganti, pekerjaan ini harus dilakukan oleh **Bosch** atau Service Center untuk perkakas listrik **Bosch** resmi agar keselamatan kerja selalu terjamin.

Setiap 3 jam pengoperasian, bersihkan atau lumasi plunger (10), dies (14) dan pelat sandaran (11).

Ganti plunger, dies dan pelat sandaran tepat pada waktunya untuk menghindari keausan karena hanya peralatan yang tajam yang dapat menghasilkan pemotongan yang bagus dan melindungi perkakas listrik.

### Mengganti dies

Kendurkan dan lepas kedua sekrup (9). Pasang dies baru (14) lalu kencangkan dengan kuat menggunakan sekrup.

Dies yang aus tidak boleh diasah kembali.

### Mengganti pelat sandaran

Pelat sandaran (11) digunakan untuk melindungi dudukan dies (15).

Untuk mengganti pelat sandaran (11), lepaskan dies (14) seperti yang dijelaskan di atas. Selanjutnya, kendurkan dan lepaskan sekrup (13) pada penahan. Lepaskan penahan (12) dan pelat sandaran.

Pasang pelat sandaran yang baru (11). Kencangkan dies (14) dengan sekrup (9) dan kencangkan penahan (12) dengan sekrup (13). Kencangkan semua sekrup dengan baik.

### Mengganti plunger

Pasang kunci L (4) ke kepala sekrup pengatur kedudukan plunger (16). Putar pengatur kedudukan plunger hingga sekrup (7) pada pengencang plunger benar-benar berada di tengah-tengah lubang (8) pada dudukan dies. Lepaskan kunci L dari pengatur kedudukan plunger.

Lepaskan dies (14) serta penahan (12) dan pelat sandaran (11) seperti yang dijelaskan di atas.

Kendurkan sekrup (7) pada pengencang plunger dan tarik plunger (10) ke bawah. Lumasi plunger yang baru atau plunger yang diasah dengan baik dan pasang plunger dari bawah. Kencangkan kembali sekrup (7) pada pengencang plunger.

Kencangkan pelat sandaran (11) dan penahan (12) serta dies (14) seperti yang dijelaskan di atas.

### Mengasah kembali plunger

Melakukan pengasahan kembali tepat pada waktunya (misalnya dengan cakram pemotong berlian) umumnya dapat mencegah plunger (10) pecah. Plunger yang sangat rusak tidak boleh diasah kembali.

Plunger tidak boleh diasah kembali lebih dari 1 mm.

Pengasahan hanya boleh dilakukan pada permukaan pemotongan dan berada tepat 90° ke sumbu tengah.

Asah mata pisau plunger dengan batu asahan yang halus.

### Layanan pelanggan dan konsultasi penggunaan

Layanan pelanggan Bosch menjawab semua pertanyaan Anda tentang reparasi dan perawatan serta tentang suku cadang produk ini. Gambaran teknis (exploded view) dan informasi mengenai suku cadang dapat ditemukan di:

**www.bosch-pt.com**

Tim konsultasi penggunaan Bosch akan membantu Anda menjawab pertanyaan seputar produk kami beserta aksesorinya.

Jika Anda hendak menanyakan sesuatu atau memesan suku cadang, selalu sebutkan nomor model yang terdiri dari 10 angka dan tercantum pada label tipe produk.

### Indonesia

PT Robert Bosch  
Palma Tower 10th Floor  
Jalan RA Kartini II-S Kaveling 6  
Pondok Pinang, Kebayoran Lama  
Jakarta Selatan 12310

Tel.: (021) 3005 5800  
 Fax: (021) 3005 5801  
 E-Mail: boschpowertools@id.bosch.com  
 www.bosch-pt.co.id

### Cara membuang

Perkakas listrik, aksesoris, dan kemasan sebaiknya didaur ulang secara ramah lingkungan.



Jangan membuang perkakas listrik ke dalam sampah rumah tangga!

## Tiếng Việt

### Hướng dẫn an toàn

#### Hướng dẫn an toàn chung cho dụng cụ điện

**⚠ CẢNH BÁO** Hãy đọc toàn bộ các cảnh báo an toàn, hướng dẫn, hình ảnh và thông số kỹ thuật được cung cấp cho dụng cụ điện cầm tay này. Không tuân thủ mọi hướng dẫn được liệt kê dưới đây có thể bị điện giật, gây cháy và /hay bị thương tật nghiêm trọng.

**Hãy giữ tất cả tài liệu về cảnh báo và hướng dẫn để tham khảo về sau.**

Thuật ngữ "dụng cụ điện cầm tay" trong phần cảnh báo là đề cập đến sự sử dụng dụng cụ điện cầm tay của bạn, loại sử dụng điện nguồn (có dây cắm điện) hay vận hành bằng pin (không dây cắm điện).

#### Khu vực làm việc an toàn

- ▶ **Giữ nơi làm việc sạch và đủ ánh sáng.** Nơi làm việc bừa bộn và tối tăm dễ gây ra tai nạn.
- ▶ **Không vận hành dụng cụ điện cầm tay trong môi trường dễ gây nổ, chẳng hạn như nơi có chất lỏng dễ cháy, khí đốt hay rác.** Dụng cụ điện cầm tay tạo ra các tia lửa nên có thể làm rác bén cháy hay bốc khói.
- ▶ **Không để trẻ em hay người đến xem đứng gần khi vận hành dụng cụ điện cầm tay.** Sự phân tâm có thể gây ra sự mất điều khiển.

#### An toàn về điện

- ▶ **Phích cắm của dụng cụ điện cầm tay phải thích hợp với ổ cắm.** Không bao giờ được cài biến lại phích cắm dưới mọi hình thức. Không được sử dụng phích tiếp hợp nối tiếp đất (dây mát). Phích cắm nguyên bản và ổ cắm đúng loại sẽ làm giảm nguy cơ bị điện giật.
- ▶ **Tránh không để thân thể tiếp xúc với đất hay các vật có bề mặt tiếp đất như đường ống, lò sưởi, hàng rào và tủ lạnh.** Có nhiều nguy cơ bị điện giật hơn nếu có thể bạn bị tiếp hay nối đất.

- ▶ **Không được để dụng cụ điện cầm tay ngoài mưa hay ở tình trạng ẩm ướt.** Nước vào máy sẽ làm tăng nguy cơ bị điện giật.
- ▶ **Không được lạm dụng dây dẫn điện.** Không bao giờ được nắm dây dẫn để xách, kéo hay rút phích cắm dụng cụ điện cầm tay. Không để dây gần nơi có nhiệt độ cao, dầu nhớt, vật nóng hay cuộn rối dây dẫn làm tăng nguy cơ bị điện giật.
- ▶ **Khi sử dụng dụng cụ điện cầm tay ngoài trời, dùng dây nối thích hợp cho việc sử dụng ngoài trời.** Sử dụng dây nối thích hợp cho việc sử dụng ngoài trời làm giảm nguy cơ bị điện giật.
- ▶ **Nếu việc sử dụng dụng cụ điện cầm tay ở nơi ẩm ướt là không thể tránh được, dùng thiết bị ngắt mạch tự động (RCD) bảo vệ nguồn.** Sử dụng thiết bị ngắt mạch tự động RCD làm giảm nguy cơ bị điện giật.

#### An toàn cá nhân

- ▶ **Hãy tỉnh táo, biết rõ mình đang làm gì và hãy sử dụng ý thức khi vận hành dụng cụ điện cầm tay.** Không sử dụng dụng cụ điện cầm tay khi đang mệt mỏi hay đang bị tác động do chất gây nghiện, rượu hay được phâm gây ra. Một thoáng mất tập trung khi đang vận hành dụng cụ điện cầm tay có thể gây thương tích nghiêm trọng cho bản thân.
- ▶ **Sử dụng trang bị bảo hộ cá nhân. Luôn luôn đeo kính bảo vệ mắt.** Trang bị bảo hộ như khẩu trang, giày chống trượt, nón bảo hộ, hay dụng cụ bảo vệ tai khi được sử dụng đúng nơi đúng chỗ sẽ làm giảm nguy cơ thương tật cho bản thân.
- ▶ **Phòng tránh máy khởi động bất ngờ.** Bảo đảm công tắc máy ở vị trí tắt trước khi cắm vào nguồn điện và/hay lắp pin vào, khi nhắc máy lên hay khi mang xách máy. Ngáng ngón tay vào công tắc máy để xách hay kích hoạt dụng cụ điện cầm tay khi công tắc ở vị trí mở dễ dẫn đến tai nạn.
- ▶ **Lấy mọi chìa hay khóa điều chỉnh ra trước khi mở điện dụng cụ điện cầm tay.** Khóa hay chìa còn gắn dính vào bộ phận quay của dụng cụ điện cầm tay có thể gây thương tích cho bản thân.
- ▶ **Không rướn người. Luôn luôn giữ tư thế đứng thích hợp và thăng bằng.** Điều này tạo cho việc điều khiển dụng cụ điện cầm tay tốt hơn trong mọi tình huống bất ngờ.
- ▶ **Trang phục thích hợp.** Không mặc quần áo rộng lủng thùng hay mang trang sức. Giữ tóc và quần áo xa khỏi các bộ phận chuyển động. Quần áo rộng thùng thình, đồ trang sức hay tóc dài có thể bị cuốn vào các bộ phận chuyển động.

- ▶ **Nếu có các thiết bị đi kèm để nối máy hút bụi và các phụ kiện khác, bảo đảm các thiết bị này được nối và sử dụng tốt.** Việc sử dụng các thiết bị gom hút bụi có thể làm giảm các độc hại liên quan đến bụi gây ra.
- ▶ **Không để thói quen do sử dụng thường xuyên dụng cụ khiến bạn trở nên chủ quan và bỏ qua các quy định an toàn dụng cụ.** Một hành vi bất cẩn có thể gây ra thương tích nghiêm trọng chỉ trong tích tắc.

#### Sử dụng và bảo dưỡng dụng cụ điện cầm tay

- ▶ **Không được ép máy.** Sử dụng dụng cụ điện cầm tay đúng loại theo đúng ứng dụng của bạn. Dụng cụ điện cầm tay đúng chức năng sẽ làm việc tốt và an toàn hơn theo đúng tiến độ mà máy được thiết kế.
- ▶ **Không sử dụng dụng cụ điện cầm tay nếu như công tắc không tắt và mở được.** Bất kỳ dụng cụ điện cầm tay nào mà không thể điều khiển được bằng công tắc là nguy hiểm và phải được sửa chữa.
- ▶ **Rút phích cắm ra khỏi nguồn điện và/hay pin ra khỏi dụng cụ điện cầm tay nếu có thể tháo được, trước khi tiến hành bất kỳ điều chỉnh nào, thay phụ kiện, hay cắt dụng cụ điện cầm tay.** Các biện pháp ngăn ngừa như vậy làm giảm nguy cơ dụng cụ điện cầm tay khởi động bất ngờ.
- ▶ **Cắt giữ dụng cụ điện cầm tay không dùng tới nơi trẻ em không lấy được và không cho người chưa từng biết dụng cụ điện cầm tay hay các hướng dẫn này sử dụng dụng cụ điện cầm tay.** Dụng cụ điện cầm tay nguy hiểm khi ở trong tay người chưa được chỉ cách sử dụng.
- ▶ **Bảo quản dụng cụ điện cầm tay và các phụ kiện.** Kiểm tra xem các bộ phận chuyển động có bị sai lệch hay kẹt, các bộ phận bị rạn nứt và các tình trạng khác có thể ảnh hưởng đến sự vận hành của máy. Nếu bị hư hỏng, phải sửa chữa máy trước khi sử dụng. Nhiều tai nạn xảy ra do bảo quản dụng cụ điện cầm tay tồi.
- ▶ **Giữ các dụng cụ cắt bén và sạch.** Bảo quản đúng cách các dụng cụ cắt có cạnh cắt bén làm giảm khả năng bị kẹt và dễ điều khiển hơn.
- ▶ **Sử dụng dụng cụ điện cầm tay, phụ kiện, đầu cài v. v., đúng theo các chỉ dẫn này, hãy lưu ý đến điều kiện làm việc và công việc phải thực hiện.** Sự sử dụng dụng cụ điện cầm tay khác với mục đích thiết kế có thể tạo nên tình huống nguy hiểm.
- ▶ **Giữ tay cầm và bề mặt nắm luôn khô ráo, sạch sẽ và không dính dầu mỡ.** Tay cầm và bề mặt nắm trơn trượt không đem lại thao tác an toàn và kiểm soát dụng cụ trong các tình huống bất ngờ.

#### Bảo dưỡng

- ▶ **Đưa dụng cụ điện cầm tay của bạn đến thợ chuyên môn để bảo dưỡng, chỉ sử dụng phụ tùng đúng chủng loại để thay.** Điều này sẽ đảm bảo sự an toàn của máy được giữ nguyên.

#### Các chỉ dẫn an toàn cho con chuột

- ▶ **Dụng cụ điện không phù hợp cho vận hành tĩnh.** Không được phép kẹp vào một ê-tô hoặc gắn trên một bàn máy.
- ▶ **Hãy đeo gang tay bảo vệ khi làm việc và đặc biệt lưu ý dây nguồn.** Phoi vụn sắc nhọn phát sinh khi cắt thép tấm và có thể gây thương tích cho người vận hành máy hay gây hư hỏng dây cắm điện nguồn.
- ▶ **Giữ máy thật chắc bằng cả hai tay trong khi làm việc và luôn luôn giữ tư thế đứng cho thích hợp và cân bằng.** Dùng hai tay để điều khiển máy thì an toàn hơn.

### Mô Tả Sản Phẩm và Đặc Tính Kỹ Thuật



**Đọc kỹ mọi cảnh báo an toàn và mọi hướng dẫn.** Không tuân thủ mọi cảnh báo và hướng dẫn được liệt kê dưới đây có thể bị điện giật, gây cháy và / hay bị thương tật nghiêm trọng.

Xin lưu ý các hình minh họa trong phần trước của hướng dẫn vận hành.

#### Sử dụng đúng cách

Máy được thiết kế dùng để cắt kim loại tấm mà không làm biến dạng vật liệu, và thích hợp cho cách cắt thẳng đường, cắt thành đoạn và các đường cong hẹp.

#### Các bộ phận được minh họa

Sự đánh số các biểu trưng của sản phẩm là để tham khảo hình minh họa của máy trên trang hình ảnh.

- (1) Vít lắp bắt phần nối ghép tay nắm
- (2) Phần nối ghép tay nắm
- (3) Tay nắm phụ
- (4) Chia vận lục giác
- (5) Công tắc bật/tắt
- (6) Vòng ren gắn tay nắm phụ
- (7) Vít chốt khóa mũi đột dập
- (8) Lỗ trống trên phần lắp khuôn rập
- (9) Vít lắp bắt khuôn rập
- (10) Mũi đột dập
- (11) Đường dẫn hướng
- (12) Đường chặn xuống
- (13) Vít lắp bắt đường chặn xuống

- (14) Khuôn dập
- (15) Phần lắp khuôn dập
- (16) Vít điều chỉnh khuôn dập

## Thông số kỹ thuật

Máy Cắt Găm		GNA 3,5
Mã số máy		0 601 533 1..
Công suất vào danh định	W	620
Công suất ra	W	340
Tần suất nhịp chạy không tải $n_0$	min <sup>-1</sup>	1000
Tốc độ khoảng chạy có tải	min <sup>-1</sup>	670
Công suất cắt thép tấm tối đa <sup>A)</sup>	mm	3,5
Bề rộng đường cắt	mm	6
Bán kính đường cong nhỏ nhất	mm	70
Trọng lượng theo Qui trình EPTA-Procedure 01:2014	kg	3,5
Cấp độ bảo vệ		□/II

A) liên quan đến thép tấm đến 400 N/mm<sup>2</sup>  
 Các giá trị đã cho có hiệu lực cho điện thế danh định [U] 230 V. Đối với điện thế thấp hơn và các loại máy dành riêng cho một số quốc gia, các giá trị này có thể thay đổi.

## Sự lắp vào

### Tay nắm phụ

Siết chặt tay nắm phụ (3) bên phải hoặc bên trái ở vỏ máy vào ren (6).

Với phần nối ghép tay nắm, bạn có thể (2) xoay tay nắm phụ tùy ý, để có tư thế làm việc an toàn và ít mỏi.

Nếu tay nắm phụ được lắp sẵn, hãy tháo nó ra khỏi ren (6). Hãy siết chặt phần nối ghép tay nắm (2) với vít (1) trong góc mong muốn bên phải hoặc bên trái theo ren trên vỏ bọc. Siết chặt tay nắm phụ ở bên phải hoặc bên trái vào đầu hẹp hơn của phần nối ghép tay nắm.

Nếu bạn gắn phần nối ghép tay nắm bên trái vỏ bọc, hãy đảm bảo rằng công tắc bật/tắt (5) không bị che.

## Vận Hành

### Bắt Đầu Vận Hành

- ▶ **Hãy cẩn thận với nguồn điện! Điện thế nguồn phải đúng với điện thế đã ghi rõ trên nhãn máy. Dụng cụ điện được ghi 230 V cũng có thể được vận hành ở 220 V.**

### Điều chỉnh dưỡng chặn xuống

Để làm việc không gây rung động, bạn phải chỉnh dưỡng chặn xuống (12) thành độ dày thép tấm tương ứng.

Hãy dùng dụng cụ điện sao cho khuôn dập (14) nằm chính xác trên mặt dưới của thép tấm cần gia công. Hãy nhả vít (13) trên dưỡng chặn xuống. Hãy đẩy dưỡng chặn xuống (12) với khe hở (khoảng 0,3 mm) lên thép tấm. Đảm bảo rằng dưỡng chặn xuống được đẩy thẳng và không bị nghiêng. Siết chặt các vít (13) lại như cũ.

### Bật/tắt

Để **bật** dụng cụ điện hãy đẩy công tắc bật/tắt (5) ra trước, để trên công tắc I xuất hiện.

Để **khóa giữ** công tắc bật/tắt (5) hãy nhấn công tắc ở phía trước.

Để **tắt** dụng cụ điện cầm tay hãy nhả công tắc bật/tắt (5). Khi công tắc bật/tắt đã bị khóa, nhấn phần sau của công tắc và sau đó thả ra lại.

### Hướng Dẫn Sử Dụng

- ▶ **Trước khi tiến hành bất cứ việc gì trên máy, kéo phích cắm điện nguồn ra.**
- ▶ **Dụng cụ điện không phù hợp cho vận hành tĩnh.** Không được phép kẹp vào một ê-tô hoặc gắn trên một bàn máy.
- ▶ **Hãy đeo gang tay bảo vệ khi làm việc và đặc biệt lưu ý dây nguồn.** Phoi vụn sắc nhọn phát sinh khi cắt thép tấm và có thể gây thương tích cho người vận hành máy hay gây hư hỏng dây cầm điện nguồn.
- ▶ **Cẩn thận khi xử lý vỏ bảo.** Các phoi cắt có đầu nhọn có thể gây thương tích.

Chỉ cho máy gia công vật liệu khi máy đã hoạt động. Luôn luôn giữ máy thẳng đứng so với bề mặt của tấm thép và không làm tấm thép bị oằn hay nghiêng.

Sự cắt diễn ra trong quá trình chuyển động xuống của mũi đột dập. Đẩy máy đều tay và cho nạp tải vừa phải đi theo chiều cắt. Sự nạp tải quá mức làm giảm đáng kể tuổi thọ của dụng cụ cắt và có thể làm hư hỏng máy.

Máy vận hành ít gây ồn hơn khi ta nâng máy cao lên một chút trong khi cắt. Nếu giả như mũi đột dập bị chèn chặt trong khi cắt, tắt máy ngay, bôi trơn lại mũi đột dập và giải phóng sự căng kéo của tấm thép. Không được dùng sức mạnh, nếu không, mũi đột dập và khuôn dập sẽ bị hư hỏng.

### Công suất cắt thép tấm tối đa

Công suất cắt thép tấm tối đa  $d_{max}$  phụ thuộc vào độ bền của vật liệu cần gia công.

Máy cho phép gia công cắt kim loại tấm có độ dày như sau:

Nguyên liệu	độ bền tối đa (N/mm <sup>2</sup> )	d <sub>max</sub> (mm)
Thép	400	<b>3,5</b>
	600	<b>2,4</b>
	800	<b>1,6</b>
Nhôm	200	<b>4,0</b>

### Bôi Trơn/Làm Ngươi Mũi Đốt Dập

Để kéo dài tuổi thọ của khuôn dập (10) bạn cần sử dụng chất bôi trơn có chức năng làm mát tốt (ví dụ dầu cắt gọt).

Hãy thoa một vệt chất bôi trơn lên mặt trên của tấm thép dọc đường cắt dự kiến.

Khi làm việc lâu hoặc làm việc với độ mòn cao (ví dụ cắt nhôm) bạn cần thường xuyên nhúng dụng cụ gài vào bình chứa chất bôi trơn.

### Cắt dọc theo Vạch Cắt hay sử dụng Đường

Bạn có thể sử dụng lấy trên đường chặn xuống (12) khi cắt dọc vạch cắt.

Đường cắt thẳng được thực hiện dễ dàng hơn khi máy được cặp vào thước để gia công.

Có thể cắt vòng quanh biên bằng cách cho máy chạy cặp theo khuôn đường.

Để cắt bên trong, cần khoan trước đường kính 41 mm.

## Bảo Dưỡng và Bảo Quản

### Bảo Dưỡng Và Làm Sạch

- ▶ Trước khi tiến hành bất cứ việc gì trên máy, kéo phích cắm điện nguồn ra.
- ▶ Để được an toàn và máy hoạt động đúng chức năng, luôn luôn giữ máy và các khe thông gió được sạch.

Nếu như cần phải thay dây dẫn điện thì công việc này phải do hãng **Bosch**, hay một đại lý được **Bosch** ủy nhiệm thực hiện để tránh gặp sự nguy hiểm do mất an toàn.

Làm sạch và bôi dầu cho mũi đốt dập (10), khuôn dập (14) và đường dẫn hướng (11) cứ 3 giờ vận hành một lần.

Thay mũi đốt dập, khuôn dập và đường dẫn hướng vào đúng lúc khi đã mòn, bởi vì chỉ có những dụng cụ sắc bén mới tạo ra chất lượng cắt tốt và làm tăng tuổi thọ của máy.

### Thay Khuôn Rập

Nhả và tháo cả hai vít (9). Hãy lắp một khuôn dập mới (14) và siết chặt nó với các vít.

Không được mài lại khuôn dập đã mòn.

### Thay Đường Dẫn Hướng

Đường dẫn hướng (11) dùng để bảo vệ ụ ren (15).

Để thay đường dẫn hướng (11) hãy tháo khuôn dập (14) như mô tả trên. Hãy nhả và tháo các

vít (13) trên đường chặn xuống. Hãy tháo đường chặn xuống (12) và đường dẫn hướng.

Hãy lắp một đường dẫn hướng mới (11). Hãy gắn khuôn dập (14) với vít (9) và đường chặn xuống (12) với vít (13). Siết chặt các vít lại.

### Thay Mũi Đốt Dập

Hãy gài chia vận lục giác (4) vào đầu vít điều chỉnh khuôn dập (16). Hãy xoay vít điều chỉnh khuôn dập ra cho đến khi vít (7) gắn mũi đốt dập nằm chính xác ở giữa lỗ khoan (8) trên ụ ren. Hãy tháo chia vận lục giác ra khỏi vít điều chỉnh khuôn dập.

Hãy tháo khuôn dập (14) cũng như đường chặn xuống (12) và đường dẫn hướng (11) như mô tả bên trên.

Hãy rời lỏng vít (7) gắn mũi đốt dập và tháo mũi đốt dập (10) xuống dưới. Bôi trơn mũi đốt dập mới hay đã được mài lại đúng cách và lắp từ dưới lên. Siết chặt các vít (7) gắn mũi đốt dập.

Gắn đường dẫn hướng (11) và đường chặn xuống (12) cũng như khuôn dập (14) như mô tả trên.

### Mài Lại Mũi Đốt Dập

Mài lại đúng lúc (ví dụ bằng đĩa mài kim cương) có thể ngăn gãy mũi đốt dập (10). Không mài lại mũi đốt dập đã bị hư hỏng nặng.

Mũi đốt dập chỉ được mài lại tối đa 1 mm. Chỉ được mài trên mặt cắt và chính 90° so với trục trung tâm.

Mài bên cạnh cắt của mũi đốt dập, dùng đá mài loại mịn.

### Dịch vụ hỗ trợ khách hàng và tư vấn sử dụng

Bộ phận phục vụ hàng sau khi bán của chúng tôi trả lời các câu hỏi liên quan đến việc bảo dưỡng và sửa chữa các sản phẩm cũng như phụ tùng thay thế của bạn. Sơ đồ mô tả và thông tin về phụ tùng thay thế cũng có thể tra cứu theo dưới đây:

**www.bosch-pt.com**

Đội ngũ tư vấn sử dụng của Bosch sẽ giúp bạn giải đáp các thắc mắc về sản phẩm và phụ kiện.

Trong tất cả các phản hồi và đơn đặt phụ tùng, xin vui lòng luôn luôn nhập số hàng hóa 10 chữ số theo nhãn của hàng hóa.

### Việt Nam

CN CÔNG TY TNHH BOSCH VIỆT NAM TẠI TP.HCM

Tầng 14, Ngõ Nhà Đức, 33 Lê Duẩn  
Phường Bến Nghé, Quận 1, Thành Phố Hồ Chí Minh

Tel.: (028) 6258 3690

Fax: (028) 6258 3692 - 6258 3694

Hotline: (028) 6250 8555

Email: [tuvankhachhang-pt@vn.bosch.com](mailto:tuvankhachhang-pt@vn.bosch.com)

[www.bosch-pt.com.vn](http://www.bosch-pt.com.vn)

[www.baohanhbosch-pt.com.vn](http://www.baohanhbosch-pt.com.vn)

### Campuchia

Công ty TNHH Robert Bosch (Campuchia)  
Đơn nguyên 8BC, GT Tower, Tầng 08, Đường 169,  
Tiệp Khắc Blvd, Sangkat Veal Vong,  
Khan 7 Makara, Phnom Penh  
VAT TIN: 100 169 511  
Tel.: +855 23 900 685  
Tel.: +855 23 900 660  
www.bosch.com.kh

### Sự thải bỏ

Máy, linh kiện và bao bì phải được phân loại để tái chế theo hướng thân thiện với môi trường.



Không được thải bỏ dụng cụ điện vào chung với rác sinh hoạt!