



Robert Bosch Power Tools GmbH
70538 Stuttgart
GERMANY

www.bosch-pt.com

1 609 92A 503 (2019.08) T / 41



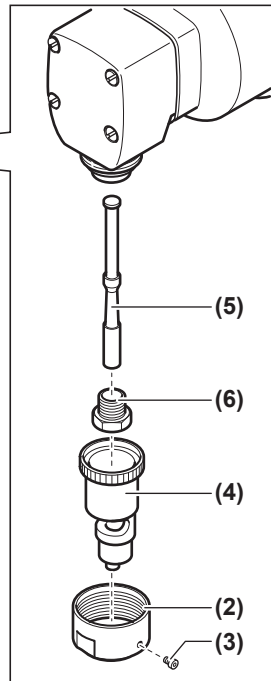
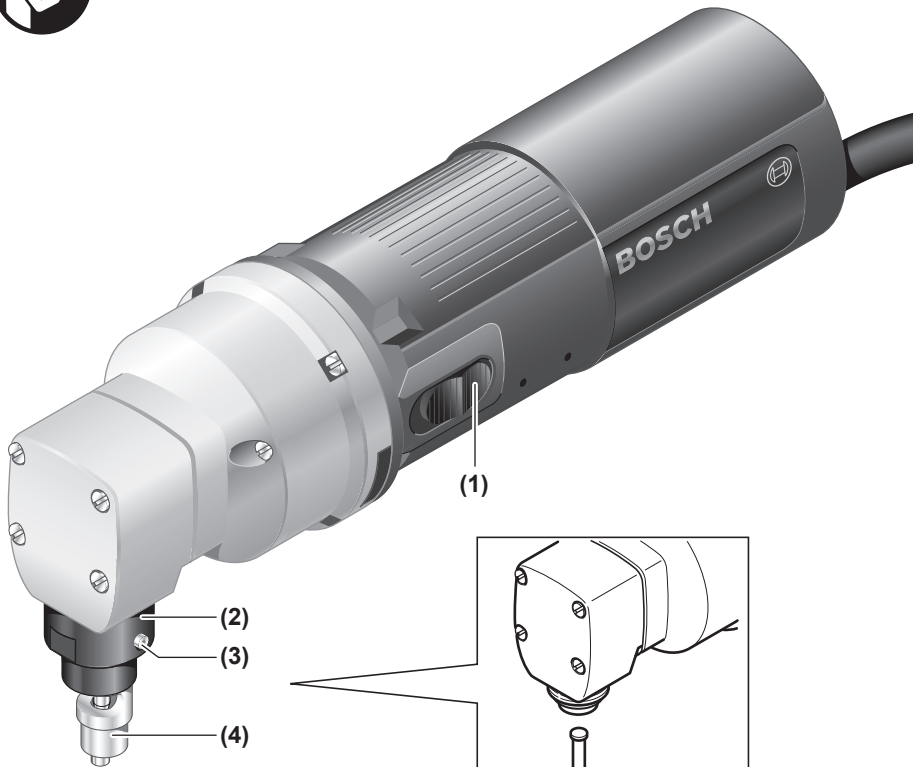
1 609 92A 503

GNA 2,0 Professional

 **BOSCH**

en Original instructions
zh 正本使用说明书
zh 原始使用說明書
ko 사용 설명서 원본
th หนังสือคู่มือการใช้งานฉบับต้นแบบ
id Petunjuk-Petunjuk untuk Penggunaan Orisinal
vi Bản gốc hướng dẫn sử dụng
fr Notice originale
ar دليل التشغيل الأصلي
fa دفترچه راهنمای اصلی

English	Page	4
中文	页	9
繁體中文	頁	12
한국어	페이지	14
ไทย	หน้า	18
Bahasa Indonesia	Halaman	22
Tiếng Việt	Trang	25
Français	Page	29
عربي	الصفحة	33
فارسی	صفحه	38



GNA 2,0

English

Safety instructions

General Power Tool Safety Warnings

⚠ WARNING Read all safety warnings, instructions, illustrations and specifications provided with this power tool. Failure to follow all instructions listed below may result in electric shock, fire and/or serious injury.

Save all warnings and instructions for future reference.

The term "power tool" in the warnings refers to your mains-operated (corded) power tool or battery-operated (cordless) power tool.

Work area safety

- ▶ **Keep work area clean and well lit.** Cluttered or dark areas invite accidents.
- ▶ **Do not operate power tools in explosive atmospheres, such as in the presence of flammable liquids, gases or dust.** Power tools create sparks which may ignite the dust or fumes.
- ▶ **Keep children and bystanders away while operating a power tool.** Distractions can cause you to lose control.

Electrical safety

- ▶ **Power tool plugs must match the outlet. Never modify the plug in any way. Do not use any adapter plugs with earthed (grounded) power tools.** Unmodified plugs and matching outlets will reduce risk of electric shock.
- ▶ **Avoid body contact with earthed or grounded surfaces, such as pipes, radiators, ranges and refrigerators.** There is an increased risk of electric shock if your body is earthed or grounded.
- ▶ **Do not expose power tools to rain or wet conditions.** Water entering a power tool will increase the risk of electric shock.
- ▶ **Do not abuse the cord. Never use the cord for carrying, pulling or unplugging the power tool. Keep cord away from heat, oil, sharp edges or moving parts.** Damaged or entangled cords increase the risk of electric shock.
- ▶ **When operating a power tool outdoors, use an extension cord suitable for outdoor use.** Use of a cord suitable for outdoor use reduces the risk of electric shock.
- ▶ **If operating a power tool in a damp location is unavoidable, use a residual current device (RCD) protected supply.** Use of an RCD reduces the risk of electric shock.

Personal safety

- ▶ **Stay alert, watch what you are doing and use common sense when operating a power tool. Do not use a power tool while you are tired or under the influence of drugs, alcohol or medication.** A moment of inatten-

tion while operating power tools may result in serious personal injury.

- ▶ **Use personal protective equipment. Always wear eye protection.** Protective equipment such as a dust mask, non-skid safety shoes, hard hat or hearing protection used for appropriate conditions will reduce personal injuries.
- ▶ **Prevent unintentional starting. Ensure the switch is in the off-position before connecting to power source and/or battery pack, picking up or carrying the tool.** Carrying power tools with your finger on the switch or energising power tools that have the switch on invites accidents.
- ▶ **Remove any adjusting key or wrench before turning the power tool on.** A wrench or a key left attached to a rotating part of the power tool may result in personal injury.
- ▶ **Do not overreach. Keep proper footing and balance at all times.** This enables better control of the power tool in unexpected situations.
- ▶ **Dress properly. Do not wear loose clothing or jewellery. Keep your hair and clothing away from moving parts.** Loose clothes, jewellery or long hair can be caught in moving parts.
- ▶ **If devices are provided for the connection of dust extraction and collection facilities, ensure these are connected and properly used.** Use of dust collection can reduce dust-related hazards.
- ▶ **Do not let familiarity gained from frequent use of tools allow you to become complacent and ignore tool safety principles.** A careless action can cause severe injury within a fraction of a second.

Power tool use and care

- ▶ **Do not force the power tool. Use the correct power tool for your application.** The correct power tool will do the job better and safer at the rate for which it was designed.
- ▶ **Do not use the power tool if the switch does not turn it on and off.** Any power tool that cannot be controlled with the switch is dangerous and must be repaired.
- ▶ **Disconnect the plug from the power source and/or remove the battery pack, if detachable, from the power tool before making any adjustments, changing accessories, or storing power tools.** Such preventive safety measures reduce the risk of starting the power tool accidentally.
- ▶ **Store idle power tools out of the reach of children and do not allow persons unfamiliar with the power tool or these instructions to operate the power tool.** Power tools are dangerous in the hands of untrained users.
- ▶ **Maintain power tools and accessories. Check for misalignment or binding of moving parts, breakage of parts and any other condition that may affect the power tool's operation. If damaged, have the power tool repaired before use.** Many accidents are caused by poorly maintained power tools.

- ▶ **Keep cutting tools sharp and clean.** Properly maintained cutting tools with sharp cutting edges are less likely to bind and are easier to control.
- ▶ **Use the power tool, accessories and tool bits etc. in accordance with these instructions, taking into account the working conditions and the work to be performed.** Use of the power tool for operations different from those intended could result in a hazardous situation.
- ▶ **Keep handles and grasping surfaces dry, clean and free from oil and grease.** Slippery handles and grasping surfaces do not allow for safe handling and control of the tool in unexpected situations.

Service

- ▶ **Have your power tool serviced by a qualified repair person using only identical replacement parts.** This will ensure that the safety of the power tool is maintained.

Safety instructions for nibblers

- ▶ **This power tool is not suitable for bench-mounted use.** It must not be clamped into a vice or fastened to a workbench, for example.
- ▶ **Wear protective gloves during work and pay particular attention to the cord.** Sharp burrs develop on the cut sheets; these can cause injury or damage the cord.

Products sold in GB only:

Your product is fitted with an BS 1363/A approved electric plug with internal fuse (ASTA approved to BS 1362).

If the plug is not suitable for your socket outlets, it should be cut off and an appropriate plug fitted in its place by an authorised customer service agent. The replacement plug should have the same fuse rating as the original plug.

The severed plug must be disposed of to avoid a possible shock hazard and should never be inserted into a mains socket elsewhere.

Product Description and Specifications



Read all the safety and general instructions.

Failure to observe the safety and general instructions may result in electric shock, fire and/or serious injury.

Please observe the illustrations at the beginning of this operating manual.

Intended Use

The power tool is intended for cutting sheet metal without deforming the material and is suitable for straight cuts, cut-outs and narrow curves.

Product Features

The numbering of the product features refers to the diagram of the power tool on the graphics page.

- (1) On/off switch
- (2) Cap nut for die

- (3) Clamping screw for die
- (4) Die
- (5) Punch
- (6) Hollow screw for fastening of punch

Technical Data

Nibbler		GNA 2,0
Article number		0 601 530 1..
Rated power input	W	500
Power output	W	270
No-load stroke rate n_0	min ⁻¹	2400
Stroke speed under load	min ⁻¹	1500
Max. sheet cutting capacity ^{A)}	mm	2.0
Cutting width	mm	6
Smallest curve radius	mm	3
Weight according to EPTA-Procedure 01:2014	kg	2.0
Protection class		□/II

A) with reference to steel sheet of up to 400 N/mm²
The specifications apply to a rated voltage [U] of 230 V. These specifications may vary at different voltages and in country-specific models.

Operation

- ▶ **Products that are only sold in AUS and NZ:** Use a residual current device (RCD) with a nominal residual current of 30 mA or less.

Starting Operation

- ▶ **Pay attention to the mains voltage. The voltage of the power source must match the voltage specified on the rating plate of the power tool. Power tools marked with 230 V can also be operated with 220 V.**

Switching On and Off

To **switch on** the power tool, slide the on/off switch **(1)** forwards so that **I** appears on the switch.

To **switch off** the power tool, slide the on/off switch **(1)** backwards so that **0** appears on the switch.

Locking/loosening the die

For straight cuts, tighten the clamping screw **(3)** using a hex key (width across flats 2.5 mm) to lock the die **(4)** in place.

For curved cuts, loosen the clamping screw **(3)**. The die **(4)** can move freely now and adjusts to the direction of the feed strength.

Working Advice

- ▶ **Pull the plug out of the socket before carrying out any work on the power tool.**
- ▶ **This power tool is not suitable for bench-mounted use.** It must not be clamped into a vice or fastened to a workbench, for example.

- **Wear protective gloves during work and pay particular attention to the cord.** Sharp burrs develop on the cut sheets; these can cause injury or damage the cord.

- **Exercise caution when handling the cutting chips.** The chips have sharp tips that can cause injuries.

Apply the power tool to the workpiece only when switched on. Always hold the power tool vertical to the surface of the steel sheet and do not tilt it.

The cut takes place during the upward motion of the punch. Guide the power tool evenly, pushing it gently in the cutting direction. Applying too much pressure to the power tool will significantly reduce the service life of application tools and can damage the power tool.

If the punch should become wedged during cutting, switch the power tool off, relubricate the punch and release the tension of the steel sheet. Do not exert force, otherwise the punch and the die will become damaged.

Maximum steel sheet cutting capacity

The maximum steel sheet cutting capacity d_{\max} depends on the strength properties of the material to be cut.

The power tool allows for cutting of metal sheet to the following thicknesses:

Material	max. strength (N/mm ²)	d_{\max} (mm)
Steel	400	2.0
	600	1.4
	800	1.0
Aluminium	200	2.5

Lubricating/cooling the punch

To extend the service life of the punch (5), a lubricating agent with good cooling properties (e.g. cutting oil) should be used.

Apply a line of lubricant to the top side of the metal sheet along the intended cutting line.

For long periods of continual use or for work with high frictional wear (e.g. when cutting aluminium), the application tool should be immersed in a container of lubricant at regular intervals.

Cutting along a cutting mark or with a guide

Straight cuts are carried out easier when the power tool is guided alongside a rule.

Contours can be cut by guiding the power tool along a template.

For inside cuts, a hole with a diameter of **16 mm** must be pre-drilled.

Maintenance and Service

Maintenance and Cleaning

- **Pull the plug out of the socket before carrying out any work on the power tool.**
- **To ensure safe and efficient operation, always keep the power tool and the ventilation slots clean.**

In order to avoid safety hazards, if the power supply cord needs to be replaced, this must be done by **Bosch** or by an after-sales service centre that is authorised to repair **Bosch** power tools.

Clean and lubricate the punch (5) and die (4) every three operating hours.

Change the punch and die in good time when worn. Only sharp tools produce a good cutting quality and make the power tool last longer.

The punch (5) and the die (4) may not be resharpened.

Changing the die

With the die (4) locked, loosen the clamping screw (3).

Unscrew the cap nut (2) using an open-ended spanner (width across flats 30 mm). Pull the die (4) off.

Insert a new, well lubricated die (4). Retighten the cap nut (2).

Changing the punch

To change the punch (5) remove the die (4) as described above.

Then unscrew the hollow screw (6) and remove the punch (5).

Insert a new, well lubricated punch (5) and tighten it with the hollow screw (6). Reattach the die (4) as described above.

Accessories/replacement parts

Die (universal)	2 608 639 900
Punch:	
– For curved cuts	2 608 639 013
– For straight cuts	2 608 639 016
– Universal	2 608 639 022
For corrugated and sheet metal up to 1.2 mm thick:	
– Die	2 608 639 021
– Set (punch/die)	2 608 639 902

After-Sales Service and Application Service

Our after-sales service responds to your questions concerning maintenance and repair of your product as well as spare parts. You can find explosion drawings and information on spare parts at: www.bosch-pt.com

The Bosch product use advice team will be happy to help you with any questions about our products and their accessories.

In all correspondence and spare parts orders, please always include the 10-digit article number given on the nameplate of the product.

Cambodia

Robert Bosch (Cambodia) Co., Ltd
Unit 8BC, GT Tower, 08th Floor, Street 169,
Czechoslovakia Blvd, Sangkat Veal Vong
Khan 7 Makara, Phnom Penh
VAT TIN: 100 169 511
Tel.: +855 23 900 685

Tel.: +855 23 900 660
www.bosch.com.kh

**People's Republic of China
China Mainland**

Bosch Power Tool (China) Co. Ltd.
Bosch Service Center
567, Bin Kang Road
Bin Kang District
Hangzhou, Zhejiang Province
China 310052
Tel.: (0571) 8887 5566 / 5588
Fax: (0571) 8887 6688 x 5566# / 5588#
E-Mail: bsc.hz@cn.bosch.com
www.bosch-pt.com.cn

HK and Macau Special Administrative Regions

Robert Bosch Co. Ltd.
Flat B, 2/F, Yeung Yiu Chung No. 6 Industrial Building,
19 Cheung Shun Street
Cheung Sha Wan
Kowloon, Hong Kong
Customer Service Hotline: +852 2101 0235
Fax: +852 2590 9762
E-Mail: info@hk.bosch.com
www.bosch-pt.com.hk

India

Bosch Service Center
69, Habibullah Road, (Next to PSBB School), T. Nagar
Chennai-600077
Phone: (044) 64561816
Bosch Service Center
18, Community Center
Phase 1, Mayapuri
New Delhi-110064
Phone: (011) 43166190

Indonesia

PT Robert Bosch
Palma Tower 10th Floor
Jalan RA Kartini II-S Kaveling 6
Pondok Pinang, Kebayoran Lama
Jakarta Selatan 12310
Tel.: (21) 3005-5800
www.bosch-pt.co.id

Malaysia

Robert Bosch Sdn. Bhd. (220975-V) PT/SMY
No. 8A, Jalan 13/6
46200 Petaling Jaya
Selangor
Tel.: (03) 79663194
Toll-Free: 1800 880188
Fax: (03) 79583838
E-Mail: kiathoe.chong@my.bosch.com
www.bosch-pt.com.my

Pakistan

Robert Bosch Middle East FZE – Pakistan Liaison Office
2nd Floor Plaza # 10, CCA Block, DHA Phase 5
Lahore, 54810

Phone: +92(303)4444311
Email: Faisal.Khan@bosch.com

Philippines

Robert Bosch, Inc.
28th Floor Fort Legend Towers,
3rd Avenue corner 31st Street,
Fort Bonifacio, Global City,
1634 Taguig City
Tel.: (632) 8703871
Fax: (632) 8703870
www.bosch-pt.com.ph

Singapore

Powerwell Service Centre Ptd Ltd
Bosch Authorised Service Centre (Power Tools)
4012 Ang Mo Kio Ave 10, #01-02 TECHplace
Singapore 569628
Tel.: 6452 1770
Fax: 6452 1760
E-Mail: ask@powerwellsc.com
www.powerwellsc.com
www.bosch-pt.com.sg

Thailand

Robert Bosch Ltd.
FYI Center Tower 1, 5th Floor,
2525 Rama IV Road, Klongtoei,
Bangkok 10110
Tel.: 02 0128888
Fax: 02 0645802
www.bosch.co.th

Bosch Service – Training Centre
La Salle Tower Ground Floor Unit No.2
10/11 La Salle Moo 16
Srinakharin Road
Bangkaew, Bang Plee
Samutprakarn 10540
Tel.: 02 7587555
Fax: 02 7587525

Vietnam

Branch of Bosch Vietnam Co., Ltd in HCMC
14th floor, Deutsches Haus, 33 Le Duan
Ben Nghe Ward, District 1, Ho Chi Minh City
Tel.: (028) 6258 3690
Fax: (028) 6258 3692 - 6258 3694
Hotline: (028) 6250 8555
Email: tuvankhachhang-pt@vn.bosch.com
www.bosch-pt.com.vn

Bahrain

EA Juffali and Brothers for Technical Equipment Company.
Kingdom of Bahrain, Al Aker - Block 0624 - Road 2403 -
Building 0055D
Phone: +97317704537
Fax: +97317704527
Email: h.berjas@ejab.com.sa

Egypt

RBEG-LLC
22 Kamal Eldin Hussein

Sheraton Heliopolis
11799 Cairo
E-mail: boschegypt.powertools@eg.bosch.com

Iran

Robert Bosch Iran
3rd Floor, No 3, Maadiran Building
Aftab St., Khodami St., Vanak Sq.
Tehran 1994834571
Phone: +9821- 86092057

Iraq

Sahba Technology Group
Al Muthana airport road
Baghdad
Phone Bagdad: +964 (0) 7 901 930366
Phone Dubai: +971 (0) 4 422 1898
Email: duraid@sahbatechnology.com

Jordan

Roots Arabia – Jordan
Al-Hurriyah Street, Al-Muqabalein
Amman 11623, Jordan
P.O. Box: 110068
Tel. : +962 6 4398990
E-mail: bosch@rootsjordan.com

Kuwait

Shuwaikh Industrial Area, Block 1, Plot 16, Street 3rd
P.O. Box 164 – Safat 13002
Phone: +965 - 2496 88 88
Fax: +965 - 2481 08 79
E-mail: josephkr@aaalmutawa.com

Lebanon

Tehini Hana & Co. S.A.R.L.
P.O. Box 90-449
Jdeideh 1202 2040
Dora-Beirut
Phone: +9611255211
Email: service-pt@tehini-hana.com

Libya

El Naser for Workshop Tools
Swanee Road, Alfalah Area
Tripoli
Phone: +218 21 4811184

Oman

Malatan Trading & Contracting LLC
P.O. Box 131, Ruwi, Muscat
Postal Code: 112, Sultanate of Oman
Phone: +968 2479 4035/4089/4901
Mob: +968-91315465
Fax: +968 2479 4058
E-Mail: sudhirkumar@malatan.net

Qatar

International Construction Solutions W L L
P. O. Box 51, Doha
Phone: +974 40065458
Fax: +974 4453 8585
Email: csd@icsdoha.com

Saudi Arabia

Juffali Technical Equipment Co. (JTECO)
P.O.Box: 1049 – Jeddah 21431 – KSA
Jeddah: 00966 (0) 12 692 0770 – Ext 433
Riyadh: 00966 (0) 11 409 3976 – Ext-30/34/39
Dammam: 00966 (0) 13 833 9565
E-mail: M.Zreik@eajb.com.sa

Syria

Dallal Establishment for Power Tools
Damascus. Baramkeh street - Ibn Amer street,
Phone: +963112241006 or 009631122414009
Mobile: 00963991141005
Email: rita.dallal@hotmail.com

United Arab Emirates

Central Motors & Equipment,
P.O. Box 26255, Dubai
Dubai: 00971 (0) 4 3090920/3090930
Abu Dhabi: 00971 (0) 2 4017745
Sharjah: 00971 (0) 6 5932777
Al Ain: 00971 (0) 3 7157419
E- Mail: Mallappa.Madari@centralmotors.ae

Yemen

Abu Alrejal Trading Corporation
P.O. Box : 17024 , Zubeiry St.
Sana'a, Yemen
Tel: +967-1-20 20 10
Fax: +967-1-47 19 17
E-mail: tech-tools@abualrejal.com/yahya@abualrejal.com

Ethiopia

Forever plc
Kebele 2,754, BP 4806,
Addis Ababa
Phone: +251 111 560 600
Email: foreverplc@ethionet.et

Ghana

Robert Bosch Ghana Limited
21 Kofi Annan Road Airport Residential Area Accra
Tel. +233 (0)3027 94616

Kenya

Robert Bosch East Africa Ltd
Mpaka Road P.O. Box 856
00606 Nairobi

Nigeria

Robert Bosch Nigeria Ltd.
52-54 Isaac John Street P.O. Box
GRA Ikeja – Lagos

Tanzania

Diesel & Autoelectric Service Ltd.
117 Nyerere Rd., P.O. Box 70839
Vingunguti 12109, Dar Es Salaam
Phone: +255 222 861 793/794

Australia, New Zealand and Pacific Islands

Robert Bosch Australia Pty. Ltd.
Power Tools
Locked Bag 66

Clayton South VIC 3169
Customer Contact Center
Inside Australia:
Phone: (01300) 307044
Fax: (01300) 307045
Inside New Zealand:
Phone: (0800) 543353
Fax: (0800) 428570
Outside AU and NZ:
Phone: +61 3 95415555
www.bosch-pt.com.au
www.bosch-pt.co.nz

Republic of South Africa
Customer service
Hotline: (011) 6519600

Gauteng – BSC Service Centre
35 Roper Street, New Centre
Johannesburg
Tel.: (011) 4939375
Fax: (011) 4930126
E-Mail: bsctools@icon.co.za

KZN – BSC Service Centre
Unit E, Almar Centre
143 Crompton Street
Pinetown
Tel.: (031) 7012120
Fax: (031) 7012446
E-Mail: bsc.dur@za.bosch.com

Western Cape – BSC Service Centre
Democracy Way, Prosperity Park
Milnerton
Tel.: (021) 5512577
Fax: (021) 5513223
E-Mail: bsc@zsd.co.za

Bosch Headquarters
Midrand, Gauteng
Tel.: (011) 6519600
Fax: (011) 6519880
E-Mail: rbsa-hq.pts@za.bosch.com

Armenia, Azerbaijan, Georgia
Robert Bosch Ltd.
David Agmashenebeli ave. 61
0102 Tbilisi, Georgia
Tel. +995322510073
www.bosch.com

Kyrgyzstan, Mongolia, Tajikistan, Turkmenistan, Uzbekistan
TOO "Robert Bosch" Power Tools, After Sales Service
Muratbaev Ave., 180
050012, Almaty, Kazakhstan
Service Email: service.pt.ka@bosch.com
Official Website: www.bosch.com, www.bosch-pt.com

Disposal

The power tool, accessories and packaging should be recycled in an environmentally friendly manner.



Do not dispose of power tools along with household waste.

中文

安全规章

电动工具通用安全警告

警告！ 阅读所有警告和所有说明！不遵照以下警告和说明会导致电击、着火和/或严重伤害。

保存所有警告和说明书以备查阅。

在所有下列的警告中术语“电动工具”指市电驱动（有线）电动工具或电池驱动（无线）电动工具。

工作场地的安全

- ▶ 保持工作场地清洁和明亮。混乱和黑暗的场地会引发事故。
- ▶ 不要在易爆环境，如有易燃液体、气体或粉尘的环境下操作电动工具。电动工具产生的火花会点燃粉尘或气体。
- ▶ 让儿童和旁观者离开后操作电动工具。注意力不集中会使操作者失去对工具的控制。

电气安全

- ▶ 电动工具插头必须与插座相配。绝不能以任何方式改装插头。需接地的电动工具不能使用任何转换插头。未经改装的插头和相配的插座将减少电击危险。
- ▶ 避免人体接触接地表面，如管道、散热片和冰箱。如果你身体接地会增加电击危险。
- ▶ 不得将电动工具暴露在雨中或潮湿环境中。水进入电动工具将增加电击危险。
- ▶ 不得滥用电线。绝不能用电线搬运、拉动电动工具或拔出其插头。使电线远离热源、油、锐边或运动部件。受损或缠绕的软线会增加电击危险。
- ▶ 当在户外使用电动工具时，使用适合户外使用的外接软线。适合户外使用的软线将减少电击危险。
- ▶ 如果在潮湿环境下操作电动工具是不可避免的，应使用剩余电流动作保护器（RCD）。使用RCD可减小电击危险。

人身安全

- ▶ 保持警觉，当操作电动工具时关注所从事的操作并保持清醒。当你感到疲倦，或在有药物、酒精或治疗反应时，不要操作电动工具。在操作电动工具时瞬间的疏忽会导致严重人身伤害。
- ▶ 使用个人防护装置。始终佩戴护目镜。安全装置，诸如适当条件下使用防尘面具、防滑安全鞋、安全帽、听力防护等装置能减少人身伤害。
- ▶ 防止意外启动。确保开关在连接电源和/或电池盒、拿起或搬运工具时处于关断位置。手指放在

已接通电源的开关上或开关处于接通时插入插头可能会导致危险。

- ▶ 在电动工具接通之前，拿掉所有调节钥匙或扳手。遗留在电动工具旋转零件上的扳手或钥匙会导致人身伤害。
- ▶ 手不要伸展得太长。时刻注意立足点和身体平衡。这样在意外情况下能很好地控制电动工具。
- ▶ 着装适当。不要穿宽松衣服或佩戴饰品。让衣服、手套和头发远离运动部件。宽松衣服、配饰或长发可能会卷入运动部件中。
- ▶ 如果提供了与排屑、集尘设备连接用的装置，要确保他们连接完好且使用得当。使用这些装置可减少尘屑引起的危险。
- ▶ 即使由于经常使用电动工具而对此非常熟悉，也不要就认为可以高枕无忧而忽略工具的安全规定。粗心大意的行为可能在瞬间就造成严重的伤害。

电动工具使用和注意事项 电动工具使用和注意事项

- ▶ 不要滥用电动工具，根据用途使用适当的电动工具。选用适当设计的电动工具会使你工作更有效、更安全。
- ▶ 如果开关不能接通或关断工具电源，则不能使用该电动工具。如果开关不能接通或关断工具电源，则不能使用该电动工具。
- ▶ 在进行任何调节、更换附件或贮存电动工具之前，必须从电源上拔掉插头和/或使电池盒与工具脱开。这种防护性措施将减少工具意外起动的危险。
- ▶ 将闲置不用的电动工具贮存在儿童所及范围之外，并且不要让不熟悉电动工具或对这些说明不了解的人操作电动工具。电动工具在未经培训的用户手中是危险的。
- ▶ 保养电动工具。检查运动件是否调整到位或卡住，检查零件破损情况和影响电动工具运行的其他状况。如有损坏，电动工具应在使用前修理好。许多事故由维护不良的电动工具引发。
- ▶ 保持切削刀具锋利和清洁。保养良好的有锋利切削刃的刀具不易卡住而且容易控制。
- ▶ 按照使用说明书，考虑作业条件和进行的作业来使用电动工具、附件和工具的刀头等。将电动工具用于那些与其用途不符的操作可能会导致危险。
- ▶ 保持手柄和握持表面干燥、清洁、无油污。在突发情况下，滑溜的手柄和握持表面无法确保安全地握持和控制工具。

维修

- ▶ 将电动工具用于那些与其用途不符的操作可能会导致危险。这样将确保所维修的电动工具的安全性。

咬钳安全规章

- ▶ 本电动工具不适合固定式应用。例如不允许夹在虎钳上或固定在工作台上。
- ▶ 操作时请戴上手套，而且要特别注意电线。经过切剪的金属板上会出现锋利的毛边。此利缘可能割伤您或割损电线。

产品和性能说明



请阅读所有安全规章和指示。不遵照以下警告和说明可能导致电击、着火和/或严重伤害。

请注意本使用说明书开头部分的图示。

按照规定使用

本电动工具可以在材料不变形的情况下切割金属板，适用于直锯、开孔和锯切狭小的弯角。

插图上的机件

机件的编号和电动工具详解图上的编号一致。

- (1) 电源开关
- (2) 模具的锁紧螺母
- (3) 模具的固定螺丝
- (4) 模具
- (5) 冲头
- (6) 用于固定冲头的空心螺丝

技术参数

剪板机		GNA 2.0
物品代码		0 601 530 1..
额定输入功率	瓦	500
输出功率	瓦	270
空载转速 n_0	min^{-1}	2400
负载冲击次数	min^{-1}	1500
金属板的最大切剪厚度 ^{A)}	毫米	2.0
剪轨宽度	毫米	6
最小曲线半径	毫米	3
重量符合 EPTA-Procedure 01:2014	千克	2.0
保护等级		□/II

A) 针对400牛顿/平方毫米以下的钢板

所有参数适用于230伏的额定电压[U]，对于其他不同的电压和国际规格，数据有可能不同。

运行

投入使用

- ▶ 注意电源电压！电源的电压必须和电动工具铭牌上标示的电压一致。标记为230伏电动工具用220伏的电压可以驱动。

电源开关

接通电动工具时，需要向前推动电源开关(1)，使开关上出现I符号。

关闭电动工具时，需要向后推动电源开关(1)，使开关上出现O符号。

锁定/松开模具

直锯时，请用内六角扳手（扳手开口度2.5毫米）拧紧固定螺丝(3)以锁定模具(4)。

锯切弯角时，请松开固定螺丝(3)。现在，模具(4)可以自由移动，并朝着进给力方向调整。

工作提示

- ▶ 在电动工具上进行所有操作之前都必须从插座上拔出电源插头。
- ▶ 本电动工具不适合固定式应用。例如不允许夹在虎钳上或固定在工作台上。
- ▶ 操作时请戴上手套，而且要特别注意电线。经过切剪的金属板上会出现锋利的毛边。此利缘可能割伤您或割损电线。
- ▶ 请小心处理切屑。切屑的尖端非常锋利，容易被割伤。

开动电动工具后再把工具放在工件上加工。电动工具必须和金属板表面垂直。握好工具，勿让工具倾斜。

本机器是靠着冲头向前移动来进行切剪的动作。所以操作电动工具时必须施力均匀，并朝着切割方向轻轻推动。推动电动工具时如果用力过猛，不但会明显降低电动工具的使用寿命，而且还可能损坏电动工具。

切剪时如果冲头被夹住了，先关闭电动工具，在冲头上涂抹油脂并解除金属片上的张力。千万不可以强行拔出冲头，这样会损坏冲头和模具。

金属板的最大切剪厚度

金属板的最大切剪厚度 d_{\max} 取决于待加工材料的强度。

本电动工具能够切剪下列厚度的金属板：

物料	最大强度 (牛顿/平方毫米)	d_{\max} (毫米)
钢	400	2.0
	600	1.4
	800	1.0
铝	200	2.5

润滑/冷却冲头

为延长冲头(5)的使用寿命，您需要使用带冷却功能的润滑剂（例如切割油）。

将润滑剂沿着计划好的切线涂覆在金属板表面。

长时间工作或高强度工作时（例如切割铝材），需定期将切割工具浸在装满润滑剂的容器中。

沿着切剪线或靠着模板切剪

如果沿着直尺移动电动工具，则直锯将变得更容易。

沿着模板推进电动工具可以切剪轮廓。

内部开孔时，需要预钻出直径为**16毫米**的孔。

维修和服务

维护和清洁

- ▶ 在电动工具上进行所有操作之前都必须从插座上拔出电源插头。
- ▶ 电动工具和通气孔必须随时保持清洁，以确保工作效率和工作安全。

如果必须更换连接线，务必把这项工作交给Bosch或者经授权的Bosch电动工具顾客服务执行，以避免危害机器的安全性能。

每运行三个小时需清洁和润滑冲头(5)和模具(4)。

及时更换已经磨损的冲头和模具。锋利的工具才能提高切剪效果，并且可以保护电动工具。

不允许修磨冲头(5)和模具(4)。

更换模具

在模具(4)锁定的情况下，松开固定螺丝(3)。

通过开口扳手（扳手开口度30毫米）旋下锁紧螺母(2)。拉下模具(4)。

装入已润滑的新模具(4)。重新拧紧锁紧螺母(2)。

更换冲头

如上所述拆下模具(4)，以便更换冲头(5)。

然后旋下空心螺丝(6)，拆下冲头(5)。

装入已润滑的新冲头(5)，并用空心螺丝(6)将其拧紧。按照上述说明，再次固定模具(4)。

附件/备件

模具（通用）	2 608 639 900
冲头：	
- 用于锯弯角	2 608 639 013
- 用于直锯	2 608 639 016
- 通用	2 608 639 022
用于最厚不超过1.2毫米的瓦楞板和型板：	
- 模具	2 608 639 021
- 组件（冲头/模具）	2 608 639 902

客户服务和应用咨询

本公司顾客服务处负责回答有关本公司产品的修理、维护和备件的问题。备件的展开图纸和信息也可查看：www.bosch-pt.com

博世应用咨询团队乐于就我们的产品及其附件问题提供帮助。

询问和订购备件时，务必提供机器铭牌上标示的10位数物品代码。

香港和澳门特别行政区

罗伯特博世有限公司

香港北角英皇道625号，21楼

客户服务热线：+852 2101 0235

传真：+852 2590 9762

电子邮件：info@hk.bosch.com

www.bosch-pt.com.hk

中国大陆
 博世电动工具（中国）
 有限公司 中国 浙江省 杭州市
 滨江区 滨康路567号
 102/1F 服务中心
 邮政编码：310052
 电话：(0571)8887 5566 / 5588
 传真：(0571)8887 6688 x 5566# / 5588#
 电邮：bsc.hz@cn.bosch.com
 www.bosch-pt.com.cn

制造商地址：

Robert Bosch Power Tools GmbH
 罗伯特·博世电动工具有限公司
 70538 Stuttgart / GERMANY
 70538 斯图加特 / 德国

处理废弃物

必须符合环保要求的方式回收再利用电动工具、附件和包装材料。



请勿将电动工具扔到生活垃圾中！

繁體中文

安全注意事項

電動工具一般安全注意事項

警告 請詳讀工作臺及電動工具的所有安全警告與使用說明。若不遵照以下列出的指示，將可能導致電擊、著火和 / 或人員重傷。

保存所有警告和說明書以備查閱。

在所有警告中，「電動工具」此一名詞泛指：以市電驅動的（有線）電動工具或是以電池驅動的（無線）電動工具。

工作場地的安全

- ▶ 保持工作場地清潔和明亮。混亂和黑暗的場地會引發事故。
- ▶ 不要在易爆環境，如有易燃液體、氣體或粉塵的環境下操作電動工具。電動工具產生的火花會點燃粉塵或氣體。
- ▶ 讓兒童和旁觀者離開後操作電動工具。注意力不集中會使您失去對工具的控制。

電氣安全

- ▶ 電動工具插頭必須與插座相配。絕不能以任何方式改裝插頭。需接地的電動工具不能使用任何轉換插頭。未經改裝的插頭和相配的插座將減少電擊危險。
- ▶ 避免人體接觸接地表面，如管道、散熱片和冰箱。如果您身體接地會增加電擊危險。

- ▶ 不得將電動工具暴露在雨中或潮濕環境中。水進入電動工具將增加電擊危險。
- ▶ 不得濫用電線。絕不能用電線搬運、拉動電動工具或拔出其插頭。使電線遠離熱源、油、銳利邊緣或移動零件。受損或纏繞的軟線會增加電擊危險。
- ▶ 當在戶外使用電動工具時，使用適合戶外使用的延長線。適合戶外使用的軟線，將減少電擊危險。
- ▶ 如果在潮濕環境下操作電動工具是不可避免的，應使用剩餘電流動作保護器（RCD）。使用RCD可降低電擊危險。

人身安全

- ▶ 保持警覺，當操作電動工具時關注所從事的操作並保持清醒。當您感到疲倦，或在有藥物、酒精或治療反應時，不要操作電動工具。在操作電動工具時瞬間的疏忽會導致嚴重人身傷害。
- ▶ 使用個人防護裝置。始終佩戴護目鏡。安全裝置，諸如適當條件下使用防塵面具、防滑安全鞋、安全帽、聽力防護等裝置能減少人身傷害。
- ▶ 防止意外起動。確保開關在連接電源和 / 或電池盒、拿起或搬運工具時處於關閉位置。手指放在已接通電源的開關上或開關處於接通時插入插頭可能會導致危險。
- ▶ 在電動工具接通之前，拿掉所有調節鑰匙或扳手。遺留在電動工具旋轉零件上的扳手或鑰匙會導致人身傷害。
- ▶ 手不要伸展得太長。時刻注意立足點和身體平衡。這樣在意外情況下能很好地控制電動工具。
- ▶ 著裝適當。不要穿寬鬆衣服或佩戴飾品。讓您的衣物及頭髮遠離運動部件。寬鬆衣服、佩飾或長髮可能會捲入運動部件中。
- ▶ 如果提供了與排屑、集塵設備連接用的裝置，要確保他們連接完好且使用得當。使用這些裝置可減少塵屑引起的危險。
- ▶ 切勿因經常使用工具所累積的熟練感而過度自信，輕忽工具的安全守則。任何一個魯莽的舉動都可能瞬間造成人員重傷。

電動工具使用和注意事項

- ▶ 不要濫用電動工具，根據用途使用適當的電動工具。選用適當設計的電動工具會使您工作更有效、更安全。
- ▶ 如果開關不能開啟或關閉工具電源，則不能使用該電動工具。不能用開關來控制的電動工具是危險的且必須進行修理。
- ▶ 在進行任何調整、更換配件或貯存電動工具之前，必須從電源上拔掉插頭並 / 或取出電池盒。這種防護性措施將減少工具意外起動的危險。
- ▶ 將閒置不用的電動工具貯存在兒童所及範圍之外，並且不要讓不熟悉電動工具或對這些說明不瞭解的人操作電動工具。電動工具在未經培訓的用戶手中是危險的。
- ▶ 保養電動工具與配備。檢查運動件是否調整到位或卡住，檢查零件破損情況和影響電動工具運行的其他狀況。如有損壞，電動工具應在使用前修理好。許多事故由維護不良的電動工具引發。

- ▶ 保持切削刀具鋒利和清潔。保養良好的有鋒利切削刃的刀具不易卡住而且容易控制。
- ▶ 按照使用說明書，考慮作業條件和進行的作業來使用電動工具、配件和工具的头頭等。將電動工具用於那些與其用途不符的操作可能會導致危險。
- ▶ 把手及握持區應保持乾燥、潔淨，且不得沾染任何油液或油脂。易滑脫的把手及握持區將無法讓您在發生意外狀況時安全地抓緊並控制工具。

檢修

- ▶ 將您的電動工具送交專業維修人員，必須使用同樣的備件進行更換。這樣將確保所維修的電動工具的安全性。

電衝剪的安全注意事項

- ▶ 本電動工具並不適用於以不移動的方式進行加工。不得將它夾入老虎鉗或固定在工作桌上。
- ▶ 工作期間請戴上防護手套並且請您特別留意電源線。剪下來的鐵片有尖銳的鐵刺。這些鐵刺可能割傷您或割壞電線。

產品和功率描述



請詳讀所有安全注意事項和指示。如未遵守安全注意事項與指示，可能導致火災、人員遭受電擊及 / 或重傷。

請留意操作說明書中最前面的圖示。

依規定使用機器

本電動工具適合剪切金屬板，剪切後工件不會變形。本機器可以剪切直線，挖孔以及進行弧形剪切。

插圖上的機件

機件的編號和電動工具詳解圖上的編號一致。

- (1) 起停開關
- (2) 模具的鎖緊螺母
- (3) 模具的止付螺栓
- (4) 模具
- (5) 衝頭
- (6) 固定衝頭的空心螺栓

技術性數據

電衝剪	GNA 2,0	
產品機號		0 601 530 1..
額定輸入功率	W	500
輸出功率	W	270
無負載轉速 n_0	min^{-1}	2400
負載衝擊次數	min^{-1}	1500
可剪切的 ^{A)} 最大金屬板厚度	mm	2.0
剪痕寬度	mm	6
最小曲線半徑	mm	3

電衝剪	GNA 2,0	
重量符合 EPTA-Procedure 01:2014	kg	2.0
絕緣等級		□/II

A) 針對 400 N/mm² 的鋼板
本說明書提供的參數是以 230 伏特為依據，於低電壓地區，此數據有可能不同。

操作

操作機器

- ▶ 請注意電源電壓！電源的電壓必須和電動工具銘牌上標示的電壓一致。標示為 230 V 的電動工具亦可接上 220 V 電源。

啟動 / 關閉

若要啟動電動工具，請將起停開關 (1) 往前推，此時開關上會出現 I 符號。

若要關閉電動工具，請將起停開關 (1) 往後推，此時開關上會出現 0 符號。

鎖定 / 鬆開模具

進行直線剪切時，請用內六角扳手（開口寬度 2.5 mm）將止付螺栓 (3) 旋緊，以固定模具 (4) 的位置。

鬆開止付螺栓 (3) 以便進行弧形剪切。於是現在模具 (4) 即可自由活動，能夠配合推力方向調整位置。

作業注意事項

- ▶ 維修電動工具或換裝零、配件之前，務必從插座上拔出插頭。
- ▶ 本電動工具並不適用於以不移動的方式進行加工。不得將它夾入老虎鉗或固定在工作桌上。
- ▶ 工作期間請戴上防護手套並且請您特別留意電源線。剪下來的鐵片有尖銳的鐵刺。這些鐵刺可能割傷您或割壞電線。
- ▶ 處理切屑時，請務必小心。切屑的尖端非常鋒利，容易被割傷。

先啟動電動工具後再把它放置在工件上切割。握持本電動工具時，它始終應與金屬板表面保持垂直，請勿傾斜。

本機器是靠著衝頭向前移動來進行剪切的動作。所以操作機器時必須施力均勻，並朝著切割方向輕輕推動工具。操作機器時如果推力過猛會縮短鋸片的使用壽命，並且造成電動工具損壞。

剪切時如果衝頭被夾住了，請先關閉電動工具，然後在衝頭上塗抹潤滑油並且解開金屬板。千萬不可以強行拔出衝頭，這樣會損壞衝頭和模具。

可剪切的^{A)}最大金屬板厚度

可剪切的^{A)}最大金屬板厚度 d_{max} 需視欲加工之材料的強度而定。

本電動工具能夠剪切下列各種厚度的金屬板：

14 | 한국어

材料	最大強度 (N/mm ²)	d _{max} (mm)
鋼材	400	2.0
	600	1.4
	800	1.0
鋁材	200	2.5

潤滑 / 冷卻衝頭

若想延長衝頭 (5) 的使用壽命，您應在其上塗抹冷卻效果極佳的潤滑劑（比如切削油）。

請沿著金屬板上面預計的裁切線抹上潤滑劑。

長時間加工時或進行會磨蝕比例較高的作業時（比如剪切鋁材時），您應固定每隔一段時間將嵌件工具浸入裝有潤滑劑的容器內。

沿著剪切線或靠著模板剪切

直線剪切比較容易，只要沿著剪切線推進電動工具即可。

沿著模板推進電動工具可以剪切特殊輪廓。

在材料中間進行挖孔時，必須先預鑽出一個直徑 16 mm 的孔洞。

維修和服務

維修和清潔

- ▶ 維修電動工具或換裝零、配件之前，務必從插座上拔出插頭。
- ▶ 電動工具和通風口都必須保持清潔，這樣才能夠提高工作品質和安全性。

如果必須更換連接線，請務必交由 **Bosch** 或者經授權的 **Bosch** 電動工具顧客服務執行，以避免危害機器的安全性能。

工作時數每達 3 小時後，請清潔衝頭 (5) 和模具 (4) 然後再為其上油。

請及時更換已經磨損的衝頭和模具。使用鋒利的工具才能確保良好的剪切效果，並且可以保護電動工具。

衝頭 (5) 和模具 (4) 不得重新打磨。

更換模具

請在模具 (4) 固定的狀態下鬆開止付螺栓 (3)。請用開口扳手（開口寬度 30 mm）旋出鎖緊螺母 (2)。拔下模具 (4)。

裝入已充份上油的全新模具 (4)。將鎖緊螺母 (2) 重新旋緊。

更換衝頭

若要更換衝頭 (5) 請按上述方式拆除模具 (4)。

然後再將空心螺栓 (6) 旋下，並取出衝頭 (5)。

裝入已充份上油的全新衝頭 (5) 並旋緊空心螺栓 (6) 以便固定衝頭。請按上述方式固定模具 (4)。

配件 / 備用零件

模具 (通用)	2 608 639 900
衝頭:	

- 適用於弧形剪切	2 608 639 013
- 適用於直線剪切	2 608 639 016
- 通用	2 608 639 022
適用於厚度 1.2 mm 以下的金屬波浪板以及金屬異型材:	
- 模具	2 608 639 021
- 完整套件 (衝頭 / 模具)	2 608 639 902

顧客服務處和顧客諮詢中心

本公司顧客服務處負責回答有關本公司產品的維修、維護和備用零件的問題。以下的網頁中有分解圖和備用零件相關資料: www.bosch-pt.com

如果對本公司產品及其配件有任何疑問，博世應用諮詢小組很樂意為您提供協助。

當您需要諮詢或訂購備用零件時，請務必提供本產品型號銘牌上 10 位數的產品機號。

中國香港和澳門特別行政區

羅伯特·博世有限公司
香港北角英皇道625號21樓
客戶服務熱線: +852 2101 0235
傳真: +852 2590 9762
電子郵件: info@hk.bosch.com
www.bosch-pt.com.hk

台灣

台灣羅伯特博世股份有限公司
建國北路一段90號6樓
台北市10491
電話: (02) 7734 2588
傳真: (02) 2516 1176
www.bosch-pt.com.tw

制造商地址:

Robert Bosch Power Tools GmbH
羅伯特·博世電動工具有限公司
70538 Stuttgart / GERMANY
70538 斯圖加特/ 德國

廢棄物處理

必須以符合環保的方式，回收再利用損壞的機器、配件和廢棄的包裝材料。



不可以把電動工具丟入一般的家庭垃圾中。

한국어

안전 수칙

전동공구 일반 안전 수칙

⚠ 경고 본 전동공구와 함께 제공된 모든 안전경고, 지시사항, 그림 및 사양을 숙지하십시오. 다음의 지시 사항을 준수하십시오.

지 않으면 감전, 화재, 또는 심각한 부상을 초래할 수 있습니다.

앞으로 참고할 수 있도록 이 안전수칙과 사용 설명서를 잘 보관하십시오.

다음에서 사용되는 "전동공구"라는 개념은 전원에 연결하여 사용하는 (전선이 있는) 전동 기기나 배터리를 사용하는 (전선이 없는) 전동 기기를 의미합니다.

작업장 안전

- ▶ **작업장을 항상 깨끗이 하고 조명을 밝게 하십시오.** 작업장 환경이 어수선하거나 어두우면 사고를 초래할 수 있습니다.
- ▶ **가연성 유체, 가스 또는 분진이 있어 폭발 위험이 있는 환경에서 전동공구를 사용하지 마십시오.** 전동공구는 분진이나 증기에 점화하는 스파크를 일으킬 수 있습니다.
- ▶ **전동공구를 사용할 때 구경꾼이나 어린이 혹은 다른 사람이 작업장에 접근하지 못하게 하십시오.** 다른 사람이 주의를 산만하게 하면 기기에 대한 통제력을 잃기 쉽습니다.

전기에 관한 안전

- ▶ **전동공구의 전원 플러그가 전원 콘센트에 잘 맞아야 합니다.** 플러그를 절대 변경시켜서는 안 됩니다. (접지된) 전동공구를 사용할 때 어댑터 플러그를 사용하지 마십시오. 변형되지 않은 플러그와 잘 맞는 콘센트를 사용하면 감전의 위험을 줄일 수 있습니다.
- ▶ **파이프 관, 라디에이터, 레인지, 냉장고와 같은 접지 표면에 몸이 닿지 않도록 하십시오.** 몸에 닿을 경우 감전될 위험이 높습니다.
- ▶ **전동공구를 비에 맞지 않게 하고 습기 있는 곳에 두지 마십시오.** 전동공구에 물이 들어가면 감전될 위험이 높습니다.
- ▶ **전원 코드를 잘못 사용하는 일이 없도록 하십시오.** 전원 코드를 잡고 전동공구를 운반해서는 안 되며, 콘센트에서 전원 플러그를 뽑을 때 전원 코드를 잡아 당겨서는 절대로 안 됩니다. 전원 코드가 열과 오일에 접촉하는 것을 피하고, 날카로운 모서리나 기기의 가동 부위에 닿지 않도록 주의 하십시오. 손상되거나 영킹 전원 코드는 감전을 유발할 수 있습니다.
- ▶ **실외에서 전동공구로 작업할 때는 실외용으로 적당한 연장 전원 코드만을 사용하십시오.** 실외용 연장 전원 코드를 사용하면 감전의 위험을 줄일 수 있습니다.
- ▶ **전동공구를 습기 찬 곳에서 사용해야 할 경우에는 누전 차단기를 사용하십시오.** 누전 차단기를 사용하면 감전 위험을 줄일 수 있습니다.

사용자 안전

- ▶ **신중하게 작업하며, 전동공구를 사용할 때 경솔하게 행동하지 마십시오.** 피로한 상태이거나 약물 복용 및 음주한 후에는 전동공구를 사용하지 마십시오. 전동공구를 사용할 때 잠시라도 주의가 산만해지면 충상을 입을 수 있습니다.
- ▶ **작업자 안전을 위한 장치를 사용하십시오.** 항상 보안경을 착용하십시오. 전동공구의 종류와 사

용에 따라 먼지 보호 마스크, 미끄러지지 않는 안전화, 안전모 또는 귀마개 등의 안전한 복장을 하면 상해의 위험을 줄일 수 있습니다.

- ▶ **실수로 기기가 작동되지 않도록 주의하십시오.** 전동공구를 전원에 연결하거나 배터리를 끼우기 전에, 혹은 기기를 들거나 운반하기 전에, 전원 스위치가 꺼져 있는지 다시 확인하십시오. 전동공구를 운반할 때 전원 스위치에 손가락을 대거나 전원 스위치가 켜진 상태에서 전원을 연결하면 사고 위험이 높습니다.
- ▶ **전동공구를 사용하기 전에 조절하는 톨이나 키등을 빼 놓으십시오.** 회전하는 부위에 있는 톨이나 키로 인해 상처를 입을 수 있습니다.
- ▶ **자신을 과신하지 마십시오.** 불안정한 자세를 피하고 항상 평형을 이룬 상태로 작업하십시오. 안정된 자세와 평형한 상태로 작업해야만이 의외의 상황에서도 전동공구를 안전하게 사용할 수 있습니다.
- ▶ **알맞은 작업복을 입으십시오.** 헐렁한 복장을 하거나 장신구를 착용하지 마십시오. 머리카락이 가동하는 기기 부위에 가까이 닿지 않도록 주의 하십시오. 헐렁한 복장, 장신구 혹은 긴 머리는 가동 부위에 말려 사고를 초래할 수 있습니다.
- ▶ **분진 추출장치나 수거장치의 조립이 가능한 경우, 이 장치가 연결되어 있는지, 제대로 작동이 되는지 확인하십시오.** 이러한 분진 추출장치를 사용하면 분진으로 인한 사고 위험을 줄일 수 있습니다.
- ▶ **톨을 자주 사용한다고 해서 안주하는 일이 없게 하고 공구의 안전 수칙을 무시하지 않도록 하십시오.** 부주의하게 취급하여 순간적으로 심각한 부상을 입을 수 있습니다.

전동공구의 올바른 사용과 취급

- ▶ **기기를 과부하 상태에서 사용하지 마십시오.** 작업할 때 이에 적당한 전동공구를 사용하십시오. 알맞은 전동공구를 사용하면 지정된 성능 한도 내에서 더 효율적으로 안전하게 작업할 수 있습니다.
- ▶ **전원 스위치가 고장 난 전동공구를 사용하지 마십시오.** 전원 스위치가 작동되지 않는 전동공구는 위험하므로, 반드시 수리를 해야 합니다.
- ▶ **전동공구를 조정하거나 액세서리 부품 교환 혹은 공구를 보관할 때, 항상 전원 콘센트에서 플러그를 미리 빼어 놓거나 배터리를 분리하십시오.** 이러한 조치는 실수로 전동공구가 작동하게 되는 것을 예방합니다.
- ▶ **사용하지 않는 전동공구는 어린이 손이 닿지 않는 곳에 보관하고, 전동공구 사용에 익숙지 않거나 이 사용 설명서를 읽지 않은 사람은 기기를 사용해서는 안됩니다.** 경험이 없는 사람이 전동공구를 사용하면 위험합니다.
- ▶ **전동공구 및 액세서리를 조심스럽게 관리하십시오.** 가동 부위가 하자 없이 정상적인 기능을 하는지, 걸리는 부위가 있는지, 혹은 전동공구의 기능에 중요한 부품이 손상되지 않았는지 확인하십시오. 손상된 기기의 부품은 전동공구를 다시 사용하기 전에 반드시 수리를 맡기십시오. 제대로 관

리하지 않은 전동공구의 경우 많은 사고를 유발합니다.

- ▶ **절단 공구를 날카롭고 깨끗하게 관리하십시오.** 날카로운 절단면이 있고 잘 관리된 절단공구는 걸리는 경우가 드물고 조절하기도 쉽습니다.
- ▶ **전동공구, 액세스리, 장착하는 공구 등을 사용할 때, 이 지시 사항과 특별히 기종 별로 나와있는 사용 방법을 준수하십시오.** 이때 작업 조건과 실시 하려는 작업 내용을 고려하십시오. 원래 사용 분 야가 아닌 다른 작업에 전동공구를 사용할 경우 위험한 상황을 초래할 수 있습니다.
- ▶ **손잡이 및 잡는 면을 건조하게 유지하고, 오일 및 그리스가 묻어 있지 않도록 깨끗하게 하십시오.** 손잡이 또는 잡는 면이 미끄러우면 예상치 못한 상황에서 안전한 취급 및 제어가 어려워집니다.

서비스

- ▶ **전동공구 수리는 반드시 전문 인력에게 맡기고, 수리 정비 시 보쉬 순정 부품만을 사용하십시오.** 그렇게 함으로써 기기의 안전성을 오래 유지할 수 있습니다.

니블러용 안전수칙

- ▶ **본 전동공구는 고정시켜 작업하는 용도로는 적합 하지 않습니다.** 예를 들어 바이스에 고정시키거나 작업 거치대에 고정시켜 사용할 수 없습니다.
- ▶ **작업할 때 보호 장갑을 착용하고 특히 전원 케이블에 주의하십시오.** 절단하는 금속판에 날카로운 모서리가 생겨 여기에 다치거나 전원 케이블이 손상될 수 있습니다.

제품 및 성능 설명



모든 안전 수칙과 지침을 숙지하십시오. 다음의 안전 수칙과 지침을 준수하지 않으면 화재 위험이 있으며 감전 혹은 중상을 입을 수 있습니다.

사용 설명서 앞 부분에 제시된 그림을 확인하십시오.

규정에 따른 사용

본 전동공구는 자체 변형 없이 금속판을 절단하는 용도로 사용되며, 직선 및 굽곡선 혹은 오려내기 작업을 하기에 적합합니다.

제품의 주요 명칭

제품의 주요 명칭에 표기되어 있는 번호는 기기 그림이 나와있는 면을 참고하십시오.

- (1) 전원 스위치
- (2) 다이오 스크류캡
- (3) 다이오 잠금 나사
- (4) 다이
- (5) 편치
- (6) 편치 고정용 나사

제품 사양

니블러		GNA 2.0
제품 번호		0 601 530 1..
소비 전력	W	500
출력	W	270
공회전 스트로크 수 n ₀	min ⁻¹	2400
부하 시 스트로크 수	min ⁻¹	1500
최대 절단 두께 ^{A)}	mm	2.0
절단 폭	mm	6
최소 반경	mm	3
EPTA-Procedure 01:2014에 따른중량	kg	2.0
보호 등급		□/II

A) 강철판 400 N/mm²
 자료는 정격 전압 [U] 230 V를 기준으로 한 것입니다. 전압이 다른 경우 및 국가별 사양에 따라 변동이 있을 수 있습니다.

작동

기계 시동

- ▶ **전원의 전압에 유의하십시오!** 공급되는 전원의 전압은 전동공구의 명판에 표기된 전압과 동일해야 합니다. 230 V 로 표시된 전동공구는 220 V에 서도 작동이 가능합니다.

전원 스위치 작동

전동공구를 **켜려면** 전원 스위치 (1) 를 앞쪽으로 밀어 I 위치에 오게 하십시오.

전동공구를 **끄려면** 전원 스위치 (1) 를 뒤쪽으로 밀어 0 위치에 오게 하십시오.

다이 고정하기/풀기

직선 절단을 하려면 잠금 나사 (3) 를 육각키(렌치 사이즈 2.5 mm)를 이용해 조여 다이 (4) 가 고정되게 하십시오.

곡선 절단을 하려면 잠금 나사 (3) 를 푸십시오. 이렇게 하면 다이 (4) 가 자유롭게 움직이며, 절단 방향으로 향하게 됩니다.

사용 방법

- ▶ **전동공구를 보수 정비하기 전에 반드시 콘센트에서 전원 플러그를 빼십시오.**
- ▶ **본 전동공구는 고정시켜 작업하는 용도로는 적합 하지 않습니다.** 예를 들어 바이스에 고정시키거나 작업 거치대에 고정시켜 사용할 수 없습니다.
- ▶ **작업할 때 보호 장갑을 착용하고 특히 전원 케이블에 주의하십시오.** 절단하는 금속판에 날카로운 모서리가 생겨 여기에 다치거나 전원 케이블이 손상될 수 있습니다.
- ▶ **절단 부스러기 취급 시 주의하십시오.** 금속 부스러기 끝이 날카롭기 때문에 다칠 수 있기 때문입니다.

전동공구는 스위치를 켜 상태에서만 작업물에 가까이 대십시오. 작업할 때 항상 전동공구를 강철판 표면에 수직이 되게 하여 유지하십시오.

편치가 위쪽으로 움직이는 동안 절단이 진행됩니다. 전동공구를 일정하게 가볍게 누르면서 절단 방향으로 움직입니다. 무리하게 밀면서 작업하면 날의 수명이 훨씬 짧아지며 전동공구를 손상시킬 수 있습니다.

절단 작업 시 편치가 걸리게 되면 전동공구의 스위치를 끄고 편치를 원활한 후에 금속판을 빼내십시오. 무리하게 힘을 가하면 편치와 다이가 손상될 수 있습니다.

절단 가능한 최대 금속판 두께

절단 가능한 최대 금속판 두께 d_{max} 는 가공하는 소재의 강도에 따라 달라집니다.

전동공구로 다음 최대 강도까지의 금속판을 절단할 수 있습니다:

작업 소재	최대 강도 (N/mm ²)	d_{max} (mm)
철재	400	2.0
	600	1.4
	800	1.0
알루미늄	200	2.5

편치 원활하기/생각하기

편치 (5)의 수명을 늘리려면, 냉각 기능이 우수한 윤활제 (예: 절삭유)를 사용해야 합니다.

금속판의 윗면에서 예정된 절단 라인에 따라 윤활제를 바르십시오.

장시간 작업하거나 마모가 심한 작업 (예: 알루미늄 절단 작업)을 할 경우 정기적으로 커팅 헤드 부분을 윤활 용기에 담가 두는 것이 좋습니다.

절단 표시 또는 가이드를 사용한 절단 작업

직선형 절단 작업을 할 때 전동공구를 그어진 선을 따라 움직이면 수월합니다.

곡선은 전동공구를 가이드 받침대를 따라 움직여 절단할 수 있습니다.

안쪽 절단 시에는 직경 16 mm의 구멍을 미리 뚫어 놓아야 합니다.

보수 정비 및 서비스

보수 정비 및 유지

▶ 전동공구를 보수 정비하기 전에 반드시 콘센트에서 전원 플러그를 빼십시오.

▶ 안전하고 올바른 작동을 위하여 전동공구와 전동공구의 통풍구를 항상 깨끗이 하십시오.

연결 코드를 교환해야 할 경우 안전을 기하기 위해 Bosch 또는 Bosch 지정 전동공구 서비스 센터에 맡겨야 합니다.

작동할 때 3시간에 한 번씩 편치 (5) 및 다이 (4)를 청소하고 오일을 바르십시오.

날카로운 공구를 사용해야 절단 결과가 좋고 전동공구를 보호할 수 있으므로 마모된 편치와 다이를 적시에 교환해 주어야 합니다.

편치 (5) 및 다이 (4)는 재연마할 수 없습니다.

다이 교환하기

다이 (4)가 고정된 상태에서 잠금 나사 (3)를 푸십시오.

스크류캡 (2)을 스패너 (렌치 사이즈 30 mm)를 이용하여 푸십시오. 다이 (4)를 빼내십시오.

오일이 잘 발린 새로운 다이 (4)를 끼웁니다. 스크류캡 (2)을 다시 조이십시오.

편치 교환하기

편치 (5)를 교환하려면 위에 설명된 바와 같이 다이 (4)를 제거하십시오.

그리고 나사 나사 (6)를 돌려 풀고, 편치 (5)를 제거하십시오.

오일이 잘 발린 새로운 편치 (5)를 끼우고, 나사 (6)를 이용해 조이십시오. 위에 설명된 바와 같이 다이 (4)를 고정시키십시오.

액세서리/부품

다이(범용)	2 608 639 900
편치:	
- 곡선 절단용	2 608 639 013
- 직선 절단용	2 608 639 016
- 범용	2 608 639 022
최대 1.2 mm 두께의 골이 진 금속 판 및 프로파일 금속판:	
- 다이	2 608 639 021
- 세트(편치/다이)	2 608 639 902

AS 센터 및 사용 문의

AS 센터에서는 귀하 제품의 수리 및 보수정비, 그리고 부품에 관한 문의를 받고 있습니다. 대체 부품에 관한 분해 조립도 및 정보는 인터넷에서도 찾아볼 수 있습니다 - www.bosch-pt.com

보수 사용 문의 팀에서는 보수의 제품 및 해당 액세서리에 관한 질문에 기꺼이 답변 드릴 것입니다.

문의나 대체 부품 주문 시에는 반드시 제품 내임 플레이트에 있는 10자리의 부품번호를 알려 주십시오.

콜센터
080-955-0909

처리

기기와 액세서리 및 포장 등은 환경 친화적인 방법으로 재활용 수 있도록 분류하십시오.



전동공구를 가정용 쓰레기로 처리하지 마십시오!

ไทย

คำเตือนเพื่อความปลอดภัย

คำเตือนเพื่อความปลอดภัยทั่วไปสำหรับเครื่องมือไฟฟ้า

⚠ คำเตือน อ่านคำเตือนเพื่อความปลอดภัย คำแนะนำ ภาพประกอบ และข้อมูล

จำเพาะทั้งหมดที่จัดส่งมาพร้อมกับเครื่องมือไฟฟ้า

การไม่ปฏิบัติตามคำแนะนำทั้งหมดที่ระบุไว้ด้านล่างนี้อาจทำให้ถูกไฟฟ้าดูด เกิดไฟไหม้ และ/หรือได้รับบาดเจ็บอย่างร้ายแรง

เก็บรักษาคำเตือนและคำสั่งทั้งหมดสำหรับเปิดอ่านในภายหลัง

คำว่า "เครื่องมือไฟฟ้า" ในคำเตือนหมายถึง เครื่องมือไฟฟ้าของท่านที่ทำงานด้วยพลังงานไฟฟ้าจากแหล่งจ่ายไฟหลัก (มีสายไฟฟ้า) และเครื่องมือไฟฟ้าที่ทำงานด้วยพลังงานไฟฟ้าจากแบตเตอรี่ (ไร้สาย)

ความปลอดภัยในสถานที่ทำงาน

- ▶ **รักษาสถานที่ทำงานให้สะอาดและมีไฟส่องสว่างดี** สถานที่ที่มีมืดหรือรกรุงรังนำมาซึ่งอุบัติเหตุ
- ▶ **อย่าใช้เครื่องมือไฟฟ้าทำงานในสภาพบรรยากาศที่จุดติดไฟได้ เช่น ในที่มีมีของเหลวไวไฟ ก๊าซ หรือฝุ่น** เมื่อใช้เครื่องมือไฟฟ้าจะเกิดประกายไฟซึ่งอาจจุดฝุ่นหรือไอให้ลุกเป็นไฟได้
- ▶ **ขณะใช้เครื่องมือไฟฟ้าทำงาน ต้องกันเด็กและผู้ยี่นดูให้ออกห่าง** การหันเหความสนใจอาจทำให้ท่านขาดการควบคุมเครื่องมือ

ความปลอดภัยเกี่ยวกับไฟฟ้า

- ▶ **ปลั๊กของเครื่องมือไฟฟ้าต้องเหมาะสมพอดีกับเต้าเสียบ** อย่าตัดแปลงปลั๊กไม่ว่าในลักษณะใดๆ อย่างเด็ดขาด อย่าใช้ปลั๊กพ่วงต่อใดๆ กับเครื่องมือไฟฟ้าที่มีสายดิน ปลั๊กที่ไม่ตัดแปลงและเต้าเสียบที่เข้ากันช่วยลดความเสี่ยงจากการถูกไฟฟ้าดูด
- ▶ **หลีกเลี่ยงอย่าให้ร่างกายสัมผัสกับพื้นผิวที่ต่อสายดินหรือลงกราวด์ไว้ เช่น ท่อ เครื่องทำความร้อน เตา และตู้เย็น** จะเสี่ยงอันตรายจากการถูกไฟฟ้าดูดมากขึ้นหากกระแสไฟฟ้าวิ่งผ่านร่างกายของท่านลงดิน

- ▶ **อย่าให้เครื่องมือไฟฟ้าถูกฝนหรืออยู่ในสภาพเปียกชื้น** หากน้ำเข้าในเครื่องมือไฟฟ้า จะเพิ่มความเสี่ยงจากการถูกไฟฟ้าดูด
- ▶ **อย่าใช้สายไฟฟ้าในทางที่ผิด** อย่าใช้สายไฟฟ้าเพื่อยก ดึง หรือถอดปลั๊กเครื่องมือไฟฟ้า กั้นสายไฟฟ้าออกจากความร้อน น้ำมัน ขอบแหลมคม หรือชิ้นส่วนที่เคลื่อนที่ สายไฟฟ้าที่ชำรุดหรือพันกันยุ่งเพิ่มความเสี่ยงจากการถูกไฟฟ้าดูด
- ▶ **เมื่อใช้เครื่องมือไฟฟ้าทำงานกลางแจ้ง ให้ใช้สายไฟต่อที่เหมาะสมสำหรับการใช้งานกลางแจ้ง** การใช้สายไฟต่อที่เหมาะสมสำหรับงานกลางแจ้งช่วยลดอันตรายจากการถูกไฟฟ้าดูด
- ▶ **หากไม่สามารถหลีกเลี่ยงการใช้เครื่องมือไฟฟ้าทำงานในสถานที่เปียกชื้นได้ ให้ใช้สวิตซ์ตัดวงจรเมื่อเกิดการรั่วไหลของไฟฟ้าจากสายดิน (RCD)** การใช้สวิตซ์ตัดวงจรเมื่อเกิดการรั่วไหลของไฟฟ้าจากสายดินช่วยลดความเสี่ยงต่อการถูกไฟฟ้าดูด

ความปลอดภัยของบุคคล

- ▶ **ท่านต้องอยู่ในสภาพเตรียมพร้อม ระมัดระวังในสิ่งที่ท่านกำลังทำอยู่ และมีสติขณะใช้เครื่องมือไฟฟ้าทำงาน** อย่าใช้เครื่องมือไฟฟ้าขณะที่ท่านกำลังเหนื่อย หรืออยู่ภายใต้การครอบงำของฤทธิ์ของยาเสพติด แอลกอฮอล์ และยา เมื่อใช้เครื่องมือไฟฟ้าทำงานในช่วงเวลาที่ท่านขาดความเอาใจใส่อาจทำให้บุคคลบาดเจ็บอย่างรุนแรงได้
- ▶ **ใช้อุปกรณ์ปกป้องร่างกาย สวมแว่นตาป้องกันเสมอ** อุปกรณ์ปกป้อง เช่น หนากากกันฝุ่น รองเท้ากันลื่น หมวกแข็ง หรือประคบหูกันเสียงดังที่ใช้ตามความเหมาะสมกับสภาพการทำงาน จะลดการบาดเจ็บทางร่างกาย
- ▶ **ป้องกันการติดเครื่องโดยไม่ตั้งใจ ตรวจสอบให้แน่ใจว่าสวิตซ์อยู่ในตำแหน่งปิดก่อนเชื่อมต่อเข้ากับแหล่งจ่ายไฟ และ/หรือแบตเตอรี่แพ็ค ยกหรือถือเครื่องมือการถือเครื่องโดยใช้นิ้วหัวที่สวิตซ์ หรือเสียบปลั๊กไฟฟ้าขณะสวิตซ์เปิดอยู่ อาจนำไปสู่อุบัติเหตุที่ร้ายแรงได้**
- ▶ **นำเครื่องมือปรับแต่งหรือประแจปากตายออกก่อนเปิดสวิตซ์เครื่องมือไฟฟ้า** เครื่องมือหรือประแจปากตายที่วางอยู่กับส่วนของเครื่องที่กำลังหมุนจะทำให้บุคคลบาดเจ็บได้
- ▶ **อย่าเอื้อมไกลเกินไป** ตั้งทำขึ้นที่มั่นคงและวางน้ำหนักให้สมดุลตลอดเวลา ในลักษณะที่ท่านสามารถควบคุมเครื่องมือไฟฟ้าในสถานการณ์ที่ไม่คาดคิดได้ดีกว่า
- ▶ **แต่งกายอย่างเหมาะสม** อย่าใส่เสื้อผ้าหลวมหรือสวมเครื่องประดับ เหน็บและเสื้อผ้ออกห่างจากชิ้นส่วนที่

เคลื่อนที่ เลื่อนผ้าหวม เครื่องประดับ และผม ยาวอาจเข้าไปติดในชิ้นส่วนที่เคลื่อนที่

- ▶ หากเครื่องมือไฟฟ้ามีข้อเชื่อมต่อกับเครื่องดูดฝุ่นหรือเครื่องเก็บผง ให้ตรวจสอบให้แน่ใจว่าได้เชื่อมต่อและใช้งานอย่างถูกต้อง การใช้อุปกรณ์ดูดฝุ่นช่วยลดอันตรายที่เกิดจากฝุ่นได้
- ▶ เมื่อใช้งานเครื่องบ่อยครั้งจะเกิดความคุ้นเคย อย่าให้ความคุ้นเคยทำให้ท่านเกิดความชะล่าใจและละเลยกฎเกณฑ์ด้านความปลอดภัยในการใช้งานเครื่อง การทำงานอย่างไม่ระมัดระวังอาจทำให้เกิดการบาดเจ็บอย่างร้ายแรงภายในเสี้ยววินาที

การใช้และการดูแลรักษาเครื่องมือไฟฟ้า

- ▶ อย่างผืนกำลังเครื่องมือไฟฟ้า ใช้เครื่องมือไฟฟ้าที่ถูกต้องตรงตามลักษณะงานของท่าน เครื่องมือไฟฟ้าที่ถูกต้องจะทำงานได้ดีกว่าและปลอดภัยกว่าในระดับสมรรถภาพที่ออกแบบไว้
 - ▶ อย่าใช้เครื่องมือไฟฟ้าถ้าสวิทช์ไม่สามารถเปิดปิดได้ เครื่องมือไฟฟ้าที่ไม่สามารถควบคุมการเปิดปิดด้วยสวิทช์ได้ เป็นเครื่องมือไฟฟ้าที่ไม่ปลอดภัยและต้องส่งซ่อมแซม
 - ▶ ก่อนปรับแต่งเครื่อง เปลี่ยนอุปกรณ์ประกอบ หรือเก็บเครื่องเข้าที่ ต้องถอดปลั๊กออกจากแหล่งจ่ายไฟ และ/หรือถอดแบตเตอรี่แพ็คเกจออกจากเครื่องมือไฟฟ้าหากถอดออกได้
- มาตรการป้องกันเพื่อความปลอดภัยนี้ช่วยลดความเสี่ยงจากการติดเครื่องโดยไม่ได้ตั้งใจ
- ▶ เมื่อเลิกใช้งานเครื่องมือไฟฟ้า ให้เก็บเครื่องไว้ในที่ที่เด็กหยิบไม่ถึง และไม่อนุญาตให้บุคคลที่ไม่คุ้นเคยกับเครื่องหรือบุคคลที่ไม่ได้อ่านคำแนะนำเหล่านี้ใช้เครื่องมือไฟฟ้าเป็นของอันตรายหากตกอยู่ในมือของผู้ใช้ที่ไม่ได้รับการฝึกฝน
 - ▶ บำรุงรักษาเครื่องมือไฟฟ้าและอุปกรณ์ประกอบ ตรวจสอบชิ้นส่วนที่เคลื่อนที่ว่าวางไม่ตรงแนวหรือติดขัดหรือไม่ ตรวจสอบการแตกหักของชิ้นส่วนและสภาพอื่นใดที่อาจมีผลต่อการทำงานของเครื่องมือไฟฟ้า หากชำรุดต้องส่งเครื่องมือไฟฟ้าไปซ่อมแซมก่อนใช้งาน อุบัติเหตุหลายอย่างเกิดขึ้นเนื่องจากดูแลรักษาเครื่องไม่ดีพอ
 - ▶ รักษาเครื่องมือตัดให้คมและสะอาด หากบำรุงรักษาเครื่องมือที่มีขอบตัดแหลมคมอย่างถูกต้องจะสามารถตัดได้ลื่นไม่ติดขัดและควบคุมได้ง่ายกว่า
 - ▶ ใช้เครื่องมือไฟฟ้า อุปกรณ์ประกอบ เครื่องมือ และอุปกรณ์อื่น ๆ ตรงตามคำแนะนำเหล่านี้ โดยคำนึงถึงเงื่อนไขการทำงานและงานที่จะทำ การใช้เครื่อง

มือไฟฟ้าทำงานที่ต่างไปจากวัตถุประสงค์การใช้งานของเครื่อง อาจนำไปสู่สถานการณ์ที่เป็นอันตรายได้

- ▶ ดูแลคัมจับและพื้นผิวจับให้แห้ง สะอาด และปราศจากคราบน้ำมันและจาระบี คัมจับและพื้นผิวจับที่ลื่นทำให้หือจับได้ไม่ปลอดภัย และไม่สามารถควบคุมเครื่องมือในสถานการณ์ที่ไม่คาดคิด

การบริการ

- ▶ ส่งเครื่องมือไฟฟ้าของท่านเข้ารับบริการจากช่างซ่อมที่มีคุณสมบัติเหมาะสม โดยใช้อะไหล่ที่เหมือนกันเท่านั้น ในลักษณะนี้ท่านจะแน่ใจได้ว่าเครื่องมือไฟฟ้าอยู่ในสภาพที่ปลอดภัย

คำเตือนเพื่อความปลอดภัยสำหรับกรรไกรไฟฟ้ากุดตัด

- ▶ เครื่องมือไฟฟ้าไม่เหมาะสำหรับการทำงานแบบอยู่กับที่ ไม่ควรยึดเครื่อง ตัวอย่าง เช่น ไว้ในปากก้างชิ้นงานหรือยึดไว้บนโต๊ะทำงาน
- ▶ สวมถุงมือป้องกันอันตรายขณะทำงานและระมัดระวังสายไฟหลักเป็นพิเศษ ตรงแผ่นโลหะที่ตัดออกจะเปลี่ยนแหลมคมที่อาจทำให้ท่านได้รับบาดเจ็บหรือทำให้สายไฟหลักชำรุด

รายละเอียดผลิตภัณฑ์และข้อมูล

จำเพาะ



อ่านคำเตือนเพื่อความปลอดภัยและคำแนะนำทั้งหมด การไม่ปฏิบัติตามคำเตือนและคำสั่งอาจเป็นสาเหตุให้ถูกไฟฟ้าดูด เกิดไฟไหม้ และ/หรือได้รับบาดเจ็บอย่างร้ายแรง กรุณาดูภาพประกอบในส่วนหน้าของคู่มือการใช้งาน

ประโยชน์การใช้งานของเครื่อง

เครื่องนี้ใช้สำหรับตัดแผ่นโลหะโดยไม่ทำให้วัตถุเสียรูปและยังเหมาะสำหรับการตัดตรง ตัดออก และตัดโค้งแคบ

ส่วนประกอบที่แสดงภาพ

ลำดับเลขของส่วนประกอบผลิตภัณฑ์อ้างอิงถึงส่วนประกอบของเครื่องที่แสดงในหน้าภาพประกอบ

- (1) สวิทช์เปิด-ปิด
- (2) ฝาครอบเกลียวสำหรับแม่พิมพ์ดอกโลหะ
- (3) สกรูล็อคแม่พิมพ์ดอกโลหะ
- (4) แม่พิมพ์ดอกโลหะ
- (5) ตัวดอก

(6) สกรูกลวงสำหรับยึดหัวดอกเจาะ

ข้อมูลทางเทคนิค

กรรไกรไฟฟ้ากัดตัด		GNA 2,0
หมายเลขสินค้า		0 601 530 1..
กำลังไฟฟ้าที่กัดตัดเข้า	วัตต์	500
กำลังไฟฟ้าด้านออก	วัตต์	270
อัตราขยับชักเดินตัวเปล่า n_0	min ⁻¹	2400
ความเร็วรอบขณะใช้งาน	min ⁻¹	1500
ความหนาของแผ่นโลหะ สูงสุดที่จะนำมาตัด ^{A)}	มม.	2.0
ความกว้างการตัด	มม.	6
รัศมีความโค้งขนาดเล็กสุด	มม.	3
น้ำหนักตามระเบียบการ EPTA-Procedure 01:2014	กก.	2.0
ระดับความปลอดภัย		

A) อ้างอิงจากแผ่นเหล็กกล้าถึง 400 N/mm²

ค่าที่ให้นี้ใช้ได้กับแรงดันไฟฟ้าอนินอล [U] 230 โวลต์ค่าเหล่านี้ อาจเปลี่ยนแปลงไปสำหรับแรงดันไฟฟ้าที่แตกต่างกัน และโมเดลที่ผลิตสำหรับเฉพาะประเทศ

การปฏิบัติงาน

การเริ่มต้นปฏิบัติงาน

▶ ให้สังเกตแรงดันไฟฟ้า! แรง

ดันไฟฟ้าจากแหล่งจ่ายไฟฟ้าต้องมีค่าตรงกับค่าแรงดันไฟฟ้าที่ระบุไว้บนแผ่นป้ายพิกัดเครื่อง เครื่องมือไฟฟ้าที่มีเครื่องหมาย 230 โวลต์ สามารถใช้งานกับ 220 โวลต์ ได้ด้วย

การเปิด-ปิดเครื่อง

เมื่อต้องการ **เปิดสวิตช์** เครื่องมือไฟฟ้า ให้เลื่อนสวิตช์เปิด/ปิด (1) ไปด้านหน้าเพื่อให้ I ปรากฏบนสวิตช์

เมื่อต้องการ **ปิดสวิตช์** เครื่องมือไฟฟ้า ให้เลื่อนสวิตช์เปิด/ปิด (1) ไปด้านหลัง เพื่อให้ 0 ปรากฏบนสวิตช์

การล็อกและคลายแม่พิมพ์ดอกโลหะ

ในการตัดแนวตรงให้ขันสลักยึดหนีบ (3) โดยใช้ประแจหกเหลี่ยม (ขนาดประแจ 2.5 มม.) เพื่อล็อกแม่พิมพ์ (4)

คลายสลักยึดหนีบ (3) สำหรับการตัดแนวโค้ง แม่พิมพ์ (4) สามารถเคลื่อนที่ได้อย่างอิสระและปรับอยู่ในทิศทางแรงผลักเข้า

ข้อแนะนำในการทำงาน

- ▶ **ดึงปลั๊กไฟออกจากเต้าเสียบก่อนปรับแต่งเครื่อง**
- ▶ **เครื่องมือไฟฟ้าไม่เหมาะสำหรับการทำงานแบบอยู่กับที่** ไม่ควรยึดเครื่อง ตัวอย่าง เช่น ไขควงปากกาจับชิ้นงานหรือยึดไว้บนโต๊ะทำงาน
- ▶ **สวมถุงมือป้องกันอันตรายขณะทำงานและระมัดระวังสายไฟหลักเป็นพิเศษ** ตรงแผ่นโลหะที่ตัดออกจะมีเส้นแหลมคมที่อาจทำให้ท่านได้รับบาดเจ็บหรือทำให้สายไฟหลักชำรุด
- ▶ **ข้อควรระวังในการจัดการเศษตัด** เศษตัดมีปลายแหลมคมที่อาจทำให้บาดเจ็บได้

จับเครื่องเข้าทำงานเมื่อเครื่องเปิดทำงานอยู่เท่านั้น ให้ถือเครื่องมือไฟฟ้าตั้งฉากกับพื้นผิวของแผ่นโลหะเสมอ และห้ามเอียง

การตัดจะเกิดขึ้นขณะที่หัวดอกเจาะเคลื่อนที่ขึ้นด้านบน เคลื่อนเครื่องอย่างสม่ำเสมอและบ่อนเบาๆ ไปในทิศทางตัด การเคลื่อนเครื่องไปข้างหน้าเกินกำลังจะบั่นทอนอายุการใช้งานของเครื่องมือตัดและอาจทำให้เครื่องมือไฟฟ้าชำรุดได้ หากหัวดอกเจาะติดขัดขณะทำการตัด ให้ปิดเครื่องมือไฟฟ้า หยอดน้ำมันหล่อลื่นหัวดอกเจาะและคลายความตึงแผ่นโลหะ กรุณาอย่าใช้กำลัง มิฉะนั้นหัวดอกเจาะและแม่พิมพ์อาจเสียหายได้

ความสามารถสูงสุดในการตัดแผ่นเหล็ก

ความหนาสูงสุดของแผ่นโลหะที่จะทำการตัด d_{max} จะขึ้นอยู่กับความแข็งแรงของวัสดุที่จะจัดการ

เครื่องมือสามารถตัดแผ่นโลหะถึงความหนาดังต่อไปนี้:

วัสดุ	ความแข็งแรงสูงสุด (N/mm ²)	d_{max} (มม.)
เหล็กกล้า	400	2.0
	600	1.4
	800	1.0
อะลูมิเนียม	200	2.5

การใช้น้ำมันหล่อลื่น/การระบายความร้อนหัวดอกเจาะ

เพื่อยืดอายุการใช้งานของหัวดอกเจาะ (5) ท่านควรใช้น้ำมันหล่อลื่นที่หนาที่ระบายความร้อนได้ดี (เช่น น้ำมันตัดกลึง) ใช้น้ำมันหล่อลื่นที่ด้านบนของแผ่นงานแนบติดที่วางไว้ในการทำงานที่ยาวนานหรือการทำงานที่มีการเสียดสีสูง (เช่น การตัดอะลูมิเนียม) ท่านควรจะจุ่มเครื่องมือจ่ายในถังน้ำมันหล่อลื่นเป็นรอบๆ อย่างสม่ำเสมอ

การตัดตามรอยเครื่องหมายหรือโดยใช้แผ่นแม่แบบ

การตัดตรงทำได้ง่ายขึ้นเมื่อจับเครื่องเทียบไปตามไม้บรรทัด

สามารถตัดเค้าโครงได้ด้วยกรเดินเครื่องมือไฟฟ้าตามแนวแม่แบบ

สำหรับการตัดด้านใน จะต้องมีกรเจาะรูที่มีเส้นผ่านศูนย์กลาง 16 มม.

การบำรุงรักษาและการบริการ

การบำรุงรักษาและการทำความสะอาด

- ▶ **ดึงปลั๊กไฟออกจากเต้าเสียบก่อนปรับแต่งเครื่อง**
- ▶ **เพื่อให้ทำงานได้อย่างถูกต้องและปลอดภัย ต้องรักษาเครื่องและช่องระบายอากาศให้สะอาดอยู่เสมอ**

หากจำเป็นต้องเปลี่ยนสายไฟฟ้า ต้องส่งเครื่องให้ **Bosch** หรือศูนย์บริการหลังการขายที่ได้รับมอบหมายสำหรับเครื่องมือไฟฟ้า **Bosch** เปลี่ยนให้ ทั้งนี้เพื่อหลีกเลี่ยงอันตราย

ทำความสะอาดและทาน้ำมันหล่อลื่นที่หัวดอกเจาะ (5) และแม่พิมพ์ (4) ทุกๆ 3 ชั่วโมงการปฏิบัติงาน

เปลี่ยนหัวดอกเจาะและแม่พิมพ์ทันทีที่สึกหรอ เพราะเฉพาะเครื่องมือที่คมเท่านั้นที่จะช่วยให้มีประสิทธิภาพการตัดที่ดีและช่วยรักษาเครื่องมือไฟฟ้า

ห้ามใส่หัวดอกเจาะ (5) และแม่พิมพ์ (4) ซ้ำ

การเปลี่ยนแม่พิมพ์ดอกโลหะ

เมื่อมีแม่พิมพ์ล็อกอยู่ (4) ให้คลายสลักยึดหนีบ (3)

ถอดน็อตยึดหนีบ (2) โดยใช้ประแจปากตาย (ขนาดประแจ 30 มม.) ถอดแม่พิมพ์ (4) ออก

ใส่แม่พิมพ์ (4) อันใหม่ที่ทาน้ำมันหล่อลื่นเป็นอย่างดีแล้ว ชันน็อตยึดหนีบ (2) ให้แน่นอีกครั้ง

การเปลี่ยนหัวดอกเจาะ

หากต้องการเปลี่ยนหัวดอกเจาะ (5) ให้ถอดแม่พิมพ์ (4)

ออกตามที่อธิบายไว้ด้านบน

หลังจากนั้นให้ถอดสลักแบบใจออก (6) และถอดหัวดอกเจาะออก (5)

ใส่หัวดอกเจาะ (5) อันใหม่ที่ทาน้ำมันหล่อลื่นอย่างดีแล้วและล็อกด้วยสลักแบบใจ (6) ยึดแม่พิมพ์ (4) อีกครั้งตามที่อธิบายไว้ด้านบน

อุปกรณ์ประกอบ/อะไหล่

แม่พิมพ์ (อเนกประสงค์)	2 608 639 900
หัวดอกเจาะ:	
- สำหรับการตัดแนวโค้ง	2 608 639 013
- สำหรับการตัดแนวตรง	2 608 639 016
- อเนกประสงค์	2 608 639 022

สำหรับแผ่นลูกฟูกและแผ่นโปรไฟล์หนาถึง 1.2 มม.:

- แม่พิมพ์ดอกโลหะ	2 608 639 021
- ชุด (หัวดอกเจาะ/แม่พิมพ์)	2 608 639 902

การบริการหลังการขายและการให้คำปรึกษาการใช้งาน

ศูนย์บริการหลังการขายของเรายินดีตอบคำถามของท่านที่เกี่ยวกับการบำรุงรักษาและการซ่อมแซมผลิตภัณฑ์รวมทั้งเรื่องอะไหล่ ภาพเขียนแบบการประกอบและข้อมูลเกี่ยวกับอะไหล่ กรุณาดูใน: www.bosch-pt.com ที่ทีมงานที่ปรึกษาของ บอช ยินดีให้ข้อมูลเกี่ยวกับผลิตภัณฑ์ของเราและอุปกรณ์ประกอบต่างๆ

เมื่อต้องการสอบถามและสั่งซื้ออะไหล่ กรุณาแจ้งหมายเลขสินค้า 10 หลักบนแผ่นป้ายรุ่นของผลิตภัณฑ์ทุกครั้ง

ไทย

ไทย บริษัท โรเบิร์ต บอช จำกัด

เอพวายุโอ เซ็นเตอร์ อาคาร 1 ชั้น 5

เลขที่ 2525 ถนนพระราม 4

แขวงคลองเตย เขตคลองเตย กรุงเทพฯ 10110

โทร: +66 2012 8888

แฟกซ์: +66 2064 5800

www.bosch.co.th

ศูนย์บริการซ่อมและฝึกอบรม บอช

อาคาร ลาซาลทาวเวอร์ ชั้น G ห้องเลขที่ 2

บ้านเลขที่ 10/11 หมู่ 16

ถนนศรีนครินทร์ ตำบลบางแก้ว อำเภอบางพลี

จังหวัดสมุทรปราการ 10540

ประเทศไทย

โทรศัพท์ 02 7587555

โทรสาร 02 7587525

การกำจัดขยะ

เครื่องมือไฟฟ้า อุปกรณ์ประกอบ และที่บ่อ ต้องนำไปแยกประเภทวัสดุเพื่อการรีไซเคิลที่เป็นมิตรต่อสิ่งแวดล้อม



อย่าทิ้งเครื่องมือไฟฟ้าลงในขยะครัวเรือน!

Bahasa Indonesia

Petunjuk Keselamatan

Petunjuk keselamatan umum untuk perkakas listrik

⚠ PERINGATAN Baca semua peringatan, petunjuk, ilustrasi, dan spesifikasi

keselamatan yang diberikan bersama perkakas listrik ini. Kesalahan dalam menjalankan petunjuk di bawah ini dapat mengakibatkan sengatan listrik, kebakaran, dan/atau cedera serius.

Simpanlah semua peringatan dan petunjuk untuk penggunaan di masa mendatang.

Istilah "perkakas listrik" dalam peringatan mengacu pada perkakas listrik yang dioperasikan dengan listrik (menggunakan kabel) atau perkakas listrik yang dioperasikan dengan baterai (tanpa kabel).

Keamanan tempat kerja

- ▶ **Jaga kebersihan dan pencahayaan area kerja.** Area yang berantakan atau gelap dapat memicu kecelakaan.
- ▶ **Jangan mengoperasikan perkakas listrik di lingkungan yang dapat memicu ledakan, seperti adanya cairan, gas, atau debu yang mudah terbakar.** Perkakas listrik dapat memancarkan bunga api yang kemudian mengakibatkan debu atau uap terbakar.
- ▶ **Jauhkan dari jangkauan anak-anak dan pengamat saat mengoperasikan perkakas listrik.** Gangguan dapat menyebabkan hilangnya kendali.

Keamanan listrik

- ▶ **Steker perkakas listrik harus sesuai dengan stopkontak. Jangan pernah memodifikasi steker. Jangan menggunakan steker adaptor bersama dengan perkakas listrik yang terhubung dengan sistem grounding.** Steker yang tidak dimodifikasi dan stopkontak yang cocok akan mengurangi risiko sengatan listrik.
- ▶ **Hindari kontak badan dengan permukaan yang terhubung dengan sistem grounding, seperti pipa, radiator, kompor, dan lemari es.** Terdapat peningkatan risiko terjadinya sengatan listrik jika badan Anda terhubung dengan sistem grounding.
- ▶ **Perkakas listrik tidak boleh terpapar hujan atau basah.** Air yang masuk ke dalam perkakas listrik menambah risiko terjadinya sengatan listrik.
- ▶ **Jangan menyalahgunakan kabel. Jangan gunakan kabel untuk membawa, menarik, atau melepas steker perkakas listrik. Jauhkan kabel dari panas, minyak, tepi yang tajam, atau komponen yang bergerak.** Kabel listrik yang rusak atau tersangkut menambah risiko terjadinya sengatan listrik.
- ▶ **Saat mengoperasikan perkakas listrik di luar ruangan, gunakan kabel ekstensi yang sesuai untuk penggunaan di luar ruangan.** Penggunaan kabel yang

cocok untuk pemakaian di luar ruangan mengurangi risiko terjadinya sengatan listrik.

- ▶ **Jika perkakas listrik memang harus dioperasikan di tempat yang lembap, gunakan pemutus arus listrik residu (RCD).** Penggunaan RCD akan mengurangi risiko terjadinya sengatan listrik.

Keselamatan personel

- ▶ **Tetap waspada, perhatikan aktivitas yang sedang dikerjakan dan gunakan akal sehat saat mengoperasikan perkakas listrik. Jangan gunakan perkakas listrik saat mengalami kelelahan atau di bawah pengaruh narkoba, alkohol, atau obat-obatan.** Jika perkakas listrik dioperasikan dengan daya konsentrasi yang rendah, hal tersebut dapat menyebabkan cedera serius.
- ▶ **Gunakan peralatan pelindung diri. Selalu kenakan pelindung mata.** Penggunaan perlengkapan pelindung seperti penutup telinga, helm, sepatu anti licin, dan masker debu akan mengurangi cedera.
- ▶ **Hindari start yang tidak disengaja. Pastikan switch berada di posisi off sebelum perkakas listrik dihubungkan ke sumber daya listrik dan/atau baterai, diangkat, atau dibawa.** Membawa perkakas listrik dengan jari menempel pada tombol atau perkakas listrik dalam keadaan hidup dapat memicu kecelakaan.
- ▶ **Singkirkan kunci penyetal atau kunci pas sebelum menghidupkan perkakas listrik.** Perkakas atau kunci pas yang masih menempel pada komponen perkakas listrik yang berputar dapat menyebabkan cedera.
- ▶ **Jangan melampaui batas. Berdirilah secara mantap dan selalu jaga keseimbangan.** Hal ini akan memberikan kontrol yang lebih baik terhadap perkakas listrik pada situasi yang tak terduga.
- ▶ **Kenakan pakaian dengan wajar. Jangan mengenakan perhiasan atau pakaian yang longgar. Jauhkan rambut dan pakaian dari komponen yang bergerak.** Pakaian yang longgar, rambut panjang, atau perhiasan dapat tersangkut dalam komponen yang bergerak.
- ▶ **Jika disediakan perangkat untuk sambungan pengisapan debu dan alat pengumpulan, pastikan perangkat tersebut terhubung dan digunakan dengan benar.** Penggunaan alat pengumpulan dapat mengurangi bahaya yang disebabkan oleh debu.
- ▶ **Jangan berpuas diri dan mengabaikan prinsip keselamatan karena terbiasa mengoperasikan perkakas.** Tindakan yang kurang hati-hati dapat mengakibatkan cedera serius dalam waktu sepersekian detik.

Penggunaan dan pemeliharaan perkakas listrik

- ▶ **Jangan memaksakan perkakas listrik. Gunakan perkakas listrik yang sesuai untuk pekerjaan yang dilakukan.** Perkakas listrik yang sesuai akan bekerja dengan lebih baik dan aman sesuai tujuan penggunaan.
- ▶ **Jangan gunakan perkakas listrik dengan switch yang tidak dapat dioperasikan.** Perkakas listrik yang

switchnya yang tidak berfungsi dapat menimbulkan bahaya dan harus diperbaiki.

- ▶ **Lepaskan steker dari sumber listrik dan/atau lepas baterai, jika dapat dilepaskan dari perkakas listrik sebelum menyatel, mengganti aksesoris, atau menyimpan perkakas listrik.** Tindakan preventif akan mengurangi risiko menghidupkan perkakas listrik secara tidak disengaja.
- ▶ **Jauhkan dan simpan perkakas listrik dari jangkauan anak-anak dan jangan biarkan orang-orang yang tidak mengetahui cara menggunakan perkakas listrik, mengoperasikan perkakas listrik.** Perkakas listrik dapat membahayakan jika digunakan oleh orang-orang yang tidak terlatih.
- ▶ **Lakukan pemeliharaan perkakas listrik dan aksesoris. Periksa komponen yang bergerak apabila tidak lurus atau terikat, kerusakan komponen, dan kondisi lain yang dapat mengganggu pengoperasian perkakas listrik. Apabila rusak, perbaiki perkakas listrik sebelum digunakan.** Kecelakaan sering terjadi karena perkakas listrik tidak dirawat dengan baik.
- ▶ **Jaga ketajaman dan kebersihan alat.** Alat pemotong dengan pisau pemotong yang tajam dan dirawat dengan baik tidak akan mudah tersangkut dan lebih mudah dikendalikan.
- ▶ **Gunakan perkakas listrik, aksesoris, dan komponen perkakas dll sesuai dengan petunjuk ini, dengan mempertimbangkan kondisi kerja dan pekerjaan yang akan dilakukan.** Penggunaan perkakas listrik untuk tujuan berbeda dari fungsinya dapat menyebabkan situasi yang berbahaya.
- ▶ **Jaga gagang dan permukaan genggam agar tetap kering, bersih, dan bebas dari minyak dan lemak.** Gagang dan permukaan genggam yang licin tidak menjamin keamanan kerja dan kontrol alat yang baik pada situasi yang tidak terduga.

Servis

- ▶ **Minta teknisi berkualifikasi untuk menyervis perkakas listrik dengan hanya menggunakan suku cadang yang identik.** Dengan demikian, hal ini akan memastikan keamanan perkakas listrik.

Petunjuk keselamatan untuk alat potong

- ▶ **Perkakas listrik ini tidak sesuai untuk pengoperasian stasioner.** Perkakas listrik tidak boleh dipasang ke ragum atau dikencangkan ke meja kerja.
- ▶ **Gunakan sarung tangan pelindung saat bekerja dan berhati-hatilah terhadap kabel listrik.** Pada pelat logam yang dipotong terjadi tepi-tepi yang sangat tajam, yang bisa melukai Anda atau merusakkan kabel jaringan.

Spesifikasi produk dan performa



Bacalah semua petunjuk keselamatan dan petunjuk penggunaan. Kesalahan dalam menjalankan petunjuk keselamatan dan petunjuk penggunaan dapat mengakibatkan kontak listrik, kebakaran, dan/atau luka-luka yang berat.

Perhatikan ilustrasi yang terdapat pada sisi sampul panduan pengoperasian.

Tujuan penggunaan

Perkakas listrik ini cocok untuk memotong pelat logam tanpa perubahan bentuk dan cocok untuk pemotongan lurus, pemotongan lurus, pembagian dan pemotongan melengkung.

Ilustrasi komponen

Nomor-nomor dari bagian-bagian perkakas pada gambar sesuai dengan gambar perkakas listrik pada halaman bergambar.

- (1) Switch on/off
- (2) Mur mangkuk untuk dies
- (3) Sekrup penjepit untuk dies
- (4) Dies
- (5) Plunger
- (6) Sekrup berongga untuk memasang plunger

Data teknis

Mesin pengerat	GNA 2,0	
Nomor seri		0 601 530 1..
Input daya nominal	W	500
Daya output	W	270
Kecepatan pemotongan tanpa beban n_0	min^{-1}	2400
Kecepatan pemotongan saat diberi beban	min^{-1}	1500
Ketebalan maks. pelat logam yang dapat dipotong ^{A)}	mm	2,0
Ketebalan pengerat	mm	6
Radius lengkungan terkecil	mm	3
Berat sesuai dengan EPTA-Procedure 01:2014	kg	2,0
Klasifikasi keamanan		□/II

A) Berdasarkan pelat baja hingga 400 N/mm²

Data-data berlaku untuk tegangan nominal [U] 230 V. Pada tegangan yang lebih rendah dan pada model khusus mancanegara data-data ini bisa bertlainan.

Penggunaan

Cara penggunaan

- ▶ **Perhatikan tegangan listrik! Tegangan jaringan listrik harus sesuai dengan tegangan listrik yang tercantum pada label tipe perkakas listrik. Perkakas listrik dengan daya sebesar 230 V seperti yang diindikasikan pada label dapat juga dioperasikan pada daya 220 V.**

Menyalakan/mematikan

Untuk **menyalakan** perkakas listrik, geser tombol on/off **(1)** ke depan hingga muncul **I** pada switch.

Untuk **mematikan** perkakas listrik, geser tombol on/off **(1)** ke belakang hingga muncul **0** pada switch.

Mengunci/mengendurkan dies

Untuk pemotongan lurus, kencangkan sekrup penjepit **(3)** dengan kunci L (ukuran kunci 2,5 mm), untuk mengunci dies **(4)**.

Kendurkan sekrup penjepit **(3)** untuk pemotongan melengkung. Dies **(4)** dapat digerakkan secara bebas dan diatur pada arah daya dorong.

Petunjuk pengoperasian

- ▶ **Sebelum mulai dengan pekerjaan pada perkakas listrik, tariklah steker dari stopkontak.**
- ▶ **Perkakas listrik ini tidak sesuai untuk pengoperasian stasioner.** Perkakas listrik tidak boleh dipasang ke ragum atau dikencangkan ke meja kerja.
- ▶ **Gunakan sarung tangan pelindung saat bekerja dan berhati-hatilah terhadap kabel listrik.** Pada pelat logam yang dipotong terjadi tepi-tepi yang sangat tajam, yang bisa melukai Anda atau merusakkan kabel jaringan.
- ▶ **Hati-hati saat memegang chip pemotong.** Chip yang berbentuk sabit mempunyai ujung yang sangat tajam, yang dapat melukai pengguna.

Hanya arahkan perkakas listrik ke benda kerja saat perkakas dinyalakan. Usahakanlah supaya posisi perkakas listrik selalu tegak lurus terhadap permukaan pelat logam dan jangan memiringkannya.

Pemotongan terjadi saat plunger bergerak ke atas. Arahkan perkakas listrik secara merata dan dengan dorongan ringan ke arah pemotongan. Dorongan yang terlalu kuat akan sangat mengurangi masa pakai alat sisipan dan dapat merusak perkakas listrik.

Jika plunger terjepit saat memotong, matikan perkakas listrik, lumasi plunger dan renggangkan pelat. Jangan melakukannya dengan paksaan, karena plunger dan dies dapat menjadi rusak.

Ketebalan maksimal pelat logam yang dapat dipotong

Ketebalan maksimal pelat logam d_{\max} yang dapat dipotong bergantung pada kekuatan material yang akan dikerjakan.

Dengan perkakas listrik ini, pelat logam dengan ketebalan maksimal berikut dapat dipotong:

Material	Kekuatan maks. (N/mm ²)	d_{\max} (mm)
Baja	400	2,0
	600	1,4
	800	1,0
Aluminium	200	2,5

Melumasi/mendinginkan plunger

Gunakan pelumas dengan fungsi pendingin yang baik (misalnya oli pemotongan) untuk memperpanjang masa pakai plunger **(5)**.

Beri pelumas pada bagian atas pelat di sepanjang garis pemotongan yang direncanakan.

Redam alat sisipan secara berkala ke dalam wadah dengan pelumas setelah pengoperasian yang lebih lama atau saat pengoperasian dengan abrasi yang tinggi (misalnya pemotongan pada aluminium).

Memotong sesuai goresan atau dengan template

Pemotongan lurus lebih mudah dilakukan jika perkakas listrik digerakkan sepanjang mistar.

Berbagai bentuk dapat dipotong dengan menggerakkan perkakas listrik sepanjang template.

Untuk pembagian dalam, diperlukan pra-pengeboran dengan diameter **16 mm**.

Perawatan dan servis

Perawatan dan pembersihan

- ▶ **Sebelum mulai dengan pekerjaan pada perkakas listrik, tariklah steker dari stopkontak.**
- ▶ **Perkakas listrik dan lubang ventilasi harus selalu dibersihkan agar perkakas dapat digunakan dengan baik dan aman.**

Jika kabel listrik harus diganti, pekerjaan ini harus dilakukan oleh **Bosch** atau Service Center untuk perkakas listrik **Bosch** resmi agar keselamatan kerja selalu terjamin.

Setiap 3 jam pengoperasian, bersihkan dan lumasi plunger **(5)** dan dies **(4)**.

Ganti plunger dan dies tepat pada waktunya untuk menghindari keausan karena hanya peralatan yang tajam yang dapat menghasilkan pemotongan yang bagus dan melindungi perkakas listrik.

Plunger **(5)** dan dies **(4)** tidak boleh diasah kembali.

Mengganti dies

Saat dies terkunci **(4)**, kendurkan sekrup penjepit **(3)**.

Lepaskan mur mangkuk **(2)** dengan kunci pas (ukuran kunci 30 mm). Lepaskan dies **(4)**.

Masukkan dies baru yang telah diberi pelumas dengan baik **(4)**. Kencangkan kembali mur mangkuk **(2)**.

Mengganti plunger

Untuk mengganti plunger **(5)**, lepaskan dies **(4)** seperti yang dijelaskan di atas.

Kemudian lepaskan sekrup berongga (6) dan lepaskan plunger (5).

Masukkan plunger baru yang telah diberi pelumas dengan baik (5) dan kencangkan menggunakan sekrup berongga (6). Pasang kembali dies (4) seperti yang telah dijelaskan di atas.

Aksesoris/suku cadang

Dies (Universal)	2 608 639 900
Plunger:	
– untuk pemotongan melengkung	2 608 639 013
– untuk pemotongan lurus	2 608 639 016
– Universal	2 608 639 022
Untuk pelat logam bergelombang dan profil hinggga ketebalan 1,2 mm:	
– Dies	2 608 639 021
– Set (Plunger/Dies)	2 608 639 902

Layanan pelanggan dan konsultasi penggunaan

Layanan pelanggan Bosch menjawab semua pertanyaan Anda tentang reparasi dan perawatan serta tentang suku cadang produk ini. Gambaran teknis (exploded view) dan informasi mengenai suku cadang dapat ditemukan di: www.bosch-pt.com

Tim konsultasi penggunaan Bosch akan membantu Anda menjawab pertanyaan seputar produk kami beserta aksesorinya.

Jika Anda hendak menanyakan sesuatu atau memesan suku cadang, selalu sebutkan nomor model yang terdiri dari 10 angka dan tercantum pada label tipe produk.

Indonesia

PT Robert Bosch
Palma Tower 10th Floor
Jalan RA Kartini II-S Kaveling 6
Pondok Pinang, Kebayoran Lama
Jakarta Selatan 12310
Tel.: (021) 3005 5800
Fax: (021) 3005 5801
E-Mail: boschpowertools@id.bosch.com
www.bosch-pt.co.id

Cara membuang

Perkakas listrik, aksesoris, dan kemasan sebaiknya didaur ulang secara ramah lingkungan.



Jangan membuang perkakas listrik ke dalam sampah rumah tangga!

Tiếng Việt

Hướng dẫn an toàn

Hướng dẫn an toàn chung cho dụng cụ điện

⚠ CẢNH BÁO Hãy đọc toàn bộ các cảnh báo an toàn, hướng dẫn, hình ảnh và thông số kỹ thuật được cung cấp cho dụng cụ điện cầm tay này. Không tuân thủ mọi hướng dẫn được liệt kê dưới đây có thể bị điện giật, gây cháy và /hay bị thương tật nghiêm trọng. **Hãy giữ tất cả tài liệu về cảnh báo và hướng dẫn để tham khảo về sau.**

Thuật ngữ "dụng cụ điện cầm tay" trong phần cảnh báo là để cập đến sự sử dụng dụng cụ điện cầm tay của bạn, loại sử dụng điện nguồn (có dây cắm điện) hay vận hành bằng pin (không dây cắm điện).

Khu vực làm việc an toàn

- ▶ **Giữ nơi làm việc sạch và đủ ánh sáng.** Nơi làm việc bừa bộn và tối tăm dễ gây ra tai nạn.
- ▶ **Không vận hành dụng cụ điện cầm tay trong môi trường dễ gây nổ, chẳng hạn như nơi có chất lỏng dễ cháy, khí đốt hay rác.** Dụng cụ điện cầm tay tạo ra các tia lửa nên có thể làm rác bén cháy hay bốc khói.
- ▶ **Không để trẻ em hay người đến xem đứng gần khi vận hành dụng cụ điện cầm tay.** Sự phân tâm có thể gây ra sự mất điều khiển.

An toàn về điện

- ▶ **Phích cắm của dụng cụ điện cầm tay phải thích hợp với ổ cắm.** Không bao giờ được cài biến lại phích cắm dưới mọi hình thức. Không được sử dụng phích tiếp hợp nối tiếp đất (dây mát). Phích cắm nguyên bản và ổ cắm đúng loại sẽ làm giảm nguy cơ bị điện giật.
- ▶ **Tránh không để thân thể tiếp xúc với đất hay các vật có bề mặt tiếp đất như đường ống, lò sưởi, hàng rào và tủ lạnh.** Có nhiều nguy cơ bị điện giật hơn nếu cơ thể bạn bị tiếp hay nối đất.
- ▶ **Không được để dụng cụ điện cầm tay ngoài mưa hay ở tình trạng ẩm ướt.** Nước vào máy sẽ làm tăng nguy cơ bị điện giật.
- ▶ **Không được lạm dụng dây dẫn điện.** Không bao giờ được nắm dây dẫn để xách, kéo hay rút phích cắm dụng cụ điện cầm tay. Không để dây gần nơi có nhiệt độ cao, dầu nhớt, vật nhọn bén và bộ phận chuyển động. Làm hỏng hay cuộn rối dây dẫn làm tăng nguy cơ bị điện giật.
- ▶ **Khi sử dụng dụng cụ điện cầm tay ngoài trời, dùng dây nối thích hợp cho việc sử dụng ngoài trời.** Sử dụng dây nối thích hợp cho việc sử dụng ngoài trời làm giảm nguy cơ bị điện giật.

- ▶ **Nếu việc sử dụng dụng cụ điện cầm tay ở nơi ẩm ướt là không thể tránh được, dùng thiết bị ngắt mạch tự động (RCD) bảo vệ nguồn.** Sử dụng thiết bị ngắt mạch tự động RCD làm giảm nguy cơ bị điện giật.

An toàn cá nhân

- ▶ **Hãy tỉnh táo, biết rõ mình đang làm gì và hãy sử dụng ý thức khi vận hành dụng cụ điện cầm tay.** Không sử dụng dụng cụ điện cầm tay khi đang mệt mỏi hay đang bị tác động do chất gây nghiện, rượu hay dược phẩm gây ra. Một thoáng mất tập trung khi đang vận hành dụng cụ điện cầm tay có thể gây thương tích nghiêm trọng cho bản thân.
- ▶ **Sử dụng trang bị bảo hộ cá nhân.** Luôn luôn đeo kính bảo vệ mắt. Trang bị bảo hộ như khẩu trang, giày chống trượt, nón bảo hộ, hay dụng cụ bảo vệ tai khi được sử dụng đúng nơi đúng chỗ sẽ làm giảm nguy cơ thương tật cho bản thân.
- ▶ **Phòng tránh máy khởi động bất ngờ.** Bảo đảm công tắc máy ở vị trí tắt trước khi cắm vào nguồn điện và/hay lắp pin vào, khi nhắc máy lên hay khi mang xách máy. Ngáng ngón tay vào công tắc máy để xách hay kích hoạt dụng cụ điện cầm tay khi công tắc ở vị trí mở dễ dẫn đến tai nạn.
- ▶ **Lấy mọi chìa hay khóa điều chỉnh ra trước khi mở điện dụng cụ điện cầm tay.** Khóa hay chìa còn gắn dính vào bộ phận quay của dụng cụ điện cầm tay có thể gây thương tích cho bản thân.
- ▶ **Không rướn người.** Luôn luôn giữ tư thế đứng thích hợp và thẳng bằng. Điều này tạo cho việc điều khiển dụng cụ điện cầm tay tốt hơn trong mọi tình huống bất ngờ.
- ▶ **Trang phục thích hợp.** Không mặc quần áo rộng lủng thùng hay mang trang sức. Giữ tóc và quần áo xa khỏi các bộ phận chuyển động. Quần áo rộng lủng thùng, đồ trang sức hay tóc dài có thể bị cuốn vào các bộ phận chuyển động.
- ▶ **Nếu có các thiết bị đi kèm để nối máy hút bụi và các phụ kiện khác, bảo đảm các thiết bị này được nối và sử dụng tốt.** Việc sử dụng các thiết bị gom hút bụi có thể làm giảm các độc hại liên quan đến bụi gây ra.
- ▶ **Không để thói quen do sử dụng thường xuyên dụng cụ khiến bạn trở nên chủ quan và bỏ qua các quy định an toàn dụng cụ.** Một hành vi bất cẩn có thể gây ra thương tích nghiêm trọng chỉ trong tích tắc.

Sử dụng và bảo dưỡng dụng cụ điện cầm tay

- ▶ **Không được ép máy.** Sử dụng dụng cụ điện cầm tay đúng loại theo đúng ứng dụng của bạn. Dụng cụ điện cầm tay đúng chức năng sẽ

làm việc tốt và an toàn hơn theo đúng tiến độ mà máy được thiết kế.

- ▶ **Không sử dụng dụng cụ điện cầm tay nếu như công tắc không tắt và mở được.** Bất kỳ dụng cụ điện cầm tay nào mà không thể điều khiển được bằng công tắc là nguy hiểm và phải được sửa chữa.
- ▶ **Rút phích cắm ra khỏi nguồn điện và/hay pin ra khỏi dụng cụ điện cầm tay nếu có thể tháo được, trước khi tiến hành bất kỳ điều chỉnh nào, thay phụ kiện, hay cất dụng cụ điện cầm tay.** Các biện pháp ngăn ngừa như vậy làm giảm nguy cơ dụng cụ điện cầm tay khởi động bất ngờ.
- ▶ **Cất giữ dụng cụ điện cầm tay không dùng tới nơi trẻ em không lấy được và không cho người chưa từng biết dụng cụ điện cầm tay hay các hướng dẫn này sử dụng dụng cụ điện cầm tay.** Dụng cụ điện cầm tay nguy hiểm khi ở trong tay người chưa được chỉ cách sử dụng.
- ▶ **Bảo quản dụng cụ điện cầm tay và các phụ kiện.** Kiểm tra xem các bộ phận chuyển động có bị sai lệch hay kẹt, các bộ phận bị rạn nứt và các tình trạng khác có thể ảnh hưởng đến sự vận hành của máy. Nếu bị hư hỏng, phải sửa chữa máy trước khi sử dụng. Nhiều tai nạn xảy ra do bảo quản dụng cụ điện cầm tay tồi.
- ▶ **Giữ các dụng cụ cắt bén và sạch.** Bảo quản đúng cách các dụng cụ cắt có cạnh cắt bén làm giảm khả năng bị kẹt và dễ điều khiển hơn.
- ▶ **Sử dụng dụng cụ điện cầm tay, phụ kiện, đầu cài v. v., đúng theo các chỉ dẫn này, hãy lưu ý đến điều kiện làm việc và công việc phải thực hiện.** Sự sử dụng dụng cụ điện cầm tay khác với mục đích thiết kế có thể tạo nên tình huống nguy hiểm.
- ▶ **Giữ tay cầm và bề mặt nắm luôn khô ráo, sạch sẽ và không dính dầu mỡ.** Tay cầm và bề mặt nắm trơn trượt không đem lại thao tác an toàn và kiểm soát dụng cụ trong các tình huống bất ngờ.

Bảo dưỡng

- ▶ **Đưa dụng cụ điện cầm tay của bạn đến thợ chuyên môn để bảo dưỡng, chỉ sử dụng phụ tùng đúng chủng loại để thay.** Điều này sẽ đảm bảo sự an toàn của máy được giữ nguyên.

Các chỉ dẫn an toàn cho con chuột

- ▶ **Dụng cụ điện không phù hợp cho vận hành tĩnh.** Không được phép kẹp vào một ê-tô hoặc gắn trên một bàn máy.
- ▶ **Hãy đeo gang tay bảo vệ khi làm việc và đặc biệt lưu ý dây nguồn.** Phoi vụn sắc nhọn phát sinh khi cắt thép tấm và có thể gây thương tích

cho người vận hành máy hay gây hư hỏng dây cắm điện nguồn.

Mô Tả Sản Phẩm và Đặc Tính Kỹ Thuật



Đọc kỹ mọi cảnh báo an toàn và mọi hướng dẫn. Không tuân thủ mọi cảnh báo và hướng dẫn được liệt kê dưới đây có thể bị điện giật, gây cháy và / hay bị thương tật nghiêm trọng.

Xin lưu ý các hình minh hoạt trong phần trước của hướng dẫn vận hành.

Sử dụng đúng cách

Máy được thiết kế dùng để cắt kim loại tấm mà không làm biến dạng vật liệu, và thích hợp cho cách cắt thẳng đường, cắt thành đoạn và các đường cong hẹp.

Các bộ phận được minh họa

Sự đánh số các biểu trưng của sản phẩm là để tham khảo hình minh họa của máy trên trang hình ảnh.

- (1) Công tắc bật/tắt
- (2) Chụp vận khuôn rập
- (3) Vít khóa khuôn rập
- (4) Khuôn rập
- (5) Mũi đột dập
- (6) Vít ống lắp bắt mũi đột dập

Thông số kỹ thuật

Máy Cắt Gặm	GNA 2,0	
Mã số máy		0 601 530 1..
Công suất vào danh định	W	500
Công suất ra	W	270
Tần suất nhịp chạy không tải n_0	min ⁻¹	2400
Tốc độ khoảng chạy có tải	min ⁻¹	1500
Công suất cắt thép tấm tối đa ^{A)}	mm	2,0
Bề rộng đường cắt	mm	6
Bán kính đường cong nhỏ nhất	mm	3
Trọng lượng theo Qui trình EPTA-Procedure 01:2014	kg	2,0

Máy Cắt Gặm

GNA 2,0

Cấp độ bảo vệ

□/II

A) liên quan đến thép tấm đến 400 N/mm²

Các giá trị đã cho có hiệu lực cho điện thế danh định [U] 230 V. Đối với điện thế thấp hơn và các loại máy dành riêng cho một số quốc gia, các giá trị này có thể thay đổi.

Vận Hành

Bắt Đầu Vận Hành

- ▶ **Hãy cẩn thận với nguồn điện! Điện thế nguồn phải đúng với điện thế đã ghi rõ trên nhãn máy. Dụng cụ điện được ghi 230 V cũng có thể được vận hành ở 220 V.**

Bật/tắt

Để **bật** dụng cụ điện hãy đẩy công tắc bật/tắt (1) ra trước, để trên công tắc I xuất hiện.

Để **tắt** dụng cụ điện hãy đẩy công tắc bật/tắt (1) lên trên, để trên công tắc 0 xuất hiện.

Khóa chặt/Nới lỏng Khuôn Rập

Để cắt thẳng hãy siết chặt vít kẹp (3) bằng chia vặn lục giác (Độ mở chia vặn 2,5 mm), để khóa chặt ụ ren (4).

Nới lỏng vít kẹp (3) cho đoạn cắt cong. Khuôn rập (4) hiện có thể di chuyển tự do và được thiết lập theo hướng lực cấp liệu.

Hướng Dẫn Sử Dụng

- ▶ **Trước khi tiến hành bất cứ việc gì trên máy, kéo phích cắm điện nguồn ra.**
- ▶ **Dụng cụ điện không phù hợp cho vận hành tĩnh.** Không được phép kẹp vào một ê-tô hoặc gắn trên một bàn máy.
- ▶ **Hãy đeo gang tay bảo vệ khi làm việc và đặc biệt lưu ý dây nguồn.** Phoi vận sắc nhọn phát sinh khi cắt thép tấm và có thể gây thương tích cho người vận hành máy hay gây hư hỏng dây cắm điện nguồn.
- ▶ **Cẩn thận khi xử lý vỏ bảo.** Các phoi cắt có đầu nhọn có thể gây thương tích.

Chỉ cho máy gia công vật liệu khi máy đã hoạt động. Luôn luôn giữ máy thẳng đứng so với bề mặt của tấm thép và không làm tấm thép bị oằn hay nghiêng.

Sự cắt xảy ra trong quá trình chuyển động lên của mũi đột dập. Đẩy máy đều tay và cho nạp tải vừa phải đi theo chiều cắt. Sự nạp tải quá mức làm giảm đáng kể tuổi thọ của dụng cụ cắt và có thể làm hư hỏng máy.

Nếu giả như mũi đột dập bị chèn chặt trong khi cắt, tắt máy ngay, bôi trơn lại mũi đột dập và giải phóng sự căng kéo của tấm thép. Không được dùng sức mạnh, nếu không, mũi đột dập và khuôn rập sẽ bị hư hỏng.

Công suất cắt thép tấm tối đa

Công suất cắt thép tấm tối đa d_{max} phụ thuộc vào độ bền của vật liệu cần gia công.

Máy cho phép gia công cắt kim loại tấm có độ dày như sau:

Nguyên liệu	độ bền tối đa (N/mm ²)	d_{max} (mm)
Thép	400	2,0
	600	1,4
	800	1,0
Nhôm	200	2,5

Bôi Tron/Làm Ngươi Mũi Đập Dập

Để kéo dài tuổi thọ của khuôn dập (5) bạn cần sử dụng chất bôi trơn có chức năng làm mát tốt (ví dụ dầu cắt gọt).

Hãy thoa một vệt chất bôi trơn lên mặt trên của tấm thép dọc đường cắt dự kiến.

Khi làm việc lâu hoặc làm việc với độ mòn cao (ví dụ cắt nhôm) bạn cần thường xuyên nhúng dụng cụ gài vào bình chứa chất bôi trơn.

Cắt dọc theo Vạch Cắt hay sử dụng Dưỡng

Đường cắt thẳng được thực hiện dễ dàng hơn khi máy được cấp vào thước để gia công.

Có thể cắt vòng quanh biên bằng cách cho máy chạy cấp theo khuôn dưỡng.

Để cắt bên trong, cần khoan trước đường kính 16 mm.

Bảo Dưỡng và Bảo Quản

Bảo Dưỡng Và Làm Sạch

- ▶ Trước khi tiến hành bất cứ việc gì trên máy, kéo phích cắm điện nguồn ra.
- ▶ Để được an toàn và máy hoạt động đúng chức năng, luôn luôn giữ máy và các khe thông gió được sạch.

Nếu như cần phải thay dây dẫn điện thì công việc này phải do hãng **Bosch**, hay một đại lý được **Bosch** ủy nhiệm thực hiện để tránh gặp sự nguy hiểm do mất an toàn.

Làm sạch và bôi dầu cho mũi đập (5) và khuôn dập (4) cứ 3 giờ vận hành một lần.

Hãy thay mũi đập và khuôn dập đã mòn vào đúng thời điểm, bởi vì chỉ dụng cụ sắc bén mới tạo ra chất lượng cắt tốt và làm tăng tuổi thọ của máy. Không mài lại mũi đập (5) và khuôn dập (4).

Thay Khuôn Rập

Hãy nối lỏng vít kẹp (4) khi khuôn dập được khóa (3).

Hãy tháo đai ốc mũ (2) bằng chìa vận hành đĩa (độ mở chìa vận 30 mm). Hãy tháo khuôn dập (4).

Hãy lắp một khuôn dập mới đã được bôi dầu (4). Siết chặt lại đai ốc mũ (2).

Thay Mũi Đập Dập

Để thay mũi đập dập (5) hãy tháo khuôn dập (4) như mô tả trên.

Sau đó tháo bu lông rỗng (6) và tháo mũi đập dập (5).

Hãy lắp một mũi đập dập mới đã được bôi dầu (5) và siết chặt với bu lông rỗng (6). Hãy gắn khuôn dập (4) lại như mô tả trên.

Phụ kiện/Phụ tùng thay thế

Khuôn dập (Universal) 2 608 639 900

Mũi đập dập:

– cho đoạn cắt cong	2 608 639 013
– cho đoạn cắt thẳng	2 608 639 016
– Universal	2 608 639 022

Đối với các tấm có dạng đơn sóng hay đã định hình có độ dày lên đến 1,2 mm:

– Khuôn dập	2 608 639 021
– Bộ (Mũi đập dập/khuôn dập)	2 608 639 902

Dịch vụ hỗ trợ khách hàng và tư vấn sử dụng

Bộ phận phục vụ hàng sau khi bán của chúng tôi trả lời các câu hỏi liên quan đến việc bảo dưỡng và sửa chữa các sản phẩm cũng như phụ tùng thay thế của bạn. Sơ đồ mô tả và thông tin về phụ tùng thay thế cũng có thể tra cứu theo dưới đây:

www.bosch-pt.com

Đội ngũ tư vấn sử dụng của Bosch sẽ giúp bạn giải đáp các thắc mắc về sản phẩm và phụ kiện.

Trong tất cả các phản hồi và đơn đặt phụ tùng, xin vui lòng luôn luôn nhập số hàng hóa 10 chữ số theo nhãn của hàng hóa.

Việt Nam

CN CÔNG TY TNHH BOSCH VIỆT NAM TẠI TP.HCM

Tầng 14, Ngõ Nhà Đức, 33 Lê Duẩn

Phường Bến Nghé, Quận 1, Thành Phố Hồ Chí Minh

Tel.: (028) 6258 3690

Fax: (028) 6258 3692 - 6258 3694

Hotline: (028) 6250 8555

Email: tuvankhachhang-pt@vn.bosch.com

www.bosch-pt.com.vn

www.baohanhbosch-pt.com.vn

Campuchia

Công ty TNHH Robert Bosch (Campuchia)

Đơn nguyên 8BC, GT Tower, Tầng 08, Đường 169,

Tiếp Khắc Blvd, Sangkat Veal Vong,

Khan 7 Makara, Phnom Penh

VAT TIN: 100 169 511

Tel.: +855 23 900 685

Tel.: +855 23 900 660

www.bosch.com.kh

Sự thải bỏ

Máy, linh kiện và bao bì phải được phân loại để tái chế theo hướng thân thiện với môi trường.



Không được thải bỏ dụng cụ điện vào chung với rác sinh hoạt!

Français

Consignes de sécurité

Avertissements de sécurité généraux pour l'outil électrique

AVERTISSEMENT Lire tous les avertissements de sécurité, les instructions, les illustrations et les spécifications fournies avec cet outil électrique.

Ne pas suivre les instructions énumérées ci-dessous peut provoquer un choc électrique, un incendie et/ou une blessure sérieuse.

Conserver tous les avertissements et toutes les instructions pour pouvoir s'y reporter ultérieurement.

Le terme "outil électrique" dans les avertissements fait référence à votre outil électrique alimenté par le secteur (avec cordon d'alimentation) ou votre outil électrique fonctionnant sur batterie (sans cordon d'alimentation).

Sécurité de la zone de travail

- ▶ **Conserver la zone de travail propre et bien éclairée.** Les zones en désordre ou sombres sont propices aux accidents.
- ▶ **Ne pas faire fonctionner les outils électriques en atmosphère explosive, par exemple en présence de liquides inflammables, de gaz ou de poussières.** Les outils électriques produisent des étincelles qui peuvent enflammer les poussières ou les fumées.
- ▶ **Maintenir les enfants et les personnes présentes à l'écart pendant l'utilisation de l'outil électrique.** Les distractions peuvent vous faire perdre le contrôle de l'outil.

Sécurité électrique

- ▶ **Il faut que les fiches de l'outil électrique soient adaptées au socle. Ne jamais modifier la fiche de quelque façon que ce soit. Ne pas utiliser d'adaptateurs avec des outils électriques à branchement de terre.** Des fiches non modifiées et des socles adaptés réduisent le risque de choc électrique.
- ▶ **Éviter tout contact du corps avec des surfaces reliées à la terre telles que les tuyaux, les radiateurs, les cuisinières et les réfrigérateurs.** Il existe un risque accru de choc électrique si votre corps est relié à la terre.
- ▶ **Ne pas exposer les outils électriques à la pluie ou à des conditions humides.** La pénétration d'eau à l'intérieur

d'un outil électrique augmente le risque de choc électrique.

- ▶ **Ne pas maltraiter le cordon. Ne jamais utiliser le cordon pour porter, tirer ou débrancher l'outil électrique. Maintenir le cordon à l'écart de la chaleur, du lubrifiant, des arêtes vives ou des parties en mouvement.** Des cordons endommagés ou emmêlés augmentent le risque de choc électrique.
- ▶ **Lorsqu'on utilise un outil électrique à l'extérieur, utiliser un prolongateur adapté à l'utilisation extérieure.** L'utilisation d'un cordon adapté à l'utilisation extérieure réduit le risque de choc électrique.
- ▶ **Si l'usage d'un outil électrique dans un emplacement humide est inévitable, utiliser une alimentation protégée par un dispositif à courant différentiel résiduel (RCD).** L'usage d'un RCD réduit le risque de choc électrique.

Sécurité des personnes

- ▶ **Rester vigilant, regarder ce que vous êtes en train de faire et faire preuve de bon sens dans votre utilisation de l'outil électrique. Ne pas utiliser un outil électrique lorsque vous êtes fatigué ou sous l'emprise de drogues, de l'alcool ou de médicaments.** Un moment d'inattention en cours d'utilisation d'un outil électrique peut entraîner des blessures graves.
- ▶ **Utiliser un équipement de protection individuelle. Toujours porter une protection pour les yeux.** Les équipements de protection individuelle tels que les masques contre les poussières, les chaussures de sécurité antidérapantes, les casques ou les protections auditives utilisés pour les conditions appropriées réduisent les blessures.
- ▶ **Éviter tout démarrage intempestif. S'assurer que l'interrupteur est en position arrêt avant de brancher l'outil au secteur et/ou au bloc de batteries, de le ramasser ou de le porter.** Porter les outils électriques en ayant le doigt sur l'interrupteur ou brancher des outils électriques dont l'interrupteur est en position marche est source d'accidents.
- ▶ **Retirer toute clé de réglage avant de mettre l'outil électrique en marche.** Une clé laissée fixée sur une partie tournante de l'outil électrique peut donner lieu à des blessures.
- ▶ **Ne pas se précipiter. Garder une position et un équilibre adaptés à tout moment.** Cela permet un meilleur contrôle de l'outil électrique dans des situations inattendues.
- ▶ **S'habiller de manière adaptée. Ne pas porter de vêtements amples ou de bijoux. Garder les cheveux et les vêtements à distance des parties en mouvement.** Des vêtements amples, des bijoux ou les cheveux longs peuvent être pris dans des parties en mouvement.
- ▶ **Si des dispositifs sont fournis pour le raccordement d'équipements pour l'extraction et la récupération des poussières, s'assurer qu'ils sont connectés et correc-**

tement utilisés. Utiliser des collecteurs de poussière peut réduire les risques dus aux poussières.

- ▶ **Rester vigilant et ne pas négliger les principes de sécurité de l'outil sous prétexte que vous avez l'habitude de l'utiliser.** Une fraction de seconde d'inattention peut provoquer une blessure grave.

Utilisation et entretien de l'outil électrique

- ▶ **Ne pas forcer l'outil électrique. Utiliser l'outil électrique adapté à votre application.** L'outil électrique adapté réalise mieux le travail et de manière plus sûre au régime pour lequel il a été construit.
- ▶ **Ne pas utiliser l'outil électrique si l'interrupteur ne permet pas de passer de l'état de marche à arrêt et inversement.** Tout outil électrique qui ne peut pas être commandé par l'interrupteur est dangereux et il faut le réparer.
- ▶ **Débrancher la fiche de la source d'alimentation et/ou enlever le bloc de batteries, s'il est amovible, avant tout réglage, changement d'accessoires ou avant de ranger l'outil électrique.** De telles mesures de sécurité préventives réduisent le risque de démarrage accidentel de l'outil électrique.
- ▶ **Conserver les outils électriques à l'arrêt hors de la portée des enfants et ne pas permettre à des personnes ne connaissant pas l'outil électrique ou les présentes instructions de le faire fonctionner.** Les outils électriques sont dangereux entre les mains d'utilisateurs novices.
- ▶ **Observer la maintenance des outils électriques et des accessoires. Vérifier qu'il n'y a pas de mauvais alignement ou de blocage des parties mobiles, des pièces cassées ou toute autre condition pouvant affecter le fonctionnement de l'outil électrique. En cas de dommages, faire réparer l'outil électrique avant de l'utiliser.** De nombreux accidents sont dus à des outils électriques mal entretenus.
- ▶ **Garder affûtés et propres les outils permettant de couper.** Des outils destinés à couper correctement entretenus avec des pièces coupantes tranchantes sont moins susceptibles de bloquer et sont plus faciles à contrôler.
- ▶ **Utiliser l'outil électrique, les accessoires et les lames etc., conformément à ces instructions, en tenant compte des conditions de travail et du travail à réaliser.** L'utilisation de l'outil électrique pour des opérations différentes de celles prévues peut donner lieu à des situations dangereuses.
- ▶ **Il faut que les poignées et les surfaces de préhension restent sèches, propres et dépourvues d'huiles et de graisses.** Des poignées et des surfaces de préhension glissantes rendent impossibles la manipulation et le contrôle en toute sécurité de l'outil dans les situations inattendues.

Maintenance et entretien

- ▶ **Faire entretenir l'outil électrique par un réparateur qualifié utilisant uniquement des pièces de rechange**

identiques. Cela assure le maintien de la sécurité de l'outil électrique.

Consignes de sécurité pour grignoteuses

- ▶ **Cet outil électroportatif n'est pas conçu pour une utilisation stationnaire.** Ne le serrez pas dans un étau et ne le fixez pas à un établi.
- ▶ **Portez des gants de protection pendant l'utilisation et veillez surtout à ne pas entailler le câble secteur.** Les tôles coupées présentent des arêtes vives qui risquent de vous blesser ou d'endommager le câble secteur.

Description des prestations et du produit



Lisez attentivement toutes les instructions et consignes de sécurité. Le non-respect des instructions et consignes de sécurité peut provoquer un choc électrique, un incendie et/ou entraîner de graves blessures.

Référez-vous aux illustrations qui se trouvent à l'avant de la notice d'utilisation.

Utilisation conforme

Cet outil électroportatif est conçu pour le découpage de tôles sans déformation du matériau, et il est approprié pour effectuer des coupes droites, des découpes ainsi que des courbes à très faible rayon.

Éléments constitutifs

La numérotation des éléments de l'appareil se réfère à la représentation de l'outil électroportatif sur la page graphique.

- (1) Interrupteur Marche/Arrêt
- (2) Écrou-raccord pour matrice
- (3) Vis de serrage pour matrice
- (4) Matrice
- (5) Poinçon
- (6) Vis à tête creuse pour fixation du poinçon

Caractéristiques techniques

Grignoteuse	GNA 2,0	
Référence		0 601 530 1..
Puissance absorbée nominale	W	500
Puissance débitée	W	270
Cadence de coupe à vide n_0	min^{-1}	2400
Nombre de courses sous charge	min^{-1}	1500
Épaisseur de tôle max. à couper ^{A)}	mm	2,0
Largeur de coupe	mm	6
Rayon de courbe minimal	mm	3

Grignoteuse		GNA 2,0
Poids selon EPTA-Procédure 01:2014	kg	2,0
Indice de protection		□/II

A) par rapport aux tôles d'acier jusqu'à 400 N/mm²
 Les données indiquées sont valables pour une tension nominale [U] de 230 V. Elles peuvent varier lorsque la tension diffère de cette valeur et sur certaines versions destinées à certains pays.

Utilisation

Mise en marche

- **Tenez compte de la tension du réseau ! La tension de la source de courant doit correspondre aux indications se trouvant sur la plaque signalétique de l'outil électroportatif. Les outils électroportatifs marqués 230 V peuvent également fonctionner sur 220 V.**

Mise en marche/arrêt

Pour **mettre en marche** l'outil électroportatif, poussez l'interrupteur Marche/Arrêt (1) vers l'avant dans la position I.

Pour **arrêter** l'outil électroportatif, poussez l'interrupteur Marche/Arrêt (1) vers l'arrière dans la position 0.

Bloquer/débloquer la matrice

Pour des coupes droites, serrez la vis de serrage (3) à l'aide d'une clé mâle à six pans creux (2,5 mm) pour bloquer la matrice (4).

Pour les coupes curvilignes, desserrez la vis de serrage (3). La matrice (4) peut alors bouger et se règle dans le sens de la force d'avance.

Instructions d'utilisation

- **Débranchez le câble d'alimentation de la prise avant d'effectuer des travaux quels qu'il soient sur l'outil électroportatif.**
- **Cet outil électroportatif n'est pas conçu pour une utilisation stationnaire.** Ne le serrez pas dans un étau et ne le fixez pas à un établi.
- **Portez des gants de protection pendant l'utilisation et veillez surtout à ne pas entailler le câble secteur.** Les tôles coupées présentent des arêtes vives qui risquent de vous blesser ou d'endommager le câble secteur.
- **Prudence lors du maniement des copeaux.** Les copeaux ont des pointes tranchantes sur lesquelles on peut se blesser.

N'approchez l'outil électroportatif de la pièce à travailler que quand l'appareil est en marche. Tenez toujours l'outil électroportatif verticalement par rapport à la surface de la tôle et ne le coincez pas.

Le processus de coupe s'effectue pendant la montée du poinçon. Guidez l'outil électroportatif de façon régulière et en effectuant une avance modérée dans le sens de la coupe. Une avance trop forte réduit considérablement la durée de vie des outils électroportatifs et peut endommager l'outil électroportatif.

Au cas où le poinçon se coincerait pendant la coupe, éteignez l'outil électroportatif, regraissez le poinçon et détendez la tôle. Ne pas forcer pour ne pas endommager le poinçon et la matrice.

Épaisseur de tôle max. à couper

L'épaisseur de tôle max. à couper d_{max} dépend de la solidité du matériau à travailler.

Avec l'outil électroportatif, il est possible de couper des tôles jusqu'à l'épaisseur suivante :

Solidité	max. du matériau (N/mm ²)	d_{max} (mm)
Acier	400	2,0
	600	1,4
	800	1,0
Aluminium	200	2,5

Graisser/refroidir le poinçon

Afin de prolonger la durée de vie du poinçon (5), il est recommandé d'utiliser un lubrifiant disposant d'une bonne fonction de refroidissement (par ex. huile de coupe).

Appliquez une trace de lubrifiant sur la surface de la tôle le long de la coupe prévue.

Lors de travaux plus longs ou de travaux avec un grand enlèvement de matière (par ex. coupe d'aluminium), immergez l'accessoire de travail régulièrement dans un réservoir contenant du lubrifiant.

Couper après traçage ou avec gabarit

Les coupes droites peuvent être effectuées plus facilement si vous guidez l'outil électroportatif le long d'une règle.

Les contours peuvent être coupés en guidant l'outil électroportatif le long d'un gabarit.

Les découpes internes nécessitent un préperçage de 16 mm de diamètre.

Entretien et Service après-vente

Nettoyage et entretien

- **Débranchez le câble d'alimentation de la prise avant d'effectuer des travaux quels qu'il soient sur l'outil électroportatif.**
- **Tenez toujours propres l'outil électroportatif ainsi que les fentes de ventilation afin d'obtenir un travail impeccable et sûr.**

Dans le cas où il s'avère nécessaire de remplacer le câble d'alimentation, confiez le remplacement à **Bosch** ou une station de Service Après-Vente agréée pour outillage **Bosch** afin de ne pas compromettre la sécurité.

Nettoyez et graissez le poinçon (5) et la matrice (4) toutes les 3 heures de service.

Remplacez à temps le poinçon et la matrice dans le cas d'usure, car seuls des outils affûtés bénéficient d'une performance de coupe élevée et ménagent l'outil électroportatif.

Ni le poinçon (5) ni la matrice (4) ne doivent être réaffûtés.

Changement de la matrice

Lorsque la matrice (4) est bloquée, desserrez la vis de serrage (3).

À l'aide d'une clé plate (30 mm), dévissez l'écrou-raccord (2). Desserrez la matrice (4).

Montez une nouvelle matrice (4), bien huilée. Resserrez l'écrou-raccord (2).

Changement du poinçon

Pour remplacer le poinçon (5), enlevez la matrice (4) en suivant la procédure décrite précédemment.

Desserrez la vis à tête creuse (6) et retirez le poinçon (5).

Montez un poinçon (5) neuf, bien huilé et serrez-le au moyen de la vis à tête creuse (6). Resserrez la matrice (4) en suivant la procédure décrite précédemment.

Accessoires/pièces de rechange

Matrice (universelle)	2 608 639 900
Poinçon :	
– pour coupes curvilignes	2 608 639 013
– pour coupes droites	2 608 639 016
– universel	2 608 639 022

Pour tôles ondulées et profilées jusqu'à 1,2 mm d'épaisseur :

– Matrice	2 608 639 021
– Set (poinçon/matrice)	2 608 639 902

Service après-vente et conseil utilisateurs

Notre Service après-vente répond à vos questions concernant la réparation et l'entretien de votre produit et les pièces de rechange. Vous trouverez des vues éclatées et des informations sur les pièces de rechange sur le site : www.bosch-pt.com

L'équipe de conseil utilisateurs Bosch se tient à votre disposition pour répondre à vos questions concernant nos produits et leurs accessoires.

Pour toute demande de renseignement ou toute commande de pièces de rechange, précisez impérativement la référence à 10 chiffres figurant sur l'étiquette signalétique du produit.

Algérie

Siestal
Zone Industrielle Ihaddaden
06000 Bejaia
Tel. : +213 (0) 982 400 991/2
Fax : +213 (0) 3 420 1569
E-Mail : sav@siestal-dz.com

Maroc

Robert Bosch Morocco SARL
53, Rue Lieutenant Mahroud Mohamed
20300 Casablanca
Tel. : +212 5 29 31 43 27
E-Mail : sav.outillage@ma.bosch.com

Tunisie

Robert Bosch Tunisie SARL
7 Rue Ibn Battouta Z.I. Saint Gobain
Mégrine Riadh
2014 Ben Arous
Tél. : +216 71 427 496/879
Fax : +216 71 428 621
E-Mail : sav.outillage@tn.bosch.com

Côte d'Ivoire

Rimco
ZONE 3, 9 RUE DU CANAL
01 BP V230, Abidjan 01
Tel. : +225 21 25 93 38

Sénégal

Bernabé
Km 2,5 – Bd du Centenaire de la Commune de Dakar
B.P. 2098 DAKAR
Tel. : +221 33 849 01 01
Fax : +221 33 823 34 20

Élimination des déchets

Les outils électroportatifs, ainsi que leurs accessoires et emballages, doivent pouvoir suivre chacun une voie de recyclage appropriée.



Ne jetez pas les outils électroportatifs avec les ordures ménagères !

مخصص للاستعمال الخارجي من خطر الصدمات الكهربائية.

◀ **إن لم يكن بالإمكان تجنب تشغيل العدة الكهربائية في الأجواء الرطبة، فاستخدم مفتاح للوقاية من التيار المتخلف.** إن استخدام مفتاح للوقاية من التيار المتخلف يقلل خطر الصدمات الكهربائية.

أمان الأشخاص

◀ **كن يقظا وانتبه إلى ما تفعله واستخدم العدة الكهربائية بتعقل.** لا تستخدم عدة كهربائية عندما تكون متعبا أو عندما تكون تحت تأثير المخدرات أو الكحول أو الأدوية. عدم الانتباه للحظة واحدة عند استخدام العدة الكهربائية قد يؤدي إلى إصابات خطيرة.

◀ **قم لارتداء تجهيزات الحماية الشخصية. وارتد دائما نظارات واقية.** يعد ارتداء تجهيزات الحماية الشخصية، كقناع الوقاية من الغبار وأحذية الأمان الواقية من الانزلاق والحدوث أو واقية الأذنين، حسب ظروف استعمال العدة الكهربائية، من خطر الإصابة بجروح.

◀ **تجنب التشغيل بشكل غير مقصود.** تأكد من كون العدة الكهربائية مطفأة قبل توصيلها بالتيار الكهربائي و/أو بالمركم، وقبل رفعها أو حملها. إن كنت تضع إصبعك على المفتاح أثناء حمل العدة الكهربائية أو إن وصلت الجهاز بالشبكة الكهربائية بينما لامفتاح على وضع التشغيل، قد يؤدي إلى وقوع الحوادث.

◀ **انزع أداة الضبط أو مفتاح الربط قبل تشغيل العدة الكهربائية.** قد تؤدي الأداة أو المفتاح المتواجد في جزء دوار من الجهاز إلى الإصابة بجروح.

◀ **تجنب أوضاع الجسم غير الطبيعية.** قف بأمان وحافظ على توازنك دائما. سيسمح لك ذلك بالتمكّن في الجهاز بشكل أفضل في المواقف الغير متوقعة.

◀ **قم بارتداء ثياب مناسبة.** لا ترتد الثياب الفضفاضة أو الملّية. احرص على إبقاء الشعر والملابس بعيدا عن الأجزاء المتحركة. قد تشابك الثياب الفضفاضة والملّية والشعر الطويل بالأجزاء المتحركة.

◀ **إن جاز تركيب تجهيزات شفط وتجميع الغبار، فتأكد من أنها موصولة وبأنه يتم استخدامها بشكل سليم.** قد يقلل استخدام تجهيزات لشفط الغبار من المخاطر الناتجة عن الغبار.

◀ **لا تستخدم العدة الكهربائية بلا مبالاة وتتجاهل قواعد الأمان الخاصة بها نتيجة لتعودك على استخدام العدة الكهربائية وكثرة استخدامها.** فقد يتسبب الاستعمال دون حرص في حدوث إصابة بالغة تحدث في أجزاء من الثانية.

حسن معاملة واستخدام العدد الكهربائية

◀ **لا تفرط بتحميل الجهاز. استخدم لتفنيذ أشغالك العدة الكهربائية المخصصة لذلك.** إنك تعمل بشكل أفضل وأكثر أماناً بواسطة العدة الكهربائية الملائمة في مجال الأداء المذكور.

◀ **لا تستخدم العدة الكهربائية إن كان مفتاح تشغيلها تالف.** العدة الكهربائية التي لم يعد من

عربي

إرشادات الأمان

الإرشادات العامة للأمان بالعدد الكهربائية

⚠ **تحذير** اطلع على كافة تحذيرات الأمان والتعليمات والصور والمواصفات المرفقة بالعدة الكهربائية. عدم اتباع التعليمات الواردة أدناه قد يؤدي إلى حدوث صدمة كهربائية، إلى نشوب حريق و/أو الإصابة بجروح خطيرة.

احتفظ بجميع الملاحظات التحذيرية والتعليمات للمستقبل.

يقصد بمصطلح «العدة الكهربائية» المستخدم في الملاحظات التحذيرية، العدد الكهربائي الموصولة بالشبكة الكهربائية (بواسطة كابل الشبكة الكهربائية) وأيضا العدد الكهربائي المزودة بمركم (دون كابل الشبكة الكهربائية).

الأمان بمكان الشغل

◀ **حافظ على نظافة مكان شغلك وإضاءته بشكل جيد.** الفوضى في مكان الشغل ونطاقات العمل غير المضأة قد تؤدي إلى وقوع الحوادث.

◀ **لا تشغل بالعدة الكهربائية في نطاق معرض لخطر الانفجار مثل الأماكن التي تتوفر فيه السوائل أو الغازات أو الأعبئة القابلة للاشتعال.** العدد الكهربائي تولد شررا قد يتطاير، فيشعل الأعبئة والأبخرة.

◀ **حافظ على بقاء الأطفال وغيرهم من الأشخاص بعيدا عندما تستعمل العدة الكهربائية.** تشتيت الانتباه قد يتسبب في فقدان السيطرة على الجهاز.

الأمان الكهربائي

◀ **يجب أن يتلائم قابس العدة الكهربائية مع المقبس.** لا يجوز تغيير القابس بأي حال من الأحوال. لا تستعمل القوابس المهائية مع العدد الكهربائية المؤرّضة (ذات طرف أرضي). تخفّف القوابس التي لم يتمّ تغييرها والمقابس الملائمة من خطر الصدمات الكهربائية.

◀ **تجنب ملامسة جسمك للأسطح المؤرّضة كالأنابيب والمبردات والمواقد أو التلّاجات.** يزداد خطر الصدمات الكهربائية عندما يكون جسمك مَوْض أو موصل بالأرضي.

◀ **أبعد العدة الكهربائية عن الأمطار أو الرطوبة.** يزداد خطر الصدمات الكهربائية إن تسرب الماء إلى داخل العدة الكهربائية.

◀ **لا تسيّ استعمال الكابل.** لا تستخدم الكابل في حمل العدة الكهربائية أو سحبها أو سحب القابس من المقبس. احرص على إبعاد الكابل عن الحرارة والزيت والحواف الحادة أو الأجزاء المتحركة. تزيد الكابلات التالفة أو المتشابكة من خطر الصدمات الكهربائية.

◀ **عند استخدام العدة الكهربائية خارج المنزل اقتصر على استخدام كابلات التمديد الصالحة للاستعمال الخارجي.** يقلل استعمال كابل تمديد

وصف المنتج والأداء

اقرأ جميع إرشادات الأمان والتعليمات. ارتكاب الأخطاء عند تطبيق إرشادات الأمان والتعليمات، قد يؤدي إلى حدوث صدمات كهربائية أو إلى نشوب الحرائق و/أو الإصابة بجروح خطيرة.



يرجى الرجوع إلى الصور الموجودة في الجزء الأول من دليل التشغيل.

الاستعمال المخصص

لقد خصصت العدة الكهربائية لقطع الصفائح المعدنية دون تشويه شكل المادة وتصلح لإجراء القطوع المستقيمة وقص الأشكال والمنحنيات الضيقة.

الأجزاء المصورة

يشير ترقيم الأجزاء المصورة إلى رسوم العدة الكهربائية الموجودة في صفحة الرسوم التخطيطية.

- (1) مفتاح التشغيل والإطفاء
- (2) صامولة وصل للقالب
- (3) لولب زنق للقالب
- (4) قالب
- (5) سنك
- (6) لولب مجوف لتثبيت السنك

البيانات الفنية

مقرضة	GNA 2,0
رقم الصنف	0 601 530 1..
قدرة الدخّل الاسمية	500 واط
قدرة الخرج	270 واط
عدد الأشواط للاحملي n_0 دقيقة ⁻¹	2400
عدد الأشواط على حمل دقيقة ⁻¹	1500
أقصى سمك للصفائح المعدنية المراد قصها ^(A)	2,0 مم
عرض خط القطع	6 مم
أقل نصف قطر للمنحنى	3 مم
الوزن حسب EPTA-Procedure 01:2014	2,0 كجم
فئة الحماية	II/□

(A) مسوب إلى صفائح الفولاذ حتى 400 نيوتن/مم² تسري البيانات على جهد اسمي [U] يبلغ 230 فلت. قد تختلف تلك البيانات حسب اختلاف الجهد والطرزات الخاصة بكل دولة.

التشغيل

بدء التشغيل

◀ يراعى جهد الشبكة الكهربائية! يجب أن يتطابق جهد منبع التيار مع البيانات المذكورة على لوحة صنع العدة الكهربائية. يمكن أن يتم تشغيل العدد الكهربائية المميزة بعلامة 230 فلت في مقبس 220 فلت أيضا.

الممكن التحكم بها عن طريق مفتاح التشغيل والإطفاء تعتبر خطيرة ويجب أن يتم إصلاحها.
◀ اسحب القابس من المقبس و/أو اخلع المركب، إذا كان قابلا للخلع، قبل ضبط الجهاز وقبل استبدال الملحقات أو قبل تخزين الجهاز. تمنع هذه الإجراءات وقائية تشغيل العدة الكهربائية بشكل غير مقصود.

◀ احتفظ بالعدد الكهربائية التي لا يتم استخدامها بعيدا عن متناول الأطفال. لا تسمح باستخدام العدة الكهربائية لمن لا خبرة له بها أو لمن لم يقرأ تلك التعليمات. العدد الكهربائية خطيرة إن تم استخدامها من قبل أشخاص دون خبرة.

◀ اعتن بالعدة الكهربائية والملحقات بشكل جيد. تأكد أن أجزاء الجهاز المتحركة مركبة بشكل سليم وغير مستعصية عن الحركة، وتفحص ما إن كانت هناك أجزاء مكسورة أو في حالة تؤثر على سلامة أداء العدة الكهربائية. ينبغي إصلاح هذه الأجزاء التالفة قبل إعادة تشغيل الجهاز. الكثير من الموادث مصدرها العدد الكهربائية التي تتم صيانتها بشكل رديء.

◀ احرص على إبقاء عدد القطع نظيفة وحادة. إن عدد القطع ذات حواف القطع المادة التي تم صيانتها بعناية تتكلم بشكل أقل ويمكن توجيهها بشكل أيسر.

◀ استخدم العدد الكهربائية والتوابع وريش الشغل إلخ. وفقا لهذه التعليمات. تراعى أثناء ذلك ظروف الشغل والعمل المراد تنفيذه. استخدام العدد الكهربائية لغير الأشغال المخصصة لأجلها قد يؤدي إلى حدوث الحالات الخطيرة.
◀ احرص على إبقاء المقابض وأسطح المسك جافة ونظيفة وخالية من الزيوت والشحوم. المقابض وأسطح المسك الزلقة لا تتبع التشغيل والتحكم الآمن في العدة في المواقف غير المتوقعة.

الخدمة

◀ احرص على إصلاح عدتك الكهربائية فقط بواسطة العمال المتخصصين وباستعمال قطع الغيار الأصلية فقط. يضمن ذلك المحافظة على أمان الجهاز.

ملاحظات الأمان للمقرضة

◀ العدة الكهربائية غير مناسبة للتشغيل من قاعدة ثابتة. فلا يجوز على سبيل المثال الشد بملزمة أو التثبيت على طاولة عمل.

◀ احرص على ارتداء قفازي حماية أثناء العمل، وانتبه بشكل خاص إلى كابل الشبكة الكهربائية. تتشكل الحواف المادة بالصفائح المعدنية التي تم قصها، وقد تؤدي إلى إصابتك بجروح أو إلى إتلاف كابل الشبكة الكهربائية.

تزييق/تبريد السنك

لإطالة العمر الافتراضي للسنك (5) ينبغي استخدام مادة تزييق بخواص تبريد جيدة (على سبيل المثال زيت القطع).

ضع خطا من مادة التزييق على الجانب العلوي للوح على امتداد خط القطع المرغوب.

في حالة العمل لفترات طويلة أو عند إجراء الأعمال ذات درجة الحك الكبيرة (على سبيل المثال تقطيع الألومنيوم) ينبغي غمر عدة الشغل في وعاء مملوء بمادة التزييق على فترات منتظمة.

القص بعد عمل ثقب تمهيدية أو بواسطة طبعة معايرة

يسهل إجراء القطوع المستقيمة من خلال تسيير العدة الكهربائية على حافة مسطرة.

يمكن قص المواف من خلال تسيير العدة الكهربائية على حافة طبعة معايرة.

لعمل قطوع داخلية يلزم عمل ثقب تمهيدي بقطر 16 مم.

الصيانة والخدمة**الصيانة والتنظيف**

◀ اسحب القابس من مقبس الشبكة الكهربائية قبل إجراء أي عمل على العدة الكهربائية.

◀ للعمل بشكل جيد وآمن حافظ دائما على نظافة العدة الكهربائية وفتحات التهوية.

إذا تطلب الأمر استبدال خط الإمداد، فينبغي أن يتم ذلك من قبل شركة Bosch أو من قبل مركز خدمة الزبائن المعتمد لشركة Bosch للعدد الكهربائية، لتجنب التعرض للمخاطر.

قم بتنظيف السنك (5) والقالب (4) وتزييتهما كل 3 ساعات تشغيل.

استبدل السنك والقالب في الوقت المناسب في حال تلفهما، إذ أن عدد الشغل المادة فقط هي التي تنتج قدرة القطع الجيدة وتضون العدة الكهربائية.

لا يجوز إعادة شحذ السنك (5) والقالب (4).

استبدال القالب

في حالة تثبيت القالب (4) قم بفك لولب الزنق (3).

قم بفك صامولة الوصل (2) باستخدام مفتاح هلال (مقاس المفتاح 30 مم). قم بفك القالب (4).

قم بتركيب قالب جديد مزيت تزييتا جيدا (4). أحكم ربط صامولة الوصل (2) مرة أخرى.

استبدال السنك

لتغيير السنك (5) قم بإزالة القالب (4) بالطريقة المشروحة أعلاه.

بعدها قم بفك اللولب المجوف (6) وأخرج السنك (5).

قم بتركيب سنك (5) جديد مزيت تزييتا جيدا وقم بربطه باستخدام لولب مجوف (6). قم بتثبيت القالب (4) مرة أخرى كما هو مشروح أعلاه.

التوابع/قطع الخيار

قالب (عام) 2 608 639 900
سنك:

التشغيل والإيقاف

لغرض تشغيل العدة الكهربائية، قم بتمريك مفتاح التشغيل والإطفاء (1) إلى الأمام، إلى أن تظهر ا بالمفتاح.

لغرض إطفاء العدة الكهربائية قم بتمريك مفتاح التشغيل والإطفاء (1) إلى الخلف، إلى أن يظهر 0 بالمفتاح.

تثبيت فك القالب

لعمل قطوع مستقيمة قم بربط لولب الزنق (3) باستخدام مفتاح سداسي الرأس المجوف (مقاس المفتاح 2,5 مم)، لكي يتم تثبيت القالب (4).

قم بفك لولب زنق (3) لعمل قطوع منحنية. أصبح القالب (4) الآن حر الحركة، ويتوجه تلقائيا إلى اتجاه قوة الدفع.

إرشادات العمل

◀ اسحب القابس من مقبس الشبكة الكهربائية قبل إجراء أي عمل على العدة الكهربائية.

◀ العدة الكهربائية غير مناسبة للتشغيل من قاعدة ثابتة. فلا يجوز على سبيل المثال الشد بملزمة أو التثبيت على طاولة عمل.

◀ احرص على ارتداء قفازي حماية أثناء العمل، وانتبه بشكل خاص إلى كابل الشبكة

الكهربائية. تتشكل الحواف الحادة بالصفائح المعدنية التي تم قصها، وقد تؤدي إلى إصابتك بجروح أو إلى إتلاف كابل الشبكة الكهربائية.

◀ توخ الحرص عند التعامل مع برادة القطع. إن برادة القطع حادة وقد تؤدي إلى إصابتك بجروح.

وجه العدة الكهربائية نحو قطعة الشغل فقط عندما تكون في حالة التشغيل. أمسك بالعدة الكهربائية دائما بشكل عمودي بالنسبة لسطح الصفيحة المعدنية ولا تميلها.

يتم القطع عند حركة السنك إلى الأعلى. قم بتوجيه العدة الكهربائية بشكل متزن وبضغط خفيف في اتجاه القطع. الدفع الأمامي الزائد يقلل إلى حد كبير من العمر الافتراضي لعدد الشغل ويمكن أن يسبب أضرار بالعدة الكهربائية.

في حال استعصاء السنك عن الحركة أثناء القص، فأطفئ العدة الكهربائية وشمم السنك وحل الشد عن الصفيحة المعدنية. لا تستعمل العنف وإلا فقد يتم إتلاف السنك والقالب.

تخن الصفائح المعدنية الأقصى المرغوب قصها

يتوقف أقصى سمك للألواح المراد قطعها d_{max} على درجة صلابة الخامة المراد معالجتها.

يمكن قص الصفائح المعدنية بالثخن التالي بواسطة العدة الكهربائية:

الخامة	أقصى درجة صلابة (نيوتن/مم ²)	d_{max} (مم)
فولاذ	400	2,0
	600	1,4
	800	1,0
ألومنيوم	200	2,5

الكويت

منطقة الشويخ الصناعية، مبنى 1، قطعة 16، شارع رقم 3
صندوق بريد صندوق 164 - 13002 الصفاة
هاتف: 24810844
فاكس: 24810879
بريد إلكتروني: josephkr@aaalmutawa.com

لبنان

طهيني هنا وشركاه ش.ذ.م.م.
صندوق بريد صندوق 449-90
جديده
الدورة-بيروت
هاتف: +9611255211
بريد إلكتروني: service-pt@tehini-hana.com

المغرب

Robert Bosch Morocco SARL
53، شارع الملازم محمد محروم
20300 الدار البيضاء
الهاتف: +212 5 29 31 43 27
البريد الإلكتروني: sav.outillage@ma.bosch.com

عمان

ملتن للتجارة والمقاولات ش.م.م.
صندوق بريد 131، روى، مسقط
الكود البريدي: 112، سلطنة عمان
هاتف: +968 2479 4035/4089/4901
جوال: +968-91315465
فاكس: +968 2479 4058
البريد الإلكتروني: sudhirkumar@malatan.net

قطر

الدولية لحلول البناء ش.م.م.
صندوق بريد صندوق 51،
هاتف الدوحة: +974 40065458
فاكس: +974 4453 8585
بريد إلكتروني: csd@icsdoha.com

المملكة العربية السعودية

شركة الجفلي للمعدات الفنية (جيتكو)
صندوق بريد: 1049 - جدة 21431 - المملكة العربية السعودية
جدة: 00966 (0) 12 692 0770 - داخلي 433
الرياض: 00966 (0) 11 409 3976 -
داخلي-30/34/39
الدمام: 00966 (0) 13 833 9565
البريد الإلكتروني: M.Zreik@eajb.com.sa

سوريا

مؤسسة دلال للمعدات الكهربائية
دمشق. شارع البرامكة - شارع بن عامر
هاتف: +963112241006 أو 009631122414009
الجوال: 00963991141005
البريد الإلكتروني: rita.dallal@hotmail.com

تونس

روبرت بوش تونس ش.ذ.م.م.
7 زرقة ابن بطوطة Z.a. سان جوبان
مقرين رياض
2014 ابن عروس
هاتف: +216 71 427 496/879

2 608 639 013	- للقطوع المنحنية
2 608 639 016	- للقطوع المستقيمة
2 608 639 022	- عام
	للألواح المموجة والقطاعية بسمك حتى 1,2 مم:
2 608 639 021	- قالب
2 608 639 902	- طقم (سنبك/قالب)

خدمة العملاء واستشارات الاستخدام

يجب مركز خدمة العملاء على الأسئلة المتعلقة بإصلاح المنتج وصيانتته، بالإضافة لقطع الغيار. تجد الرسوم التفصيلية والمعلومات الخاصة بقطع الغيار في الموقع: www.bosch-pt.com
يسر فريق Bosch لاستشارات الاستخدام مساعدتك إذا كان لديك أي استفسارات بخصوص منتجاتنا وملحقاتها.

يلزم ذكر رقم الصنف ذو الثانات العشر وفقاً للوحة صنع المنتج عند إرسال أية استفسارات أو طلبات قطع غيار.

الجزائر

سيستال
منطقة الحدادين الصناعية
06000 بجاية
هاتف: +213 (0) 982 400 991/2
فاكس: +213 (0) 3 420 1569
بريد إلكتروني: sav@siestal-dz.com

البحرين

شركة الجفلي وإخوانه للمعدات الفنية.
مملكة البحرين، العكر - بلوك 0624 - شارع 2403 -
مبنى 0055D
الهاتف: +97317704537
فاكس: +973177045257
البريد الإلكتروني: h.berjas@eajb.com.sa

مصر

RBEG-LLC
22 كمال الدين حسين
شيراتون هليوبوليس
القاهرة 11799
البريد الإلكتروني:
boschegypt.powertools@eg.bosch.com

العراق

Sahba Technology Group
شارع مطار المثنى
بغداد
هاتف بغداد: +964 (0) 7 901 930366
هاتف دبي: +971 (0) 4 422 1898
البريد الإلكتروني: duraid@sahbatechnology.com

الأردن

شركة الجذور العربية Roots Arabia - الأردن
شارع الحرية، المقابلين
عمان 11623، الأردن
صندوق بريد: 110068
هاتف: +962 6 4398990
البريد الإلكتروني: bosch@rootsjordan.com

فاكس: +216 71 428 621
بريد إلكتروني: sav.outillage@tn.bosch.com

الإمارات العربية المتحدة

المركزية للسيارات والمعدات،
صندوق بريد 26255، دبي
00971 (0) 4 3090920/3090930
أبو ظبي: 00971 (0) 2 4017745
الشارقة: 00971 (0) 6 5932777
العين: 00971 (0) 3 7157419
البريد الإلكتروني:
Mallappa.Madari@centralmotors.ae

اليمن

مؤسسة أبو الرجال التجارية
صنعاء، شارع الزبيرى. أمام مبنى البرلمان الجديد
هاتف: +967-1-202010
فاكس: +967-1-471917
بريد إلكتروني: /tech-tools@abualrejal.com
yahya@abualrejal.com

التخلص من العدة الكهربائية

ينبغي تسليم العدد الكهربائي والتوابع والعبوة إلى
مركز معالجة النفايات بطريقة محافظة على البيئة.
لا ترمم العدد الكهربائي ضمن النفايات
المنزلية.



مناسب برای محیط باز، خطر برق گرفتگی را کم می کنند.

◀ در صورت لزوم کار با ابزار برقی در محیط و اماکن مرطوب، باید از یک کلید حفاظتی جریان خطا و نشستی زمین (کلید قطع کننده اتصال با زمین) استفاده کنید. استفاده از کلید حفاظتی جریان خطا و نشستی زمین خطر برق گرفتگی را کاهش می دهد.

رعایت ایمنی اشخاص

◀ حواس خود را خوب جمع کنید، به کار خود دقت کنید و با فکر و هوشیاری کامل با ابزار برقی کار کنید. در صورت خستگی و یا در صورتی که مواد مخدر، الکل و دارو استفاده کرده‌اید، با ابزار برقی کار نکنید. یک لحظه بی توجهی هنگام کار با ابزار برقی، میتواند جراثم های شدیدی به همراه داشته باشد.

◀ از تجهیزات ایمنی شخصی استفاده کنید. همواره از عینک ایمنی استفاده نمایید.

استفاده از تجهیزات ایمنی مانند ماسک ضد گرد و غبار، کفشهای ایمنی ضد لغزش، کلاه ایمنی و گوشی محافظ متناسب با نوع کار با ابزار برقی، خطر مجروح شدن را کاهش میدهد.

◀ مواظب باشید که ابزار برقی بطور ناخواسته بکار نیفتد. قبل از وارد کردن دوشاخه دستگاه در پریز برق، اتصال آن به باتری، برداشتن آن و یا حمل دستگاه، باید دقت کنید که ابزار برقی خاموش باشد. در صورتی که هنگام حمل دستگاه انگشت شما روی دکمه قطع و وصل باشد و یا دستگاه را در حالت روشن به برق بزنید، ممکن است سوانح کاری پیش آید.

◀ قبل از روشن کردن ابزار برقی، همه ابزارهای تنظیم کننده و آپارها را از روی دستگاه بردارید. ابزار و آپارهایی که روی بخش های چرخنده دستگاه قرار دارند، میتوانند باعث ایجاد جراثم شوند.

◀ وضعیت بدن شما باید در حالت عادی قرار داشته باشد. برای کار جای مطمئنی برای خود انتخاب کرده و تعادل خود را همواره حفظ کنید. به این ترتیب میتوانید ابزار برقی را در وضعیتهای غیر منتظره بهتر تحت کنترل داشته باشید.

◀ لباس مناسب بپوشید. از پوشیدن لباسهای گشاد و حمل زینت آلات خودداری کنید. موها و لباس خود را از بخشهای در حال چرخش دستگاه دور نگه دارید. لباسهای گشاد، موی بلند و زینت آلات ممکن است در قسمتهای در حال چرخش دستگاه گیر کنند.

◀ در صورتی که تجهیزاتی برای اتصال وسائل مکش گرد و غبار و یا وسیله جمع کننده گرد و غبار ارائه شده است، باید مطمئن شوید که این وسائل درست نصب و استفاده می شوند. استفاده از وسائل مکش گرد و غبار مصونیت شما را در برابر گرد و غبار زیاده تر میکند.

◀ آشنایی با ابزار به دلیل کار کردن زیاد با آن نباید باعث سهل انگاری شما و نادیده گرفتن اصول ایمنی شود. بی دقتی ممکن است باعث بروز جراحاتی در عرض کسری از ثانیه شود.

فارسی

دستورات ایمنی

نکات ایمنی عمومی برای ابزارهای برقی

⚠ هشدار کلیه هشدارها، دستورالعملها، تصاویر و مشخصات ارائه شده به همراه ابزار برقی را مطالعه کنید. اشتباهات ناشی از عدم رعایت این دستورات ایمنی ممکن است باعث برق گرفتگی، سوختگی و یا سایر جراثم های شدید شود.

کلیه هشدارهای ایمنی و راهنماییها را برای آینده خوب نگهداری کنید.

عبارت «ابزار برقی» در هشدارها به ابزارهایی که به پریز برق متصل میشوند (با سیم برق) و یا ابزارهای برقی باتری دار (بدون سیم برق) اشاره دارد.

ایمنی محل کار

◀ محیط کار را تمیز و روشن نگه دارید. محیطهای در هم ریخته یا تاریک احتمال بروز حادثه را افزایش میدهند.

◀ ابزار برقی را در محیطهایی که خطر انفجار وجود دارد و حاوی مایعات، گازها و بخارهای متحرکه هستند، به کار نگیرید. ابزارهای برقی چرخههایی ایجاد میکنند که میتوانند باعث آتش گرفتن گرد و غبارهای موجود در هوا شوند.

◀ هنگام کار با ابزار برقی، کودکان و سایر افراد را از دستگاه دور نگه دارید. در صورتیکه حواس شما پرت شود، ممکن است کنترل دستگاه از دست شما خارج شود.

ایمنی الکتریکی

◀ دوشاخه ابزار برقی باید با پریز برق تناسب داشته باشد. هیچگونه تغییری در دوشاخه ایجاد نکنید. مبدل دوشاخه نباید همراه با ابزار برقی دارای اتصال زمین استفاده شود. دوشاخههای اصل و تغییر داده نشده و پریزهای مناسب، خطر برق گرفتگی را کاهش میدهند.

◀ از تماس بدنی با قطعات متصل به سیم اتصال زمین مانند لوله، شوفاژ، اجاق برقی و یخچال خودداری کنید. در صورت تماس بدنی با سطوح و قطعات دارای اتصال به زمین و همچنین تماس شما با زمین، خطر برق گرفتگی افزایش می یابد.

◀ ابزارهای برقی را در معرض باران و رطوبت قرار ندهید. نفوذ آب به ابزار برقی، خطر شوک الکتریکی را افزایش میدهد.

◀ از سیم دستگاه برای مقاصد دیگر استفاده نکنید. هرگز برای حمل ابزار برقی، کشیدن آن یا خارج کردن دوشاخه از سیم دستگاه استفاده نکنید. کابل دستگاه را از حرارت، روغن، لیبهای تیز یا قطعات متحرک دور نگه دارید. کابلهای آسیب دیده و یا گره خورده خطر شوک الکتریکی را افزایش میدهند.

◀ هنگام استفاده از ابزار برقی در محیطهای باز، تنها از کابل رابطی استفاده کنید که برای محیط باز نیز مناسب باشد. کابل های رابط

می آیند که ممکن است باعث زخمی شدن شما و یا خسارت دیدن کابل برق دستگاه بشوند.

توضیحات محصول و کارکرد

همه دستورات ایمنی و راهنماییها را بخوانید. اشتباهات ناشی از عدم رعایت این دستورات ایمنی ممکن است باعث برفگرفتگی، سوختگی و یا سایر جراحات های شدید شود.



به تصویرهای واقع در بخشهای اول دفترچه راهنما توجه کنید.

موارد استفاده از دستگاه

این ابزار برقی برای برش ورقهای فلزی بدون تغییر شکل مواد و قطعه کار در نظر گرفته شده است و برای برشهای مستقیم و برشهای منحنی با شعاع کم مناسب میباشد.

تصاویر اجزاء دستگاه

شماره های اجزاء دستگاه که در تصویر مشاهده میشود، مربوط به شرح ابزار برقی می باشد که تصویر آن در این دفترچه آمده است.

- (1) کلید قطع و وصل
- (2) مهره کولت برای ماتریس
- (3) پیچ نگهدارنده برای ماتریس
- (4) ماتریس
- (5) ابزار پانچ
- (6) پیچ توخالی برای اتصالات پانچ

مشخصات فنی

پانچ فلز بر (نیپلر)		GNA 2,0
شماره فنی		0 601 530 1..
توان ورودی نامی	W	500
توان خروجی	W	270
سرعت برش در حالت بدون بار n_0	min^{-1}	2400
سرعت برش در حالت دارای بار	min^{-1}	1500
حداکثر قطر ورق برش داده شده ^(A)	mm	2,0
پهنای نوار برش	mm	6
کمترین شعاع منحنی	mm	3
وزن مطابق استاندارد EPTA-Procedure 01:2014	kg	2,0
کلاس ایمنی		II/□

(A) بر اساس ورقهای فولادی تا 400 N/mm^2 مقادیر برای ولتاژ نامی [U] 230 ولت میباشد. برای ولتاژهای مختلف و تولیدات مخصوص کشورها، ممکن است این مقادیر متفاوت باشند.

استفاده صحیح از ابزار برقی و مراقبت از آن
از وارد کردن فشار زیاد روی دستگاه خودداری کنید. برای هر کاری، از ابزار برقی مناسب با آن استفاده کنید. بکار گرفتن ابزار برقی مناسب باعث میشود که بتوانید از توان دستگاه بهتر و با اطمینان بیشتر استفاده کنید.

در صورت ابراد در کلید قطع و وصل ابزار برقی، از دستگاه استفاده نکنید. ابزار برقی که نمی توان آنها را قطع و وصل کرد، خطرناک بوده و باید تعمیر شوند.

قبل از تنظیم ابزار برقی، تعویض متعلقات و یا کنار گذاشتن آن، دوشاخه را از برق بکشید و یا باتری آنرا خارج کنید. رعایت این اقدامات پیشگیری ایمنی از راه افتادن ناخواسته ابزار برقی جلوگیری می کند.

ابزار برقی را در صورت عدم استفاده، از دسترس کودکان دور نگه دارید و اجازه ندهید که افراد ناوارد و یا اشخاصی که این دفترچه راهنما را نخواندهاند، با این دستگاه کار کنند. قرار گرفتن ابزار برقی در دست افراد ناوارد و بی تجربه خطرناک است.

از ابزار برقی و متعلقات خوب مراقبت کنید. مواظب باشید که قسمت های متحرک دستگاه خوب کار کرده و گیر نکنند. همچنین دقت کنید که قطعات ابزار برقی شکسته و یا آسیب دیده نباشند. قطعات آسیب دیده را قبل از شروع به کار تعمیر کنید. علت بسیاری از سوانح کاری، عدم مراقبت کامل از ابزارهای برقی می باشد.

ابزار برش را تیز و تمیز نگه دارید. ابزار برشی که خوب مراقبت شده و از لبه های تیز برخوردار است، کمتر در قطعه کار گیر کرده و بهتر قابل هدایت است.

ابزار برقی، متعلقات، متهای دستگاه و غیره را مطابق دستورات این جزوه راهنما به کار گیرید و به شرایط کاری و نوع کار نیز توجه داشته باشید. استفاده از ابزار برقی برای عملیاتی به جز مقاصد در نظر گرفته شده، میتواند به بروز شرایط خطرناک منجر شود.

دستها و سطوح عایق را همواره خشک، تمیز و عاری از روغن و گریس نگه دارید. دسته های لغزنده مانع ایمنی و کنترل در کار در شرایط غیر منتظره هستند.

سرویس

برای تعمیر ابزار برقی فقط به متخصصین حرفهای رجوع کنید و از قطعات یدکی اصل استفاده نمایید. این باعث خواهد شد که ایمنی دستگاه شما تضمین گردد.

دستورات ایمنی برای میخکوب

ابزار برقی برای کار ثابت روی میز مناسب نیست. مثلاً نباید در گیره روی میز مهار شود یا روی میز کار بسته شود.

هنگام کار از دستکش ایمنی استفاده کنید و بخصوص به کابل برق توجه کنید. در ورقه های فلزی بریده شده لبه ها و تیغ های تیزی بوجود

به وسیله این ابزار برقی میتوان فلزات به ضخامت زیر را برش داد:

قطعه کار	حداکثر استحکام (N/mm ²)	d _{max} (mm)
فولاد	400	2,0
	600	1,4
	800	1,0
آلومینیوم	200	2,5

نحوه روغن کاری/خنک کردن ابزار پانچ

برای اینکه چرخه عمر ابزار پانچ (5) افزایش یابد، باید از یک روان کننده با قابلیت خنک کنندگی خوب (برای مثال روغن برش) استفاده نمایید.

یک نوار از روان کننده را روی قسمت بالای ورق و در طول خط برش مشخص شده بریزید.

هنگام کار طولانی یا کار با سایش زیاد (برای مثال برش آلومینیوم) باید ابزار مورد استفاده را در بازه‌های زمانی منظم درون محفظه حاوی روان کننده فرو ببرید.

نحوه برش از روی الگو و یا برش با شابلون

چنانچه با ابزار برقی در امتداد یک خط کش برش بدهید، آسانتر میتوانید برشهای صاف را انجام بدهید.

اطراف و خطوط کناری را میتوان از طریق هدایت ابزار برقی در امتداد یک شابلون برش داد.

برای برشهای داخلی، سوراخی به قطر 16 میلیمتر ضروری است.

مراقبت و سرویس

مراقبت، تعمیر و تمیز کردن دستگاه

پیش از انجام هرگونه کاری بر روی ابزار الکتریکی، دوشاخه اتصال آنرا از داخل پریز برق بیرون بکشید.

ابزار الکتریکی و شپارهای تهویه آنرا تمیز نگاه دارید، تا ایمنی شما در کار تضمین گردد.

در صورت نیاز به یک کابل پدکی برای اتصال به شبکه برق، بایستی به شرکت **Bosch** و یا به نمایندگی مجاز **Bosch** (خدمات پس از فروش) برای ابزار آلات برقی مراجعه کنید تا از بروز خطرات ایمنی جلوگیری بعمل آید.

ابزار پانچ (5) و ماتریس (4) را در هر 3 ساعت کار تمیز و روغنکاری نمایید.

در صورت استهلاک ابزار پانچ و قالب (ماتریس)، آنها را به موقع تعویض کنید، زیرا فقط ابزار برش تیز قادر به ایجاد برشهای مطلوب و دقیق هستند و از آسیب دیدگی ابزار برقی جلوگیری بعمل میآورند و باعث افزایش طول عمر دستگاه میشوند.

ابزار پانچ (5) و ماتریس (4) نباید ساییده شوند.

تعویض ماتریس

هنگامی که ماتریس (4) قفل میشود، پیچ نگهدارنده (3) را شل کنید.

مهده کولت (2) را با یک آچار تخت (اندازه آچار 30 میلیمتر) باز کنید. ماتریس (4) را بیرون بکشید.

طرز کار با دستگاه

راه اندازی و نحوه کاربرد دستگاه

به ولتاژ شبکه برق توجه کنید! ولتاژ منبع جریان برق باید با مقادیر موجود بر روی پرچسب ابزار الکتریکی مطابقت داشته باشد. ابزارهای برقی را که با ولتاژ 230 V ولت مشخص شده اند، می توان تحت ولتاژ 220 V ولت نیز بکار برد.

روشن/خاموش کردن

برای روشن کردن ابزار برقی، کلید روشن/

خاموش (1) را به سمت جلو هدایت کنید به طوری که علامت ا روی کلید مشاهده شود.

برای خاموش کردن ابزار برقی، کلید روشن/

خاموش (1) را به سمت عقب هدایت کنید به طوری که علامت 0 روی کلید مشاهده شود.

نحوه قفل/باز کردن ماتریس

برای برش مستقیم، پیچ نگهدارنده (3) را با یک آچار آلن (اندازه آچار 2,5 میلیمتر) بکشید، تا ماتریس (4) قفل شود.

پیچ نگهدارنده (3) را برای برش منحنی آزاد کنید.

ماتریس (4) اکنون برای حرکت آزاد است و به راحتی در جهت نیروی وارده قرار میگیرد.

راهنماییهای عملی

پیش از انجام هرگونه کاری بر روی ابزار الکتریکی، دوشاخه اتصال آنرا از داخل پریز برق بیرون بکشید.

ابزار برقی برای کار ثابت روی میز مناسب نیست. مثلاً نباید در گیره روی میز مهار شود یا روی میز کار بسته شود.

هنگام کار از دستکش ایمنی استفاده کنید و بخصوص به کابل برق توجه کنید. در ورقه های فلزی بریده شده لبه ها و تیغ های تیزی بوجود می آیند که ممکن است باعث زخمی شدن شما و یا خسارت دیدن کابل برق دستگاه بشوند.

هنگام کار با قطعه برش دهنده، احتیاط کنید. ذرات و قطعات فلزات بسیار بزرگ هستند و میتوانند باعث ایجاد جراحات شوند.

ابزار برقی را منحصراً در حالت روشن بودن آن روی قطعه کار هدایت کنید. ابزار برقی را به طور جانبی نگه ندارید و متمایل روی قطعه کار قرار ندهید.

عمل برش حین حرکت رو به بالای ابزار پانچ صورت میگیرد. ابزار برقی را با فشار کم و متعادل در جهت برش برانید. فشار زیاد از طول عمر ابزارها میکاهد و به ابزار برقی آسیب میرساند.

چنانچه ابزار پانچ به هنگام برش گیر کرد، ابزار برقی را خاموش کنید، ابزار پانچ را روغنکاری کنید و همچنین ورق فلز را کمی آزاد کنید. از اعمال نیرو خودداری کنید، زیرا در غیر اینصورت امکان آسیب دیدن ابزار پانچ و قالب (ماتریس) وجود دارد.

حداکثر ضخامت ورقه فلز برای برش

حداکثر ضخامت برش ورق d_{max} به محکم بودن موادی که قرار است روی آنها کار شود، بستگی دارد.

یک ماتریس (4) جدید که به خوبی روغنکاری شده باشد، قرار دهید. مهره کولت (2) را دوباره محکم کنید.

تعویض ابزار پانچ

برای تعویض ابزار پانچ (5) ماتریس (4) را طبق توضیحات بالا جدا نمایید.

سپس پیچ سوراخ دار (6) را جدا کرده و ابزار پانچ (5) را بردارید.

یک ابزار پانچ (5) جدید که خوب روغنکاری شده باشد، قرار داده و آن را با یک پیچ سوراخ دار (6) محکم نمایید. ماتریس (4) را طبق توضیحات بالا دوباره محکم نمایید.

متعلقات/قطعات یدکی

2 608 639 900	ماتریس (عمومی)
	ابزار پانچ:
2 608 639 013	- برای برش منحنی
2 608 639 016	- برای برش صاف
2 608 639 022	- عمومی
	برای ورقهای پروفیل و شیاردار تا ضخامت 1,2 میلیمتر:
2 608 639 021	- ماتریس
2 608 639 902	- مجموعه (ابزار پانچ/ماتریس)

خدمات و مشاوره با مشتریان

خدمات مشتری، به سؤالات شما درباره تعمیرات، سرویس و همچنین قطعات یدکی پاسخ خواهد داد. نقشه‌های سه بعدی و اطلاعات مربوط به قطعات یدکی را در تارنمای زیر مییابید:

www.bosch-pt.com

گروه مشاوره به مشتریان Bosch با کمال میل به سؤالات شما درباره محصولات و متعلقات پاسخ می‌دهند.

برای هرگونه سؤال و یا سفارش قطعات یدکی، حتماً شماره فنی 10 رقمی کالا را مطابق برجسب روی ابزار برقی اطلاع دهید.

ایران

روبرت بوش ایران - شرکت بوش تجارت پارس
میدان ونک، خیابان شهید خدای، خیابان آفتاب
ساختمان مادران، شماره 3، طبقه سوم.
تهران 1994834571
تلفن: 9821+ 42039000

از رده خارج کردن دستگاه

ابزار برقی، متعلقات و بسته بندی آن، باید طبق مقررات حفظ محیط زیست از رده خارج و بازیافت شوند.

ابزارهای برقی را داخل زباله دان خانگی نیندازید!

