

# Sterngriffe ähnlich DIN 6336, Außengewinde, Form L

## Artikelbeschreibung/Produktabbildungen



### Beschreibung

#### Werkstoff:

Duroplast PF 31, schwarz.

Gewindebolzen Stahl verzinkt, blau passiviert.

#### Ausführung:

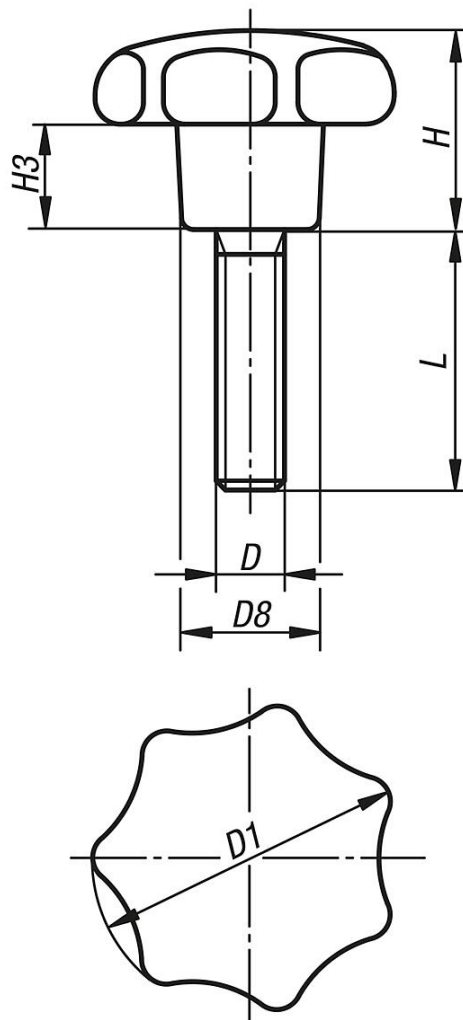
hochglanzpoliert.

#### Auf Anfrage:

Weitere Farben.

## Zeichnungen

Ⓛ



## Artikelübersicht

| Bestellnummer  | Form | D  | D1 | D8 | H  | H3 | L  |
|----------------|------|----|----|----|----|----|----|
| K0152.42505X15 | L    | M5 | 25 | 12 | 16 | 8  | 15 |
| K0152.42505X20 | L    | M5 | 25 | 12 | 16 | 8  | 20 |
| K0152.42505X25 | L    | M5 | 25 | 12 | 16 | 8  | 25 |
| K0152.43206X15 | L    | M6 | 32 | 14 | 20 | 10 | 15 |

## Sterngriffe ähnlich DIN 6336, Außengewinde, Form L

### Artikelübersicht

| Bestellnummer  | Form | D   | D1 | D8 | H  | H3 | L  |
|----------------|------|-----|----|----|----|----|----|
| K0152.43206X20 | L    | M6  | 32 | 14 | 20 | 10 | 20 |
| K0152.43206X25 | L    | M6  | 32 | 14 | 20 | 10 | 25 |
| K0152.43206X30 | L    | M6  | 32 | 14 | 20 | 10 | 30 |
| K0152.44008X20 | L    | M8  | 40 | 18 | 25 | 12 | 20 |
| K0152.44008X25 | L    | M8  | 40 | 18 | 25 | 12 | 25 |
| K0152.44008X30 | L    | M8  | 40 | 18 | 25 | 12 | 30 |
| K0152.44008X35 | L    | M8  | 40 | 18 | 25 | 12 | 35 |
| K0152.44008X40 | L    | M8  | 40 | 18 | 25 | 12 | 40 |
| K0152.45010X25 | L    | M10 | 50 | 22 | 32 | 16 | 25 |
| K0152.45010X30 | L    | M10 | 50 | 22 | 32 | 16 | 30 |
| K0152.45010X35 | L    | M10 | 50 | 22 | 32 | 16 | 35 |
| K0152.45010X40 | L    | M10 | 50 | 22 | 32 | 16 | 40 |
| K0152.45010X50 | L    | M10 | 50 | 22 | 32 | 16 | 50 |
| K0152.46312X30 | L    | M12 | 63 | 26 | 40 | 19 | 30 |
| K0152.46312X35 | L    | M12 | 63 | 26 | 40 | 19 | 35 |
| K0152.46312X40 | L    | M12 | 63 | 26 | 40 | 19 | 40 |
| K0152.46312X50 | L    | M12 | 63 | 26 | 40 | 19 | 50 |
| K0152.46312X60 | L    | M12 | 63 | 26 | 40 | 19 | 60 |
| K0152.48016X30 | L    | M16 | 80 | 35 | 50 | 25 | 30 |
| K0152.48016X40 | L    | M16 | 80 | 35 | 50 | 25 | 40 |
| K0152.48016X50 | L    | M16 | 80 | 35 | 50 | 25 | 50 |
| K0152.48016X60 | L    | M16 | 80 | 35 | 50 | 25 | 60 |